

# iArmor®

## IARMOR EDGE™

PART#: IA-N313H

### BEFORE INSTALLATION

REMOVE CONTENTS FROM BOX. VERIFY ALL PARTS ARE PRESENT. READ INSTRUCTIONS CAREFULLY BEFORE STARTING INSTALLATION. ASSISTANCE IS RECOMMENDED. THANK YOU FOR CHOOSING OUR PRODUCT!

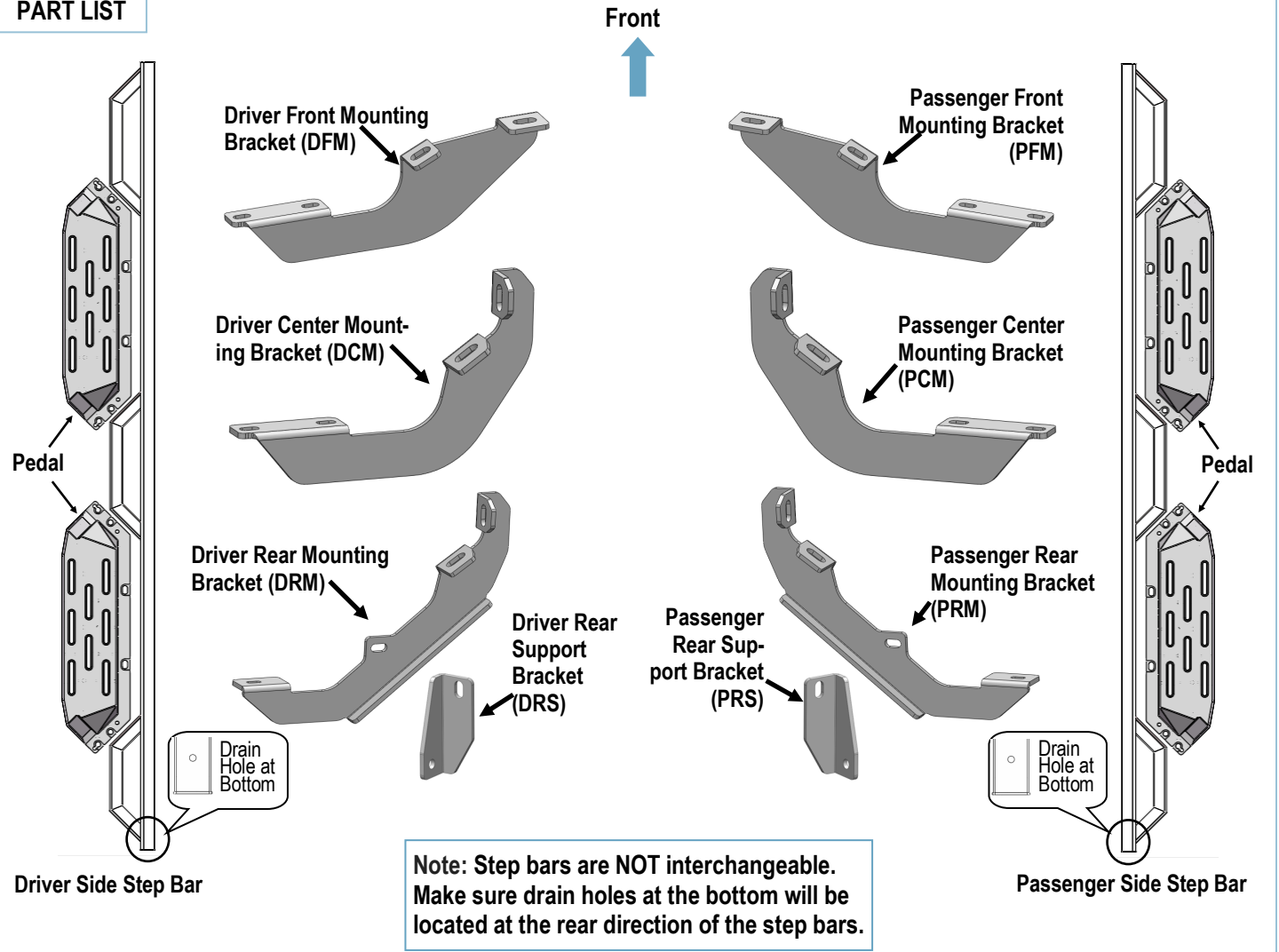
\*ROCKER PANEL MOUNT

\*DRILLING NOT REQUIRED

### Torque Value

Fastener Size	Tightening Torque (ft-lbs)	Required
6mm	6-7	✓
8mm	16-18	✓
10mm	31-32	✓
12mm	56-58	X
14mm	92-94	X

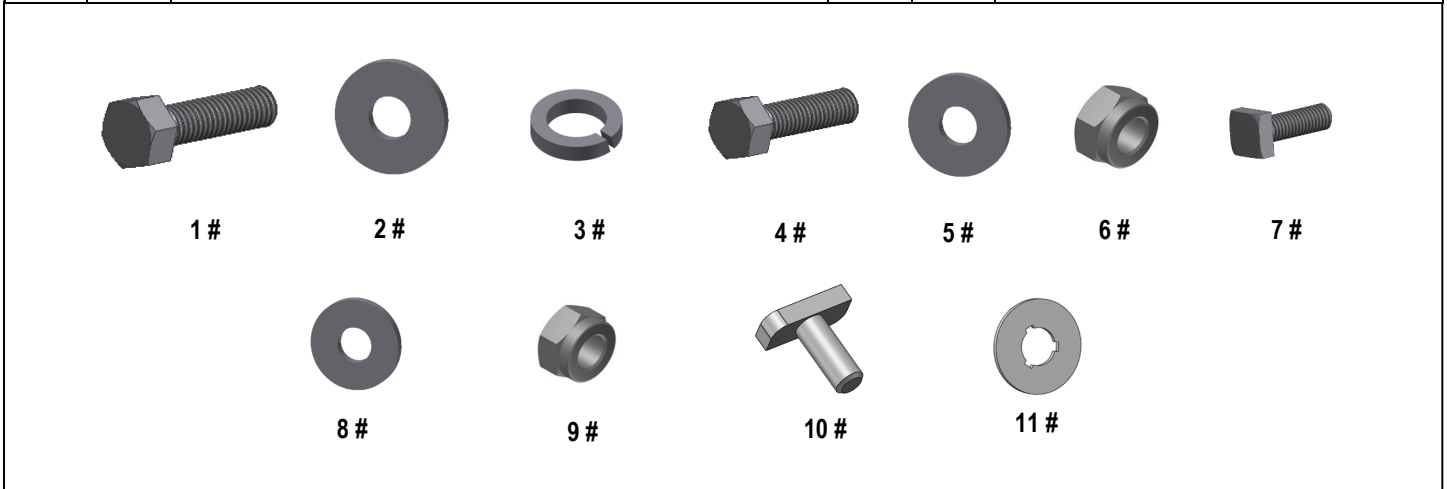
### PART LIST



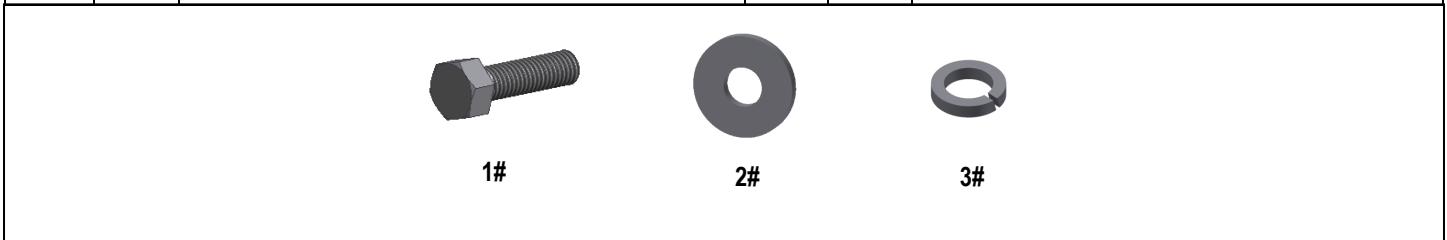
Customer Support: [info@iarmorauto.com](mailto:info@iarmorauto.com)

# iArmor®

Hardware Package A (For Brackets & Bars Installation)					
Item	QTY	Description	Item	QTY	Description
1#	12	M10X1.5-25 Hex Bolts	7#	2	M6X1-20 Square Head Bolts
2#	12	M10 Large Flat Washers	8#	2	M6 Large Flat Washers
3#	12	M10 Lock Washers	9#	2	M6X1 Nylon Lock Nuts
4#	2	M8X1.25-30 Hex Bolts	10#	10	M8X1.25-20 T-Bolts
5#	14	M8 Large Flat Washers	11#	10	M8 Plastic Washers
6#	12	M8 Nylon Lock Nuts			



Hardware Package B (For Step Pedals Installation)					
Item	QTY	Description	Item	QTY	Description
1#	24	M8X1.25-25 Hex Bolts	3#	24	M8 Lock Washers
2#	24	M8 Large Flat Washers			



Customer Support: [info@iarmorauto.com](mailto:info@iarmorauto.com)

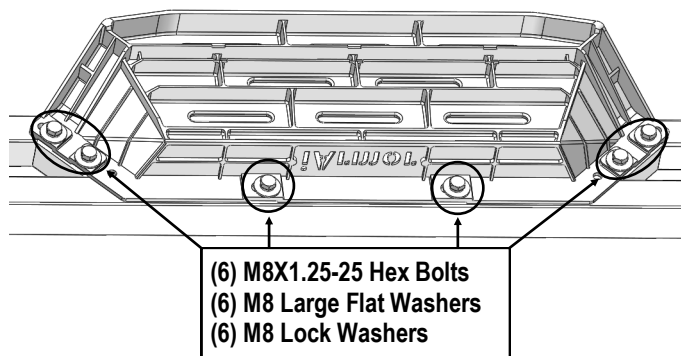
# iArmor®

The instruction here is for your reference only. We strongly recommend the professional installer for best result. We are not responsible for any damage caused by the installation.

## STEP 1

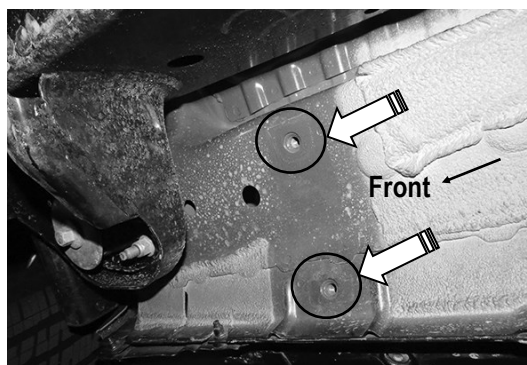
Install (4) Pedals onto the step bars with (24) M8X1.25-25mm Hex Bolts, (24) M8 Large Flat Washers and (24) M8 Lock Washers.

**IMPORTANT:** Don't punch the pedal with any metal hammer within pedal installation, or the pedal will be damaged.



## STEP 2

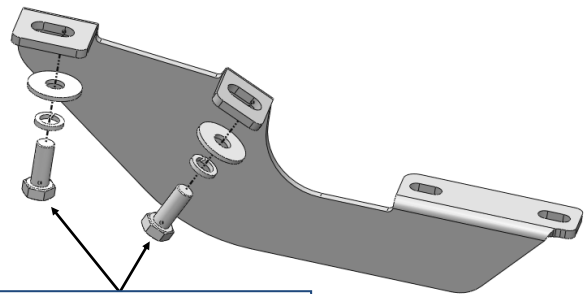
Start the installation under the passenger side of the vehicle. Locate the front factory mounting location along the inner side of the body panel, (Fig 1).



(Fig 1) Passenger Side Front Mounting Location

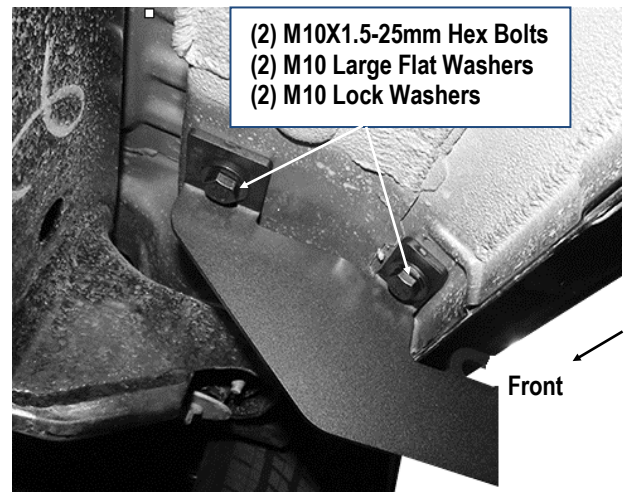
## STEP 3

Remove the plastic plugs covering the mounting holes. Select Passenger Front Mounting Bracket (PFM), (Fig 2). Attach to Passenger side front mounting location with (2) M10x1.5-25mm Hex Bolts, (2) M10 Lock Washers and (2) M10 Large Flat Washers, (Figs 2 & 3). Do not fully tighten hardware at this time.



(2) M10X1.5-25mm Hex Bolts  
(2) M10 Large Flat Washers  
(2) M10 Lock Washers

(Fig 2) Passenger Front Mounting Bracket Installation

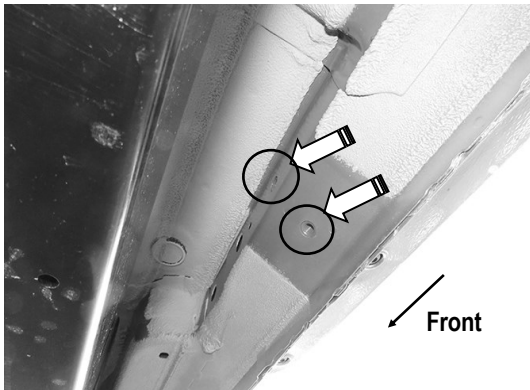


(Fig 3) Passenger Front Mounting Bracket Installed

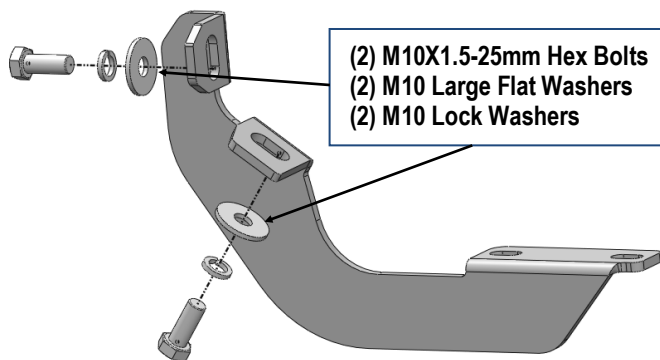
# iArmor®

## STEP 4

Locate the Center threaded mounting holes. Select (1) Passenger Center Mounting Bracket (**PCM**). Attach with (2) M10x1.5-25mm Hex Bolts, (2) M10 Lock Washers and (2) M10 Large Flat Washers, (**Figs 4 & 5**). Do not fully tighten hardware at this time.



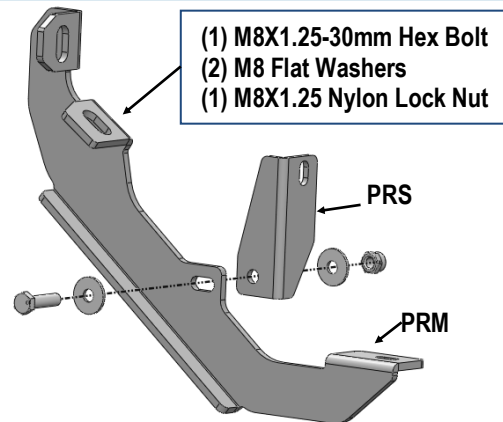
(Fig 4) Passenger Side Center Mounting Location



(Fig 5) Passenger Center Mounting Bracket Installation

## STEP 5

Attach the Passenger Rear Support Bracket (**PRS**) to the Passenger Rear Mounting Bracket (**PRM**) with (1) M8X1.25-30mm Hex Bolt, (2) M8 Large Flat Washers and (1) M8X1.25 Lock Nut, (**Fig 6**). Do not fully tighten hardware at this time.



(Fig 6) Passenger Rear Brackets Assembly

## STEP 6

Repeat **Step 4** to install the assembled Passenger Rear Mounting Bracket, (**Fig 7**). Do not fully tighten hardware at this time.



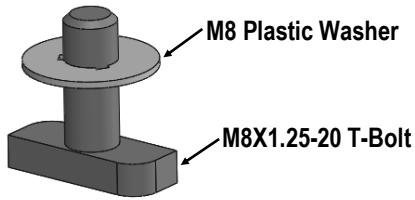
(Fig 7) Passenger Rear Mounting Bracket Installed

## STEP 7

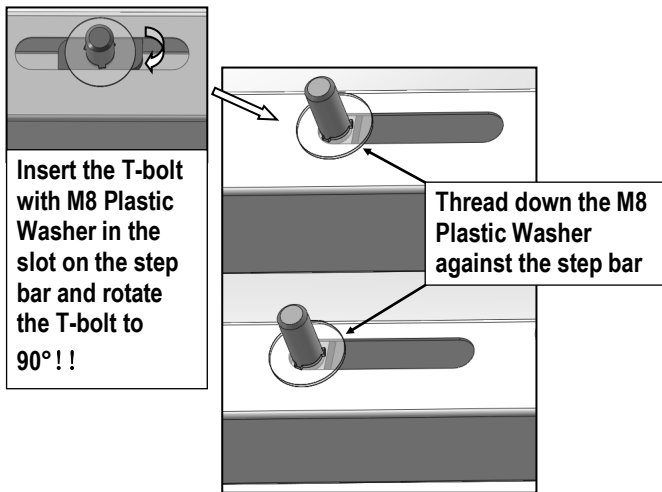
Once all (3) brackets have been installed, select (5) M8X1.25-20mm T-Bolts, thread (1) M8 Plastic Washer on each T-Bolt, (**Fig 8**). Install the (5) M8X1.25-20mm T-Bolts with plastic washers in the slots on the assembled step bar. Rotate the T-Bolts to 90 degree, thread down the M8 Plastic Washers against the step bar (**Fig 9**).

**NOTE:** The Plastic Washer is designed to keep the T-Bolt in place to avoid falling into the tube during installation.

# iArmor<sup>®</sup>



(Fig 8) Thread (1) M8 Plastic Washer on each T-Bolt Before Inserting into the slot !!!



(Fig 9) T-Bolt with plastic washer in the slot

## STEP 8

Attach the Assembled Passenger Side Step Bar onto the Mounting Brackets with (5) M8 Plastic Washers, (5) M8X1.25-20mm T-Bolts, (5) M8 Large Flat Washers, (5) M8 Nylon Lock Nuts, (Fig 10). Do not fully tighten hardware at this time.

**NOTE:** Passenger Rear Mounting Bracket is located under (1) pedal. Slide (1) M6X1-20mm Square Head Bolt into the channel at the bottom of pedal (Fig 11). And secure the Passenger Rear Mounting Bracket to pedal with (1) M6 Large Flat Washer and (1) M6 Nylon Lock Nut, (Fig 10). Do not fully tighten hardware at this time.

## STEP 9

Level and adjust the assembled Step Bar properly and tighten all hardware.

Move to the other side of the vehicle. Repeat **Steps 2-8** for the other Side Step Bar installation.

### Attention

Do periodic inspections to the installation to make sure that all hardware is secure and tight.

In order to protect your bars/boards, please use mild soap/non-abrasive products for cleaning only.

# iArmor<sup>®</sup>

