

# iArmor®

## IARMOR EDGE™

PART#: IA-N134H

### BEFORE INSTALLATION

REMOVE CONTENTS FROM BOX. VERIFY ALL PARTS ARE PRESENT. READ INSTRUCTIONS CAREFULLY BEFORE STARTING INSTALLATION. ASSISTANCE IS RECOMMENDED. THANK YOU FOR CHOOSING OUR PRODUCT!

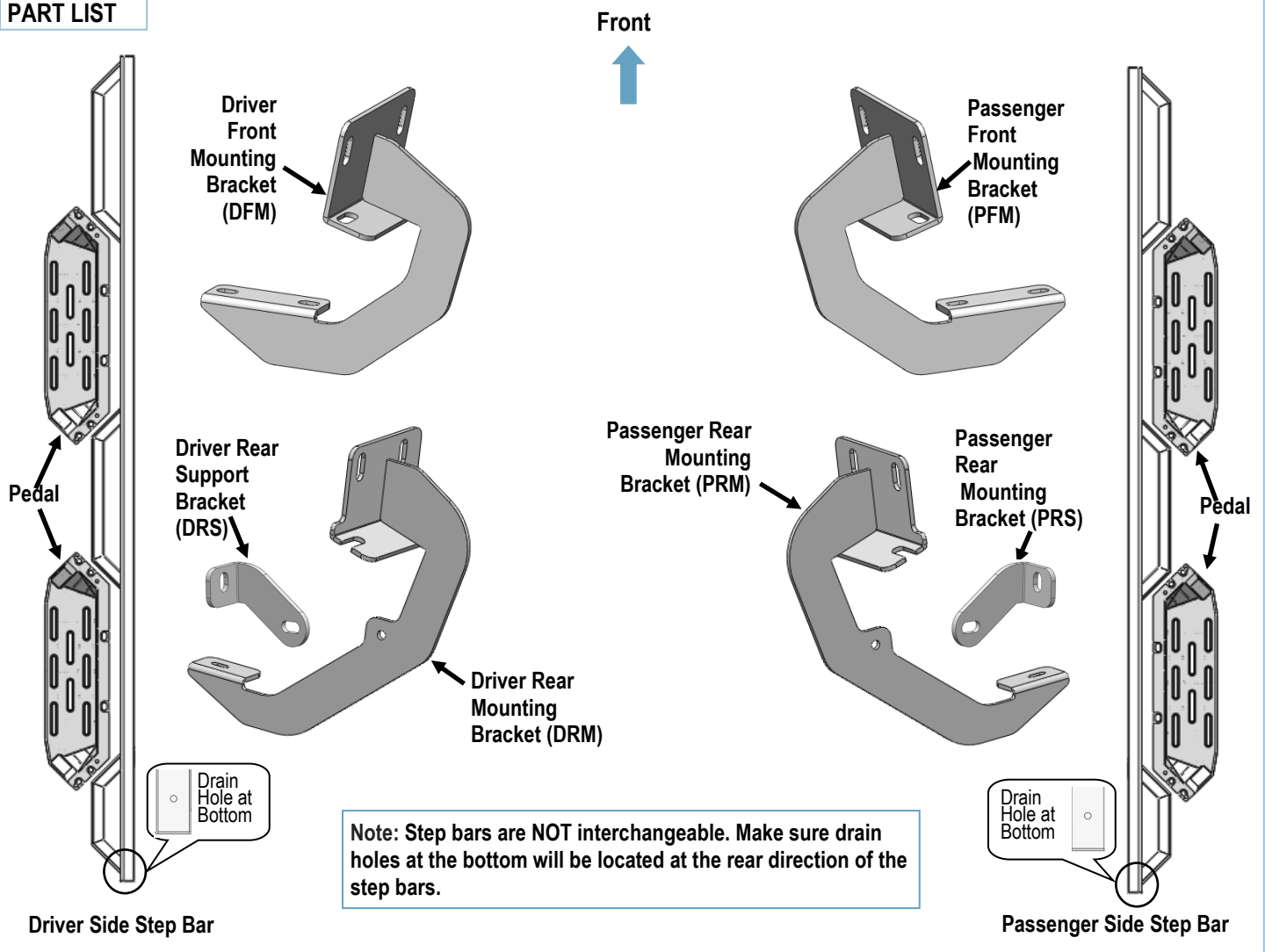
\*ROCKER PANEL MOUNT

\*DRILLING NOT REQUIRED

### Torque Value

Fastener Size	Tightening Torque (ft-lbs)	Required
6mm	6-7	√
8mm	16-18	√
10mm	31-32	X
12mm	56-58	X
14mm	92-94	X

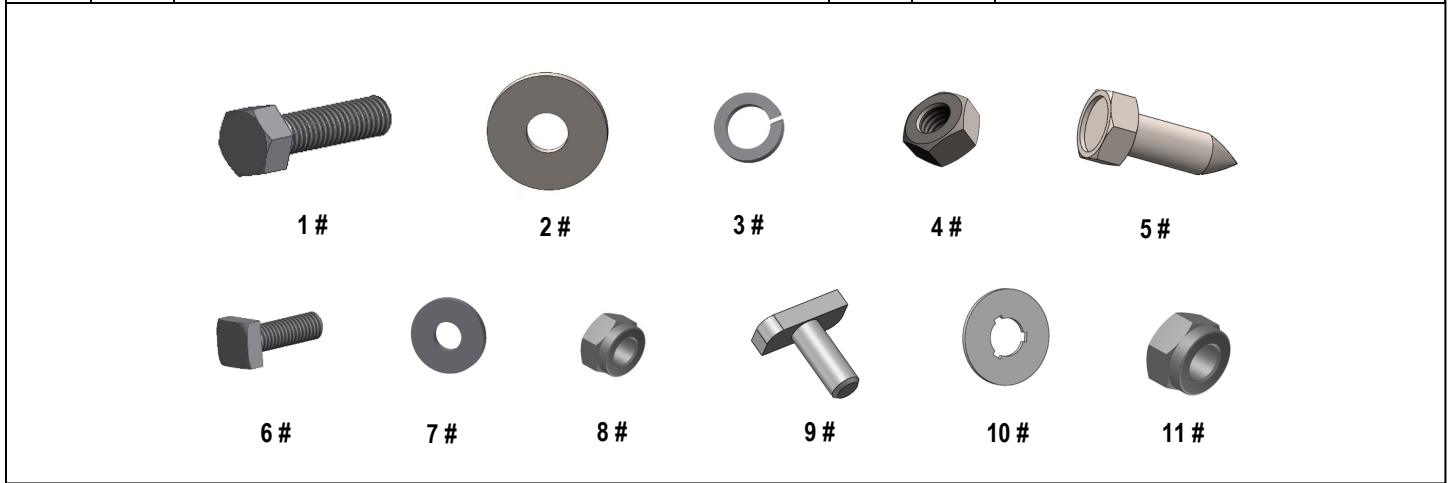
### PART LIST



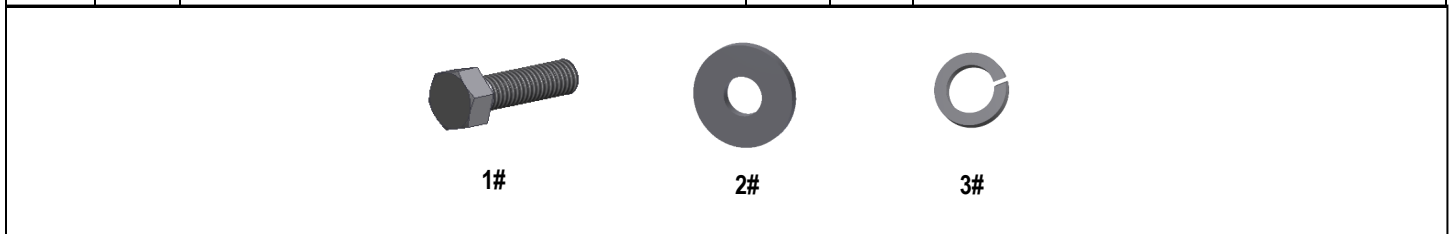
Customer Support: [info@iarmorauto.com](mailto:info@iarmorauto.com)

# iArmor®

Hardware Package A (For Brackets & Bars Installation)					
Item	QTY	Description	Item	QTY	Description
1#	18	M8X1.25-25mm Hex Bolts	7#	2	M6 Large Flat Washers
2#	34	M8 Large Flat Washers	8#	2	M6 Nylon Lock Nuts
3#	18	M8 Lock Washers	9#	6	M8X1.25-20 T-Bolts
4#	10	M8 Hex Nuts	10#	6	M8 Plastic Washers
5#	8	ST8X25mm Hex Self Tapping Screws	11#	6	M8 Nylon Lock Nuts
6#	2	M6X1-20 Square Head Bolts			



Hardware Package B (For Step Pedals Installation)					
Item	QTY	Description	Item	QTY	Description
1#	24	M8X1.25-25 Hex Bolts	3#	24	M8 Lock Washers
2#	24	M8 Large Flat Washers			



Customer Support: [info@iarmorauto.com](mailto:info@iarmorauto.com)

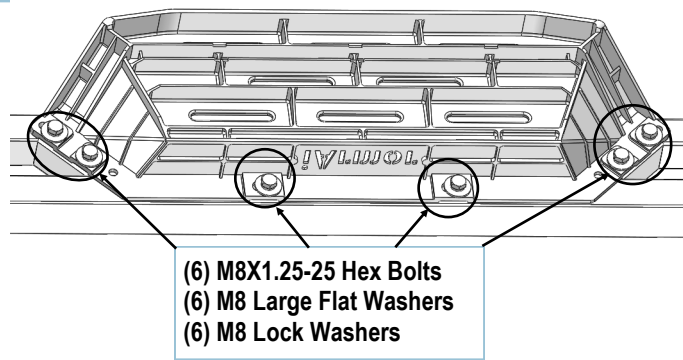
# iArmor®

The instruction here is for your reference only. We strongly recommend the professional installer for best result. We are not responsible for any damage caused by the installation.

## STEP 1

Install (4) Pedals onto the step bars with (24) M8X1.25-25mm Hex Bolts, (24) M8 Large Flat Washers and (24) M8 Lock Washers.

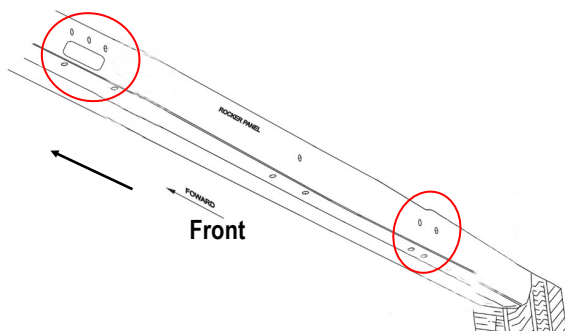
**IMPORTANT:** Don't punch the pedal with any metal hammer within pedal installation, or the pedal will be damaged.



## STEP 2

Identify the Passenger side mounting locations along the inner side of the rocker panel, remove tapes on the inside of rocker panel that covers the mounting holes, if equipped (Fig 1).

**NOTE:** It will be helpful for identifying the mounting holes to hold up a mounting bracket in place.



(Fig 1) Passenger Side Mounting Locations

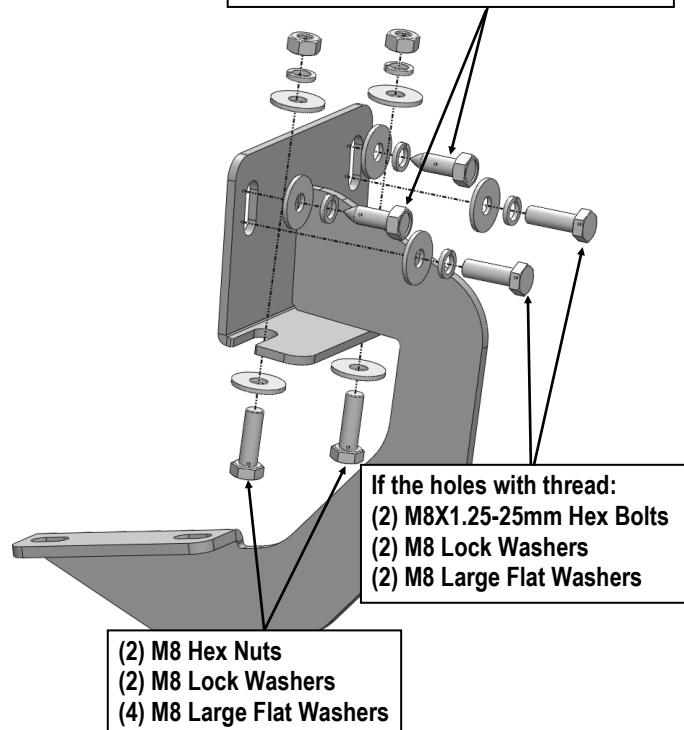
## STEP 3

Attach passenger front mounting bracket (PFM) to the upper front mounting holes with (2) M8X1.5-25mm Hex Bolts, (2) M8 Lock Washers and (2) M8 Large Flat Washers. Do not fully tighten hardware at this time.

**Note:** Use (2) ST8X25mm Hex Self Tapping Screws replace (2) M8X1.25-25mm Hex Bolts if the factory holes are not tapped for M8 bolts, (Fig 2).

Secure the lower mounting holes to underside of rocker panel with (2) M8 Hex Nuts, (2) M8 Lock Washers and (4) M8 Large Flat Washers, (Fig 2). Do not fully tighten hardware at this time.

If the holes Without thread:  
(2) ST8x25mm Hex Self Tapping Screws  
(2) M8 Lock Washers  
(2) M8 Large Flat Washers

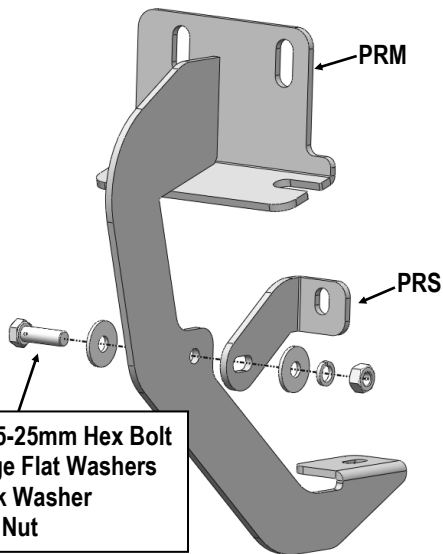


(Fig 2) Passenger Front Mounting Bracket Installation

# iArmor®

## STEP 4

Assemble Passenger Rear Mounting Bracket (**PRM**) and Passenger Rear Support Bracket (**PRS**) with (1) M8X1.25-25mm Hex Bolt, (2) M8 Large Flat Washers, (1) M8 Lock Washer and (1) M8 Hex Nut, (**Fig 3**). Do not fully tighten hardware at this time.



(Fig 3) Passenger Rear Mounting Brackets Assembly

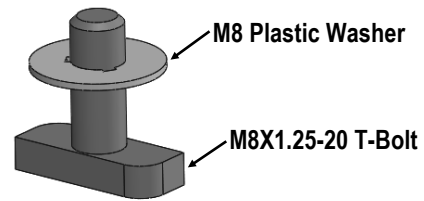
## STEP 5

Move to Passenger Rear Mounting Location. Repeat **Step 3** to install Passenger Rear Mounting Brackets. Do not fully tighten hardware at this time.

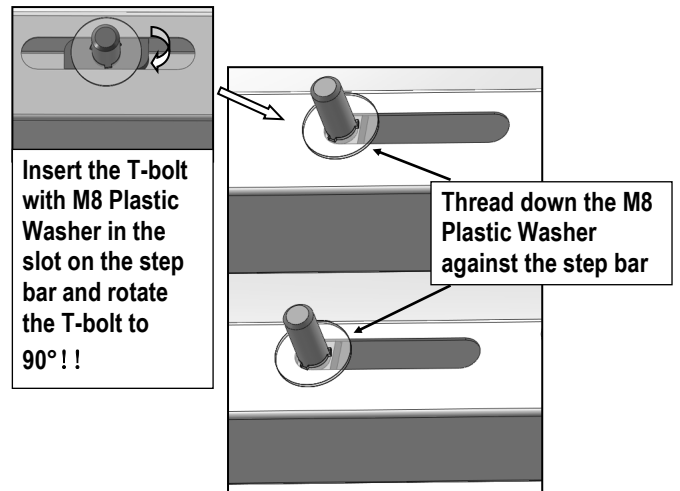
## STEP 6

Once all (2) brackets have been installed, select (3) M8X1.25-20mm T-Bolts, thread (1) M8 Plastic Washer on each T-Bolt, (**Fig 4**). Install the (3) M8X1.25-20mm T-Bolts with plastic washers in the slots on the assembled Passenger side step bar. Rotate the T-Bolts to 90 degree, thread down the M8 Plastic Washers against the step bar (**Fig 5**).

**NOTE:** The Plastic Washer is designed to keep the T-Bolt in place to avoid falling into the tube during installation.



(Fig 4) Thread (1) M8 Plastic Washer on each T-Bolt Before Inserting into the slot !!!



(Fig 5) T-Bolt with plastic washer in the slot

## STEP 7

Attach the Assembled Passenger Side Step Bar onto the Mounting Brackets with (3) M8 Plastic Washers, (3) M8X1.25-20mm T-Bolts, (3) M8 Large Flat Washers, (3) M8 Nylon Lock Nuts, (**Fig 6**). Do not fully tighten hardware at this time.

**NOTE:** Passenger Rear Mounting Bracket is located under the rear pedal. Slide (1) M6X1-20mm Square Head Bolts into the channels at the bottom of the rear pedal (**Fig 7**). And secure the Passenger Rear Mounting Bracket to the pedal with (1) M6 Large Flat Washer and (1) M6 Nylon Lock Nut, (**Fig 6**). Do not fully tighten hardware at this time.

# iArmor®

## STEP 8

Level and adjust the assembled Step Bar properly and tighten all hardware.

Move to the other side of the vehicle. Repeat **Steps 2-7** for the other Side Step Bar installation.

### Attention

Do periodic inspections to the installation to make sure that all hardware is secure and tight.

In order to protect your bars/boards, please use mild soap/non-abrasive products for cleaning only.

