

iArmor®

IARMOR EDGE™

PART#: IA-N134

BEFORE INSTALLATION

REMOVE CONTENTS FROM BOX. VERIFY ALL PARTS ARE PRESENT. READ INSTRUCTIONS CAREFULLY BEFORE STARTING INSTALLATION. ASSISTANCE IS RECOMMENDED. THANK YOU FOR CHOOSING OUR PRODUCT!

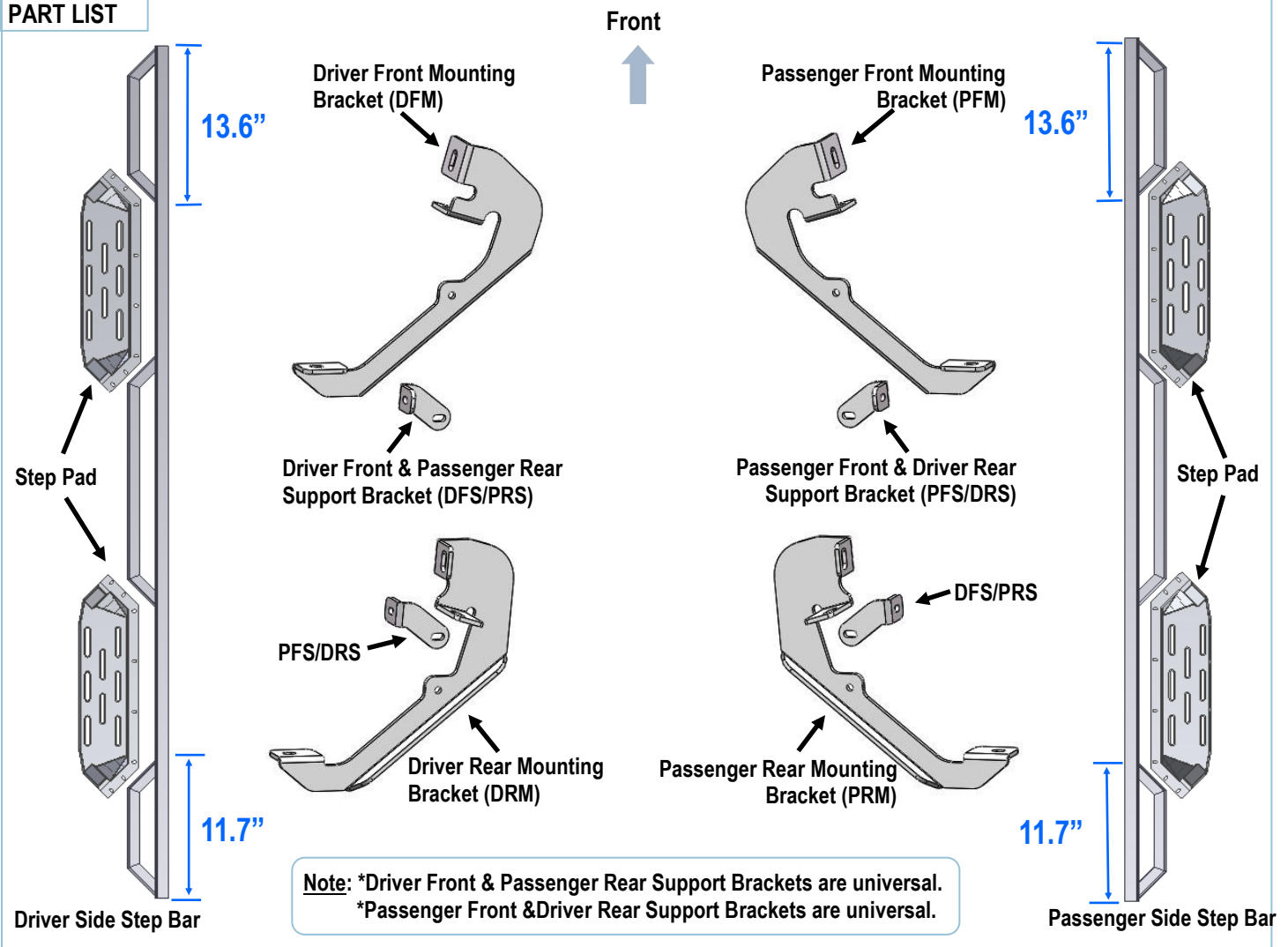
*DRILLING NOT REQUIRED

*TRIMMING NOT REQUIRED

Torque Value

Fastener Size	Tightening Torque (ft-lbs)	Required
6mm	6-7	√
8mm	16-18	√
10mm	31-32	X
12mm	56-58	X
14mm	92-94	X

PART LIST



Customer Support: info@iarmorauto.com

iArmor®



X12

M8X1.25-25mm Hex Bolt



X20

M8 Large Flat Washer



X12

M8 Lock Washer



X8

M8 Hex Nut



X4

ST8x25mm Hex Self Tapping
Screws



X8

M6X1-20mm
Square Head Bolt



X32

M6X1-20mm T-Bolt



X40

M6 Large Flat
Washer



X40

M6 Nylon Lock
Nut

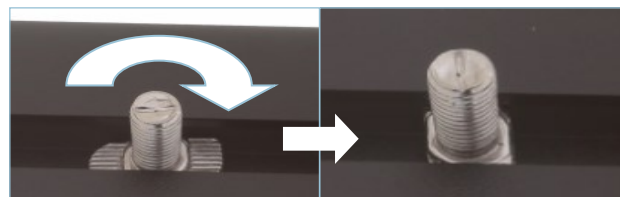
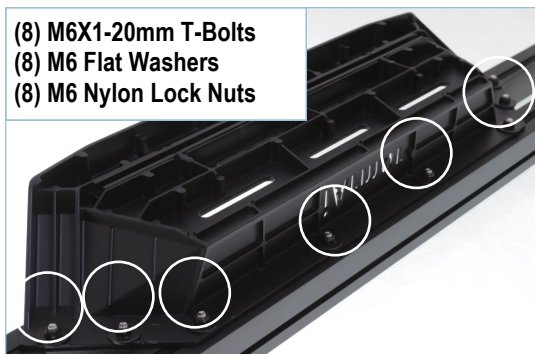
The instruction here is for your reference only. We strongly recommend the professional installer for best result. We are not responsible for any damage caused by the installation.

STEP 1

Install the Step Pads onto the step bars with (32) M6X1-20mm T-Bolts, (32) M6 Large Flat Washers and (32) M6 Nylon Lock Nuts.

IMPORTANT: Don't hit the step pad by any metal hammer within step pad installation, or the step pad will be damaged.

(8) M6X1-20mm T-Bolts
(8) M6 Flat Washers
(8) M6 Nylon Lock Nuts



Note: Rotate 90° after inserting the T-Bolts into the Channel!!!

STEP 2

Assemble Passenger Front Mounting Bracket (**PFM**) and Passenger Front Support Bracket (**PFS/DRS**) with (1) M8X1.25-25mm Hex Bolt, (2) M8 Large Flat Washers, (1) M8 Lock Washer and (1) M8 Hex Nut, (**Fig 1**). Do not fully tighten hardware at this time.

Repeat for Passenger Rear Mounting Bracket (**PRM**) and Passenger Rear Support Bracket (**DFS/PRS**) assemble.

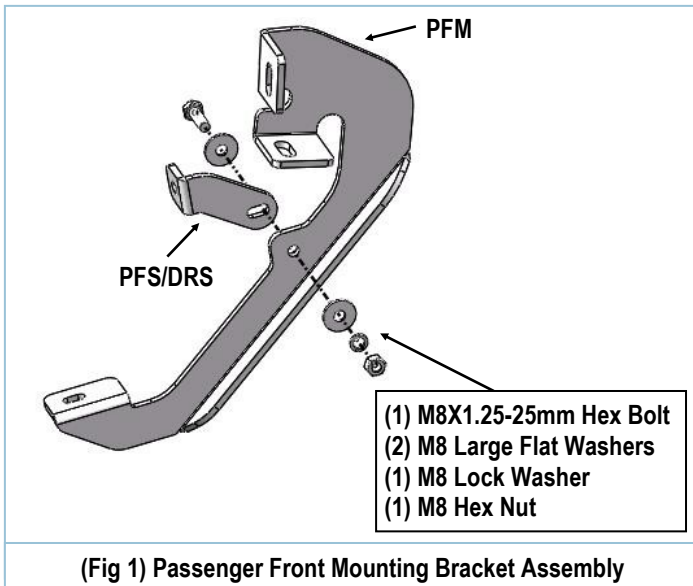
iArmor[®]

STEP 3

Start the installation from the Passenger Side of the vehicle. Identify the mounting locations along the inner side of the rocker panel, remove any tape on the inside of rocker panel that covers the mounting holes, (Fig 2).

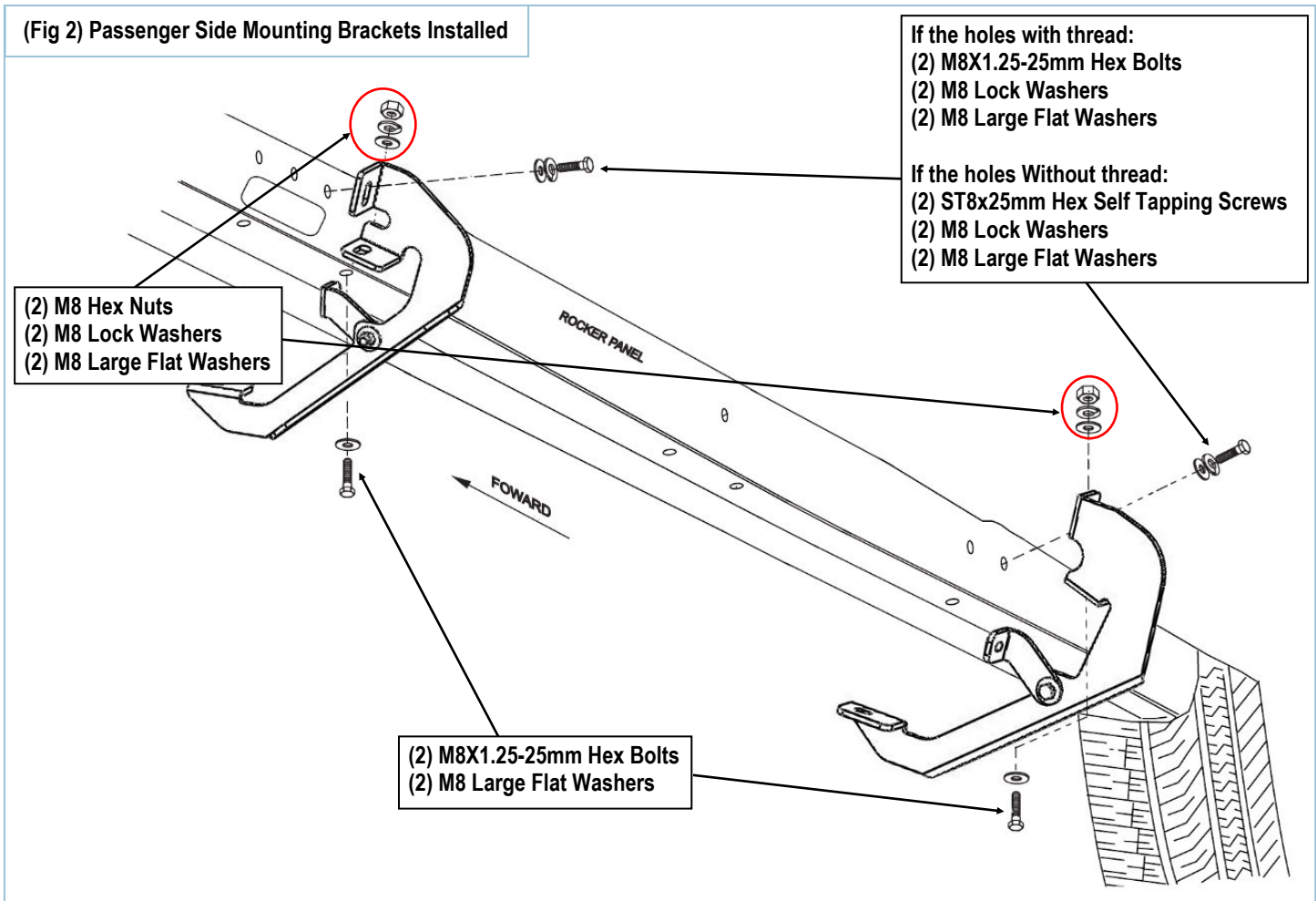
NOTE: (1) ST8x25mm Hex Self Tapping Screws replace (1) M8X1.25-25mm Hex Bolt per bracket if the factory holes are not tapped for M8 bolts, (Fig 2).

Secure the lower mounting holes on passenger side (2) mounting brackets to underside of rocker panel as shown on Fig 2. Do not fully tighten hardware at this time.



(Fig 1) Passenger Front Mounting Bracket Assembly

(Fig 2) Passenger Side Mounting Brackets Installed



iArmor®

STEP 4

Once all (2) Passenger side mounting brackets are installed, select and attach the assembled Passenger Side Step Bar onto the Mounting Brackets with (4) M6X1-20mm Square Head Bolts, (4) M6 Large Flat Washers and (4) M6 Nylon Lock Nuts, (Fig 3). Do not fully tighten hardware at this time.

STEP 5

Properly level and adjust the Step Bar and fully tighten all hardware.

STEP 6

Move to the other side of the vehicle. Repeat **Steps 1—5** for other side Step Bar installation.

Attention

Do periodic inspections to the installation to make sure that all hardware is secure and tight.

In order to protect your bars/boards, please use only mild soap/non-abrasive products for cleaning.

(Fig 3) Passenger Side Step Bar Installation

