

iArmor®

IARMOR EDGE™

PART#: IA-W002

BEFORE INSTALLATION

REMOVE CONTENTS FROM BOX. VERIFY ALL PARTS ARE PRESENT. READ INSTRUCTIONS CAREFULLY BEFORE STARTING INSTALLATION. ASSISTANCE IS RECOMMENDED. THANK YOU FOR CHOOSING OUR PRODUCT!

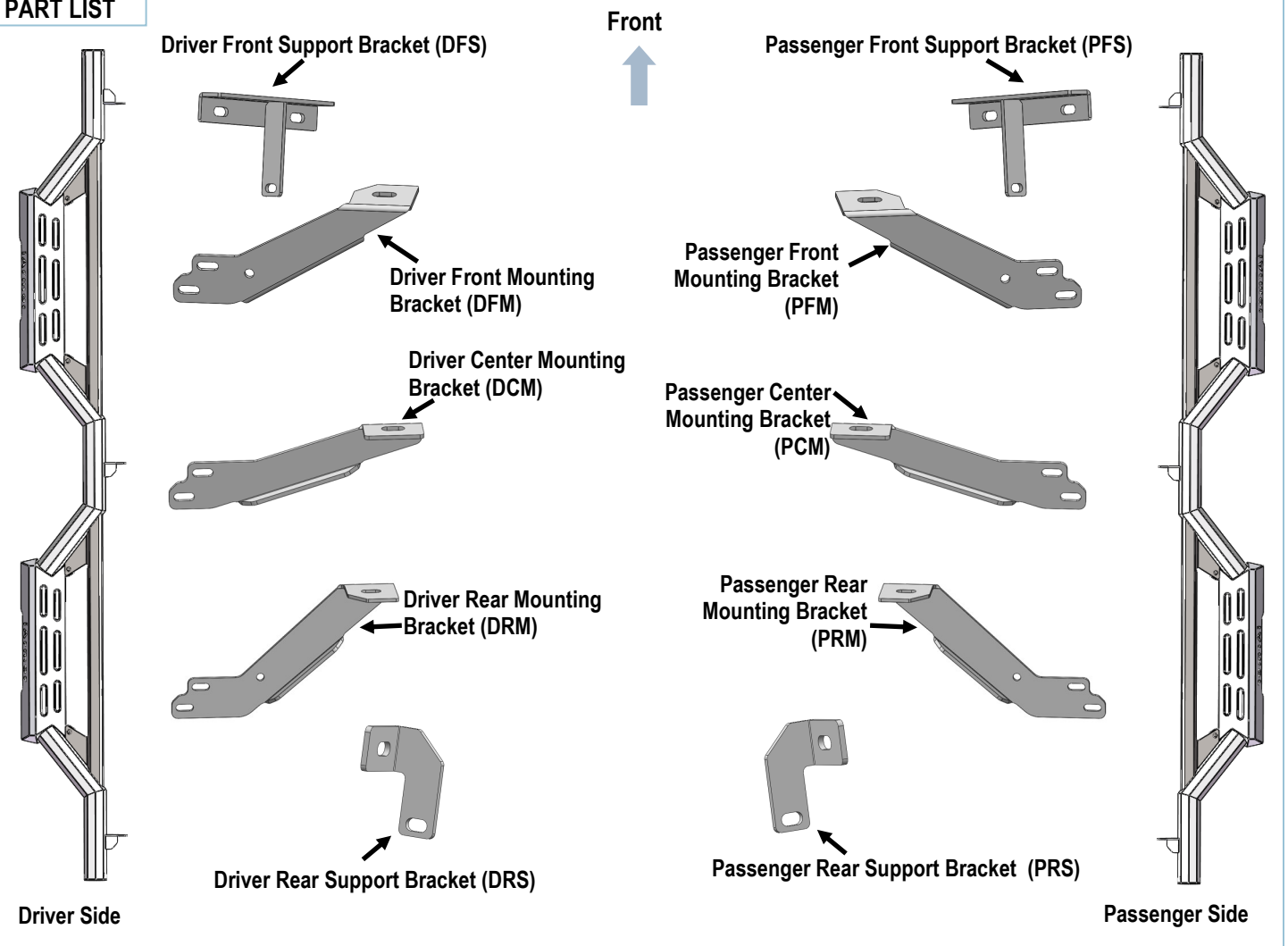
*BODY FRAME MOUNT

*DRILLING/TRIMMING NOT REQUIRED

Torque Value

Fastener Size	Tightening Torque (ft-lbs)	Required
6mm	6-7	X
8mm	16-18	X
10mm	31-32	√
12mm	56-58	√
14mm	92-94	X

PART LIST

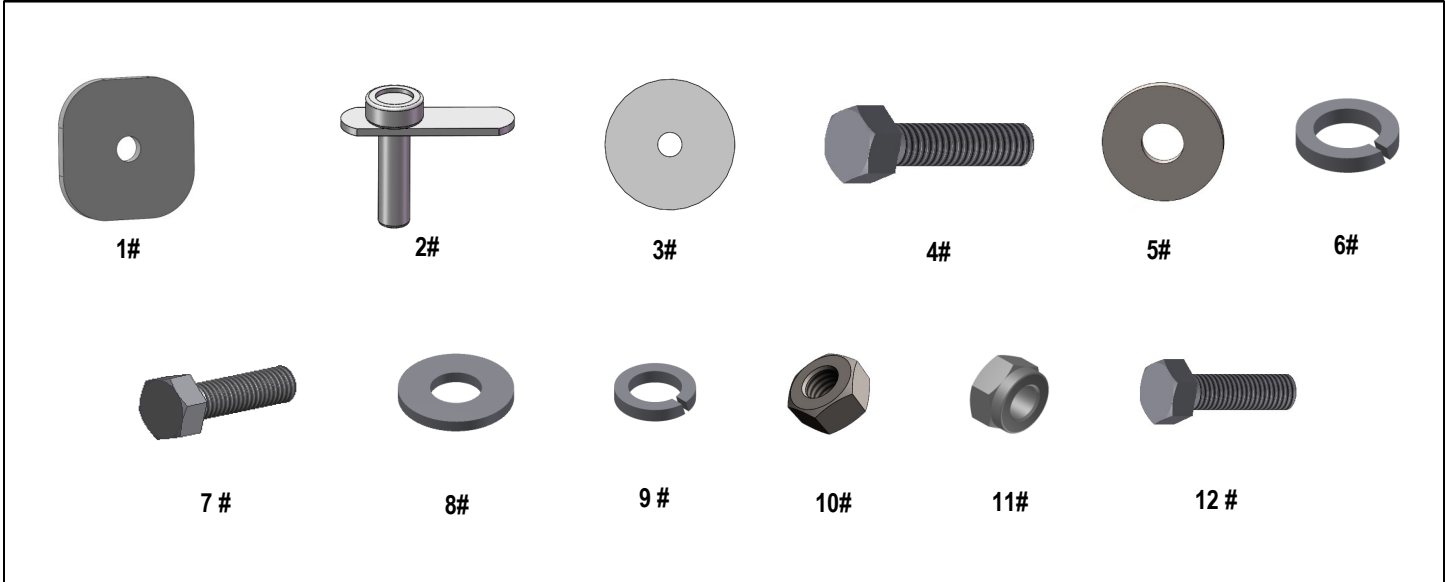


Customer Support: info@iarmorauto.com

iArmor[®]

Hardware Package (For Brackets & Step Bars Installation)

Item	QTY	Description	Item	QTY	Description
1#	6	Spacer Plates	7#	4	M10X1.5-35 Hex Bolts
2#	6	M10X35 Bolt Plates	8#	38	M10 Flat Washers
3#	6	Plastic Washers	9#	6	M10 Lock Washers
4#	6	M12X1.75-120 Hex Bolts	10#	6	M10X1.5 Hex Nuts
5#	6	M12 Large Flat Washers	11#	16	M10X1.5 Nylon Lock Nuts
6#	6	M12 Lock Washers	12#	12	M10X1.5-25 Hex Bolts

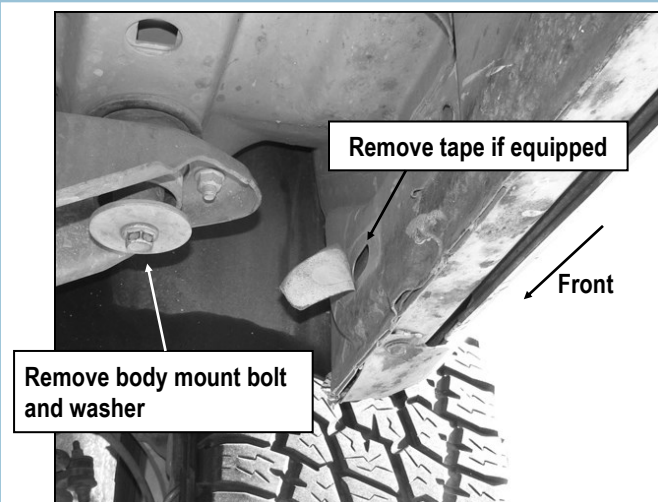


iArmor®

The instruction here is for your reference only. We strongly recommend the professional installer for best result. We are not responsible for any damage caused by the installation.

STEP 1

Start installation from the passenger side front of the vehicle. Remove the tape covering the factory holes on the rocker panel if equipped. Remove the body mount bolt and washer, (Fig 1).

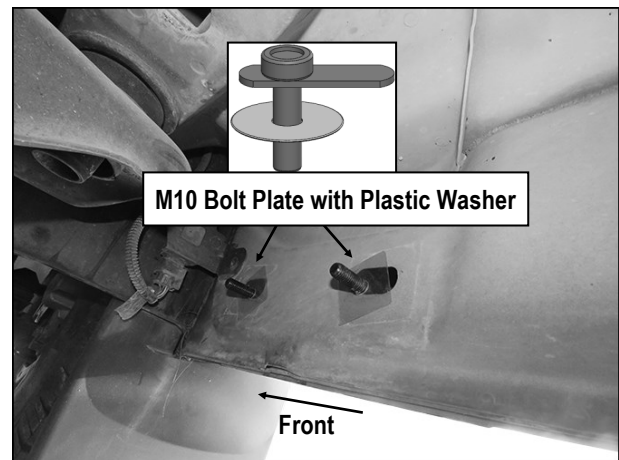


(Fig 1) Passenger Side Front Mounting Location

STEP 2

Insert (2) M10X35 Bolt Plates into the holes on the rocker panel. Thread (2) M10 Plastic Washers to the bolt plates to hold them in place, (Fig 2).

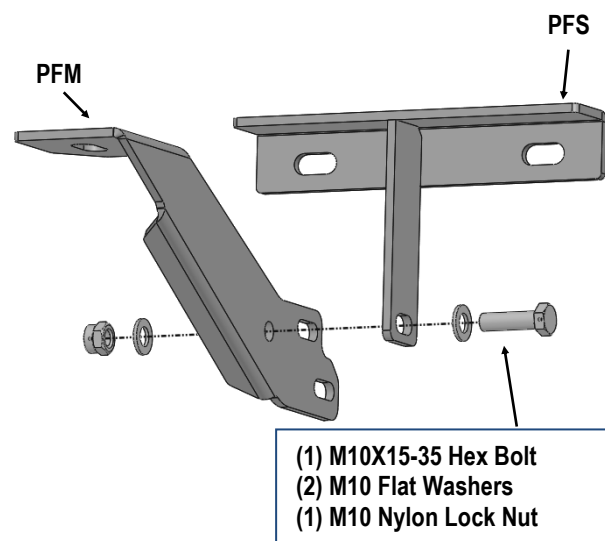
NOTE: The Plastic Washer is designed to keep the Bolt Plate falling into the body panel during bracket installation.



(Fig 2) M10 Bolt Plates with M10 Plastic Washers (on Passenger Side Front Mounting Location)

STEP 3

Assemble Passenger Side Front Mounting Bracket (PFM) and Passenger Side Front Support Bracket (PFS), (Fig 3). Do not fully tighten hardware at this time.



(Fig 3) Passenger Front Mounting Bracket Assembly

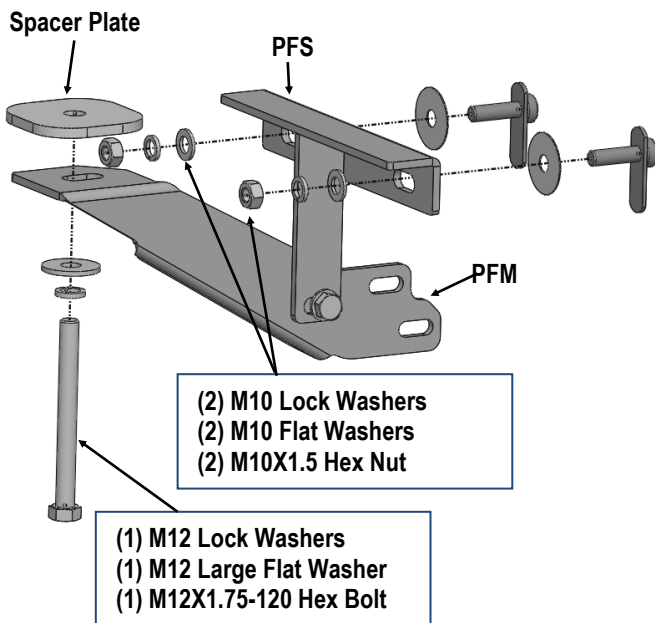
iArmor[®]

STEP 4

Attach the Passenger Front Support Bracket (**PFS**) to the installed M10 Bolt Plates with (2) M10 Flat Washers, (2) M10 Lock Washers and (2) M10X1.5 Hex Nuts, (**Fig 4**). Don't fully tighten hardware at this time.

Insert (1) Spacer Plate between Front Mounting Bracket and factory rubber bushing. Attach the Passenger Front Mounting Bracket (**PFM**) to the body mount with (1) M12X1.75-120 Hex Bolt, (1) M12 Lock Washer, (1) M12 Large Flat Washer, (**Fig 4**). Don't fully tighten hardware at this time.

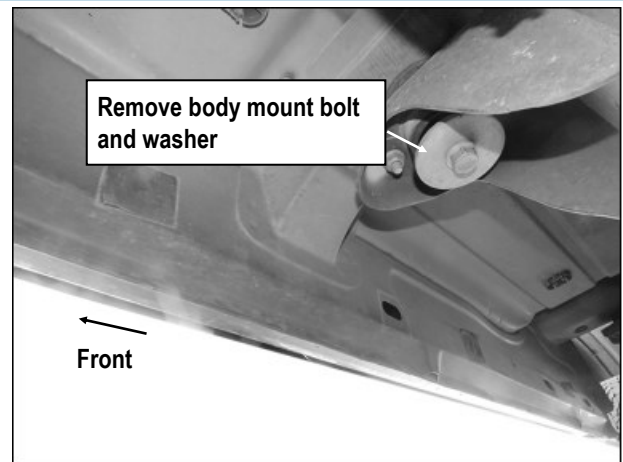
Note: Insert (1) Spacer Plate between each Front / Center / Rear Mounting Bracket and factory rubber bushing.



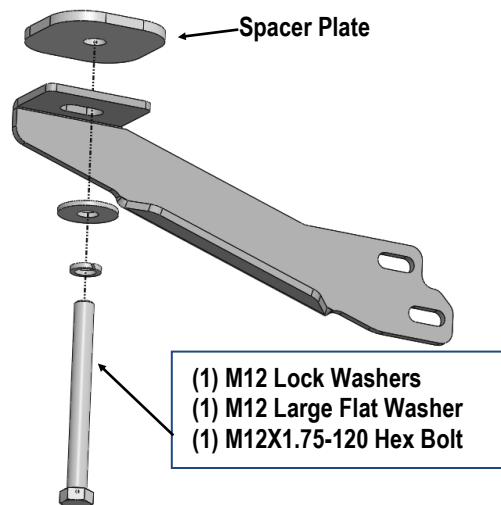
(Fig 4) Passenger Side Front Mounting Bracket Installation

STEP 5

Move to Passenger side Center Mounting Location, (**Fig 5**). Remove the body mount bolt and washer. Insert (1) Spacer Plate between Front Center Mounting Bracket and factory rubber bushing. Then install Passenger Center Mounting Bracket (**PCM**) to the center body mount with (1) M12X1.75-120 Hex Bolt, (1) M12 Lock Washer, (1) M12 Large Flat Washer, (**Fig 6**). Don't fully tighten hardware at this time.



(Fig 5 Passenger Side Center Mounting Location

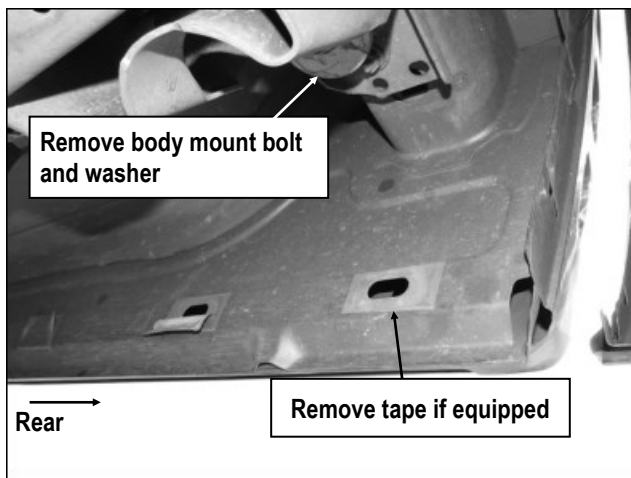


(Fig 6) Passenger Side Center Mounting Bracket Installation

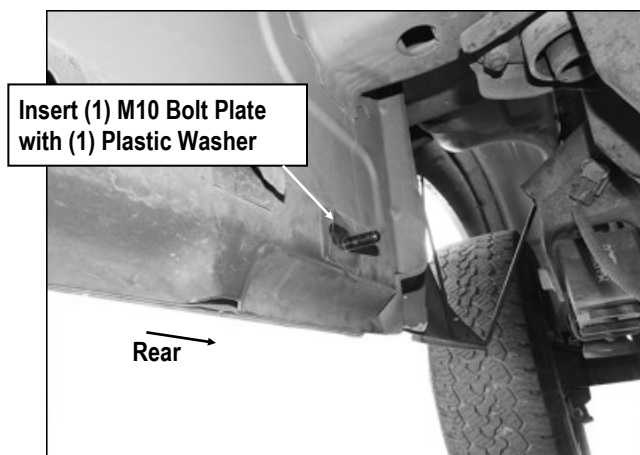
iArmor[®]

STEP 6

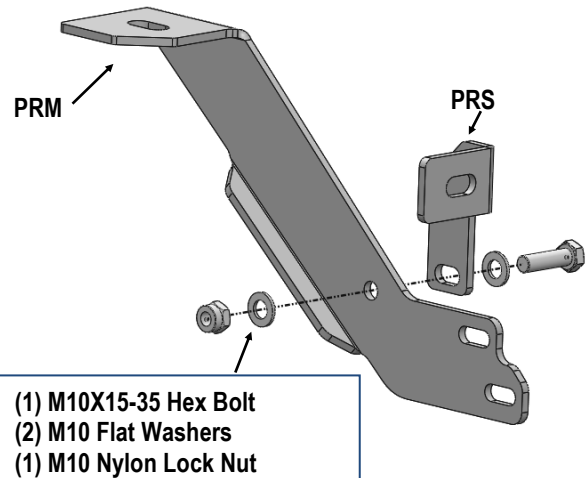
Move to Passenger Side Rear Mounting Location, (Fig 7). Only (1) Oval hole on the rocker panel will be used. Repeat Steps 1-4 to install Passenger Side Rear Mounting Brackets (PRM & PRS), (Fig 8-10). Don't fully tighten hardware at this time.



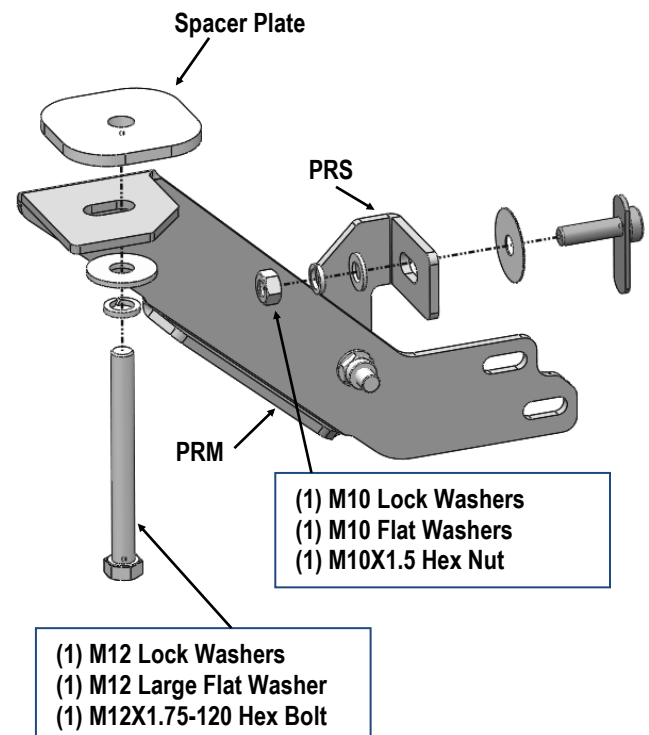
(Fig 7) Passenger Side Rear Mounting Location



(Fig 8) Insert M10 Bolt Plate with (1) M10 Plastic Washer (on Passenger Side Rear Mounting Location)



(Fig 9) Passenger Rear Mounting Brackets Assembly



(Fig10) Passenger Side Rear Mounting Bracket Installation

iArmor®

STEP 7

Once all (3) Mounting Brackets have been installed, attach the Passenger Side Bar to the assembled Bar Brackets with (6) M10X1.5-25 Hex Bolts, (12) M10 Flat Washers and (6) M10X1.5 Nylon Lock Nuts, (**Fig 11**). Do not fully tighten hardware at this time.

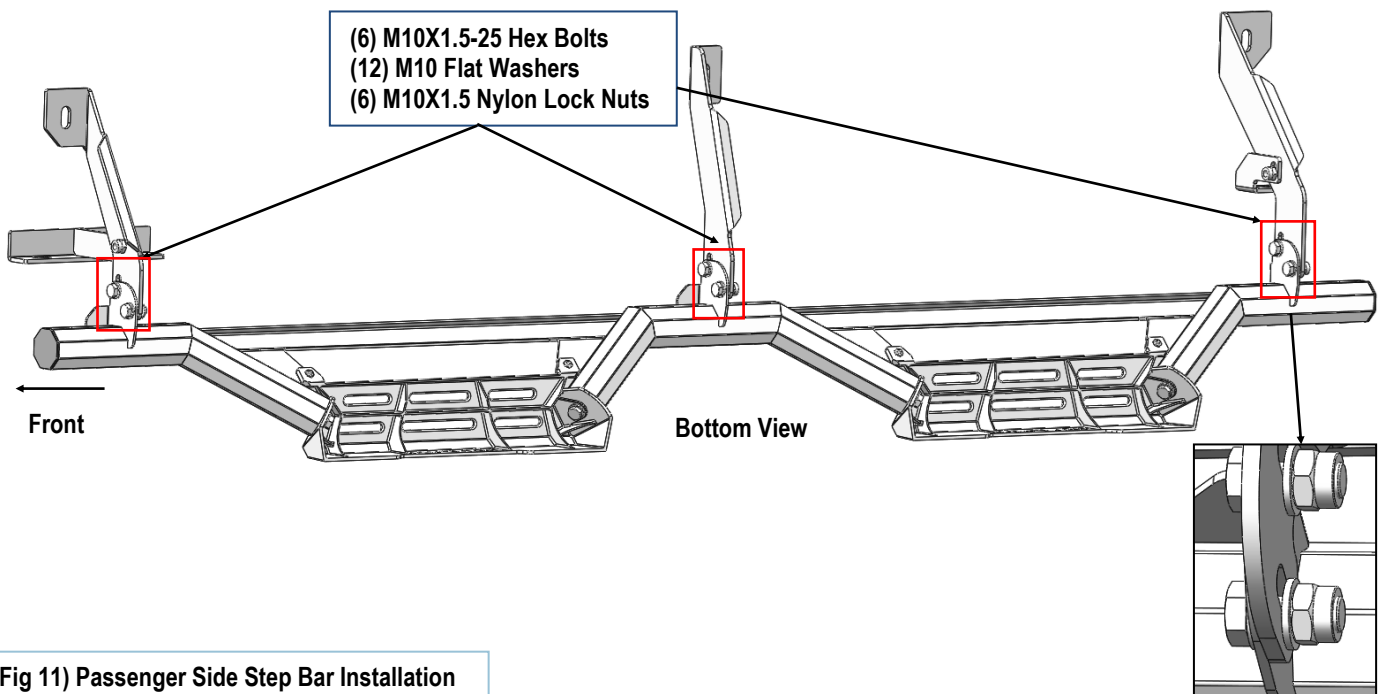
Properly level and adjust the Step Bar and fully tighten all hardware.

STEP 8

Move to the other side of the vehicle. Repeat **Steps 1-7** for the other side step bar installation.

Attention

Do periodic inspections to the installation to make sure that all hardware is secure and tight.
In order to protect your bars/boards, please use mild soap/non-abrasive products for cleaning only.



(Fig 11) Passenger Side Step Bar Installation