

iArmor[®]

IARMOR EDGE™

PART#: IA-W258

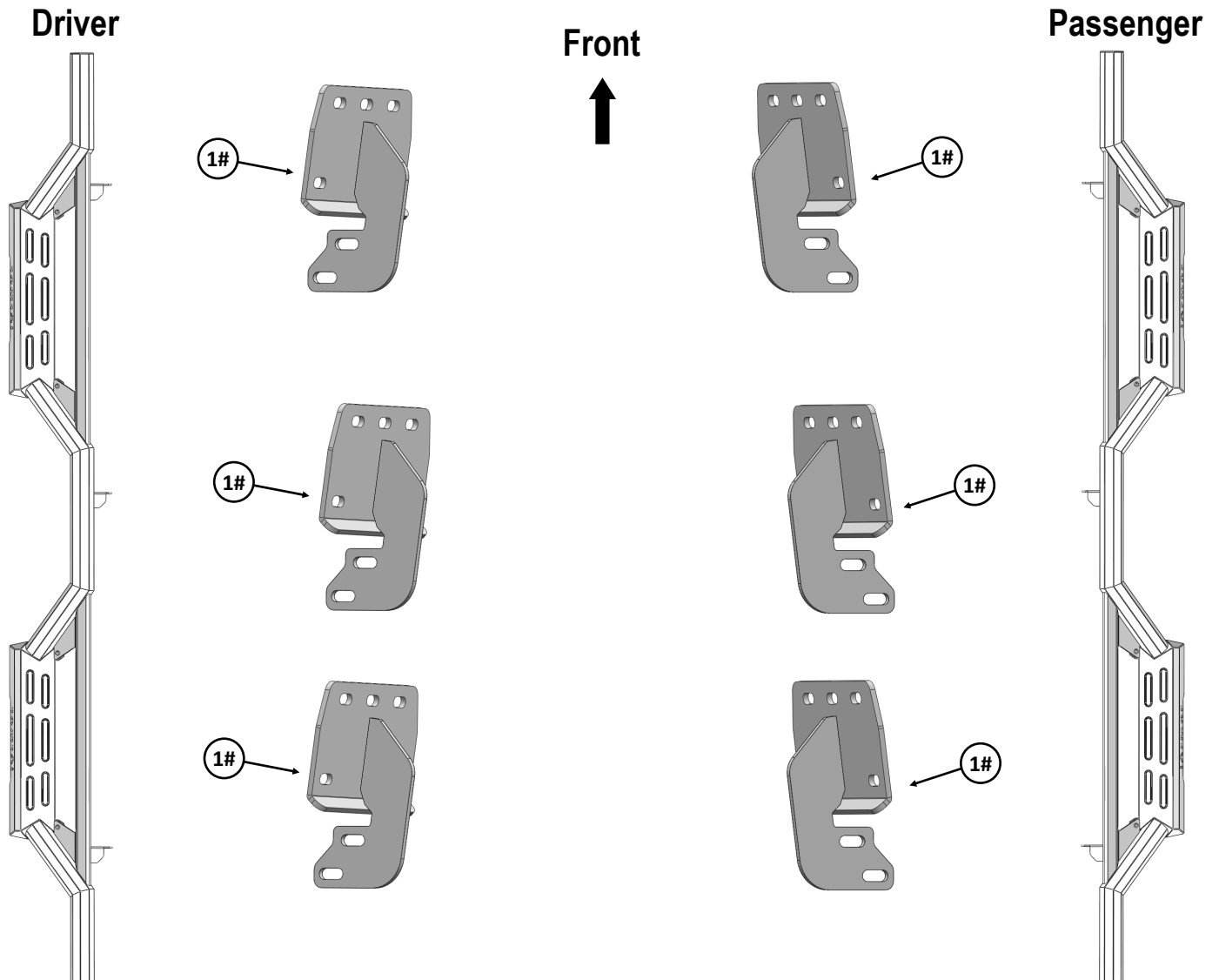
BEFORE INSTALLATION

REMOVE CONTENTS FROM BOX. VERIFY ALL PARTS ARE PRESENT. READ INSTRUCTIONS CAREFULLY BEFORE STARTING INSTALLATION. ASSISTANCE IS RECOMMENDED. THANK YOU FOR CHOOSING OUR PRODUCT!

*ROCKER PANEL MOUNT

*DRILLING/TRIMMING NOT REQUIRED

Fastener Size	Tightening Torque (ft-lbs)	Required
6mm	6-7	X
8mm	16-18	√
10mm	31-32	√
12mm	56-58	X
14mm	92-94	X



Customer Support: info@iarmorauto.com

iArmor®

Hardware Package (For Brackets & Step Bars Installation)

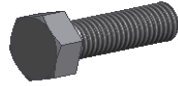
Item	QTY	Description	Item	QTY	Description
1#	6	Mounting Brackets	4#	12	M10X1.5-25 Hex Bolts
2#	18	M8 Large Flat Washers	5#	24	M10 Flat Washers
3#	18	M8X1.25 Nylon Lock Nuts	6#	12	M10X1.5 Nylon Lock Nuts



2#



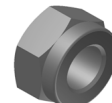
3#



4#



5#



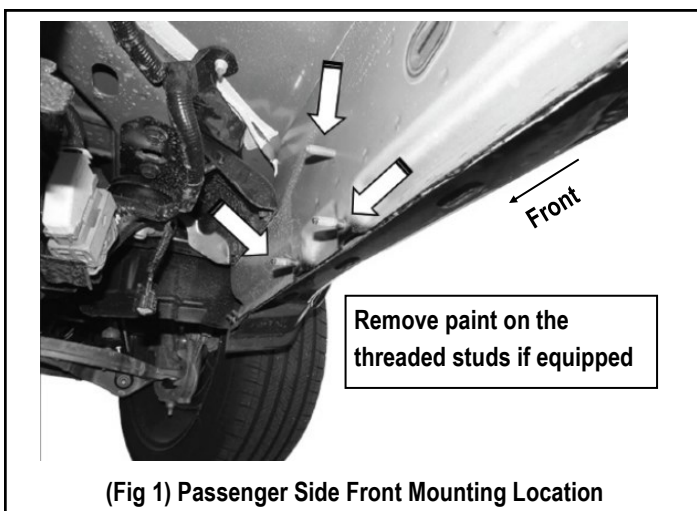
6 #

iArmor[®]

The instruction here is for your reference only. We strongly recommend the professional installer for best result. We are not responsible for any damage caused by the installation.

STEP 1

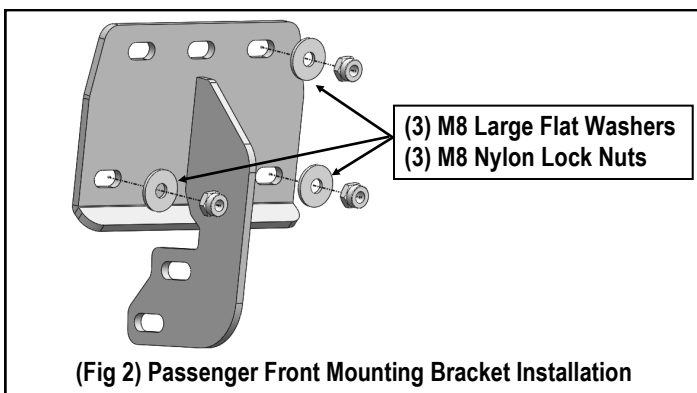
Start the installation from the Passenger side of the vehicle, locate the front (3) factory studs along the inner side of the body panel, (Fig 1). Use a wire brush to remove paint on the threaded studs if equipped.



STEP 2

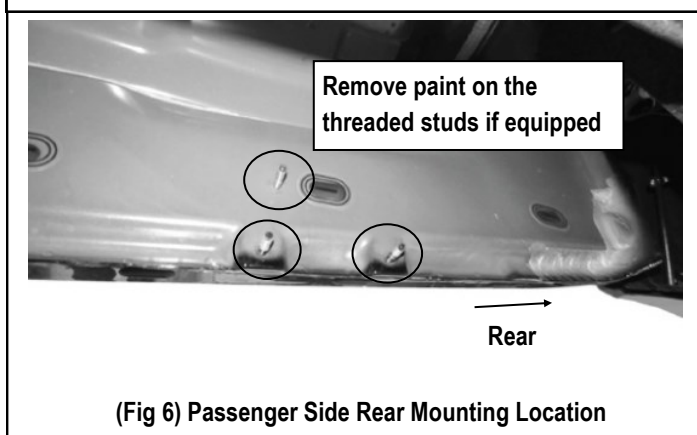
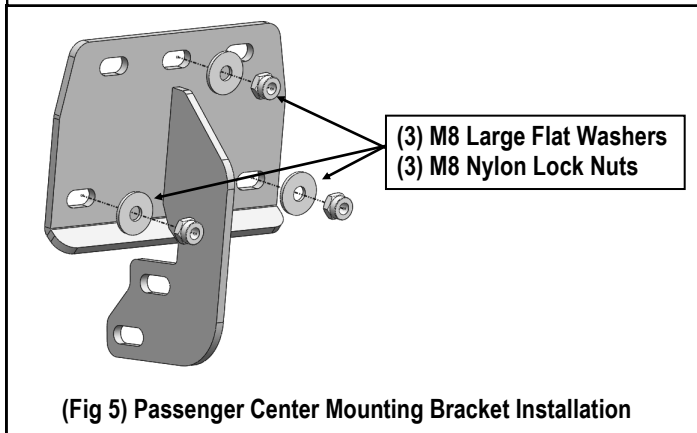
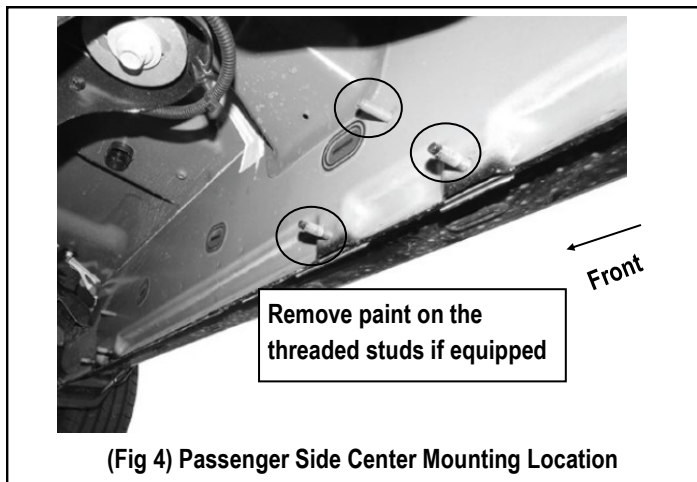
Select (1) Mounting Bracket, attach the bracket to the (3) factory studs with (3) M8 Large Flat Washers and (3) M8 Nylon Lock Nuts, (Fig 2). Do not fully tighten hardware at this time.

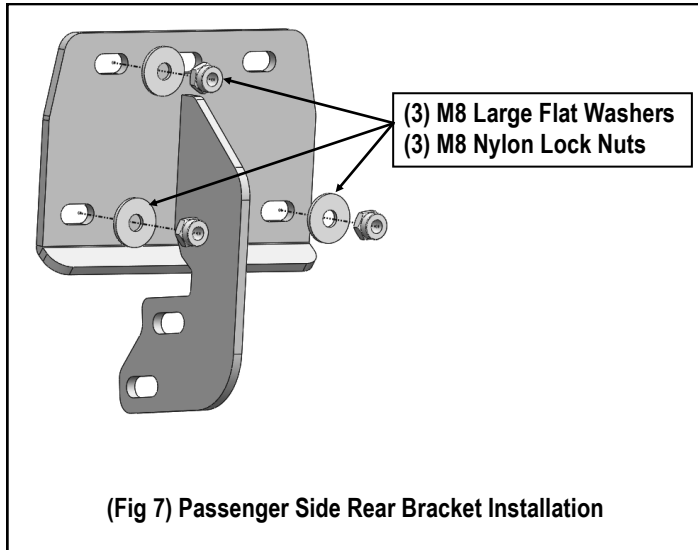
Note: All (6) Mounting Brackets are universal.



STEP 3

Repeat **Steps 1-2** to install Passenger Center and Rear Mounting brackets, (Figs 4-7). Do not fully tighten hardware at this time.





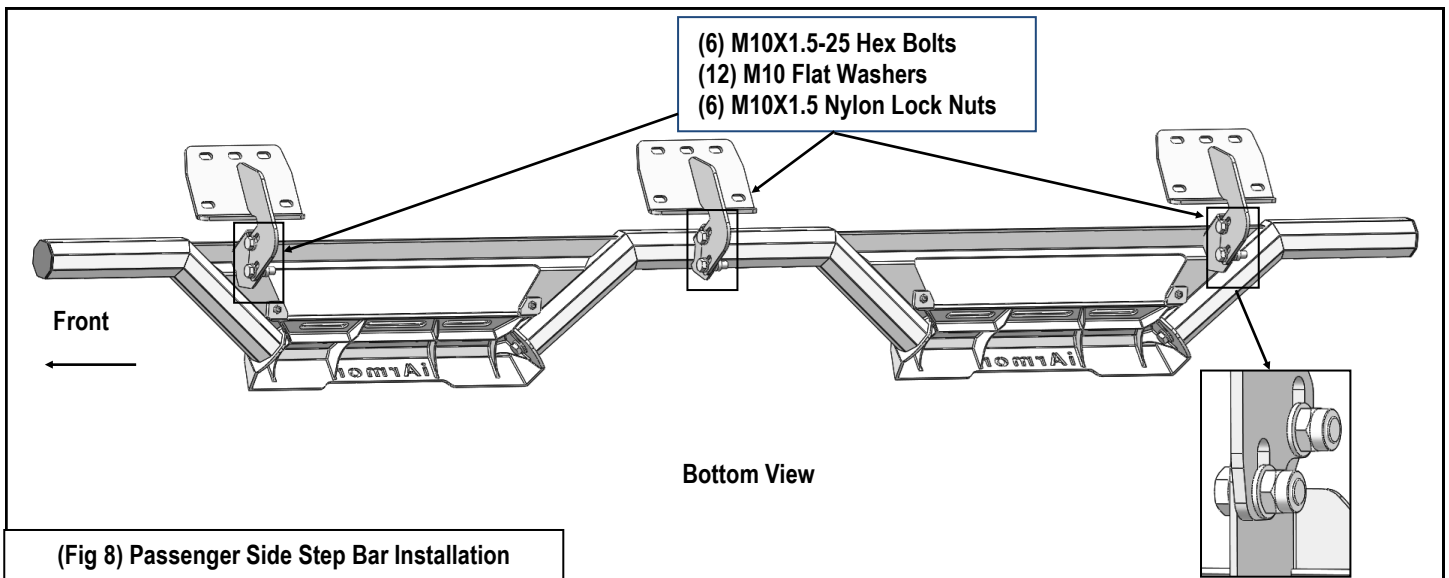
STEP 4

Once all (3) Passenger Side Mounting Brackets have been installed, attach the Passenger Side Step Bar to the Mounting Brackets using (6) M10X1.5-25 Hex Bolts, (12) M10 Flat Washers and (6) M10X1.5 Nylon Lock Nuts, (Fig 8). Do not fully tighten hardware at this time.

Properly level and adjust the Step Bar and then fully tighten all hardware.

STEP 5

Move to the other side of the vehicle. Repeat **Steps 1-4** to install the other side step bar.



Attention

Do periodic inspections to the installation to make sure that all hardware is secure and tight.
In order to protect your bars/boards, please use mild soap/non-abrasive products for cleaning only.