

Installation Instructions for IA04SJJ2 by APS Auto Parts Specialist Inc.

Application: For 2002-2008 Dodge Ram 1500 Quad Cab/2003-2009 Dodge Ram 2500/3500
Quad Cab

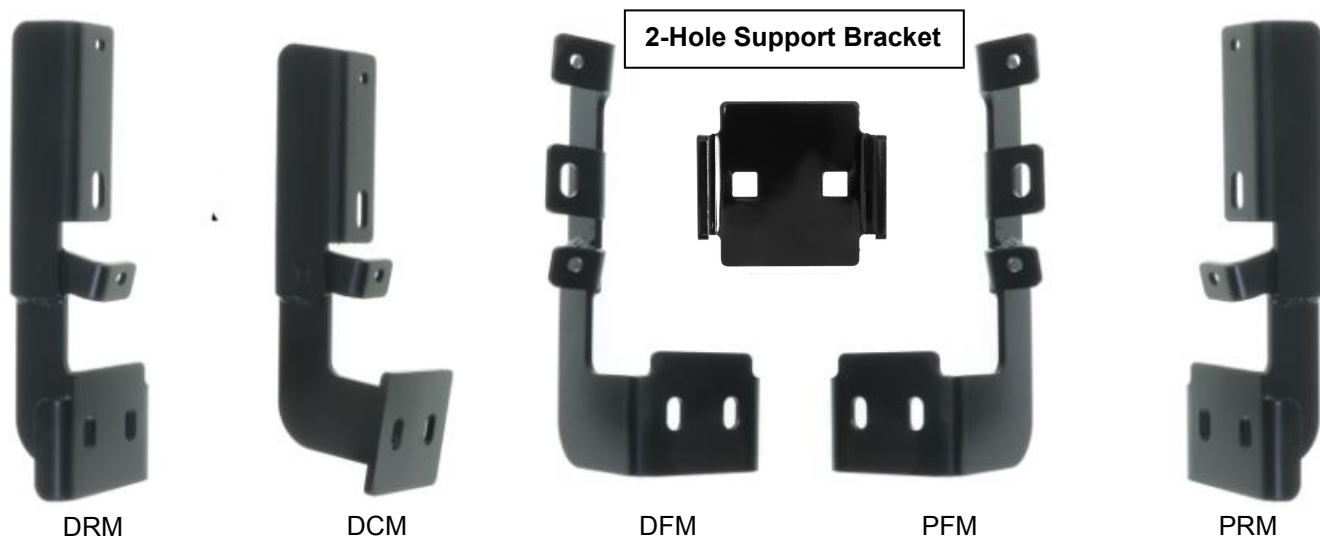
Estimated Time: 1 to 2 hours



The instruction here is for your reference only. We strongly recommend the professional installer for best result. We are not responsible for any damage caused by the installation. Thank you for choosing our product!

PARTS LIST:

Item	QTY	Description	Item	QTY	Description
#1	2	Driver/ Passenger Side Bar	#10	24	M10 Hex Nuts
#2	1	Driver Front Mounting Bracket (DFM)	#11	8	2-Hole Support Bracket
#3	1	Passenger Front Mounting Bracket (PFM)	#12	8	Plastic Washer
#4	4	Driver/ Passenger Center Mounting Bracket(DCM)	#13	16	M10X1.5-75 Carriage Bolts
#5	1	Driver Rear Mounting Bracket (DRM)	#14	8	ST6x22 Self Tapping Screw
#6	1	Passenger Rear Mounting Bracket (PRM)	#15	8	M6x1-25 Hex Bolts
#7	8	M10x35 Bolt Plate	#16	16	M6 Flat Washers
#8	24	M10 Flat Washer	#17	8	M6 Lock Washers
#9	24	M10 Lock Washer	#18	8	M6 Hex Nuts

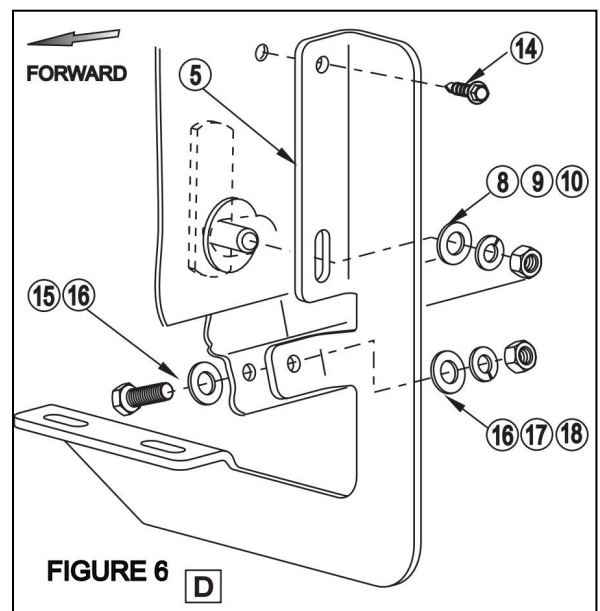
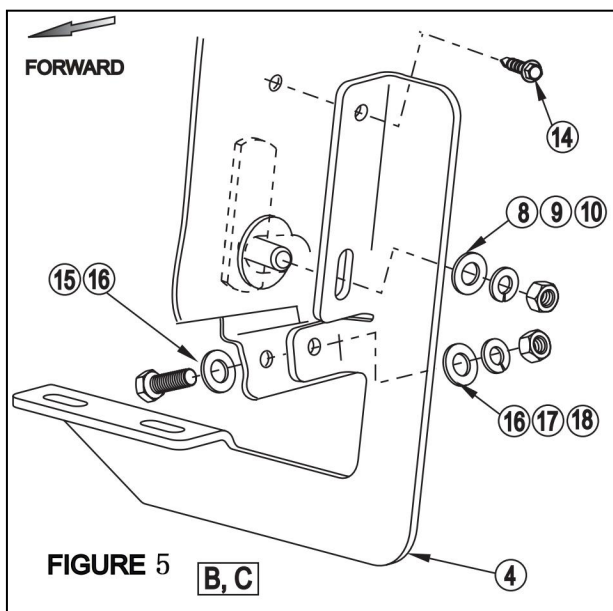
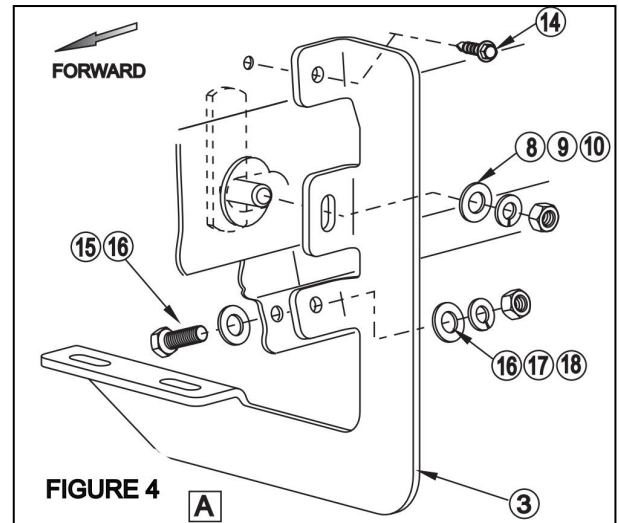
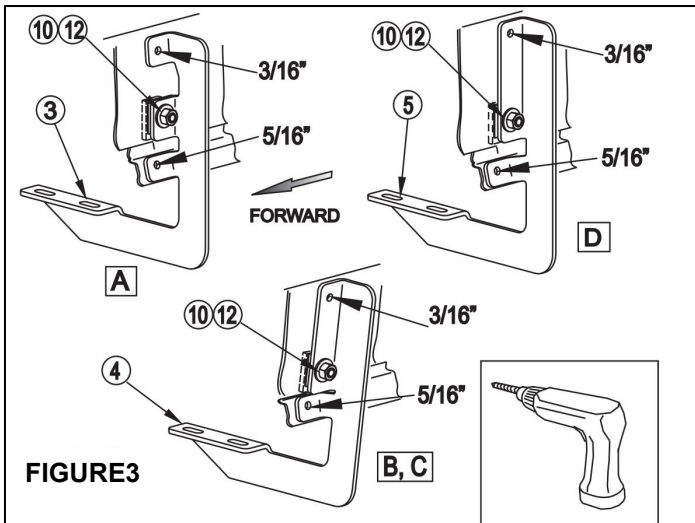
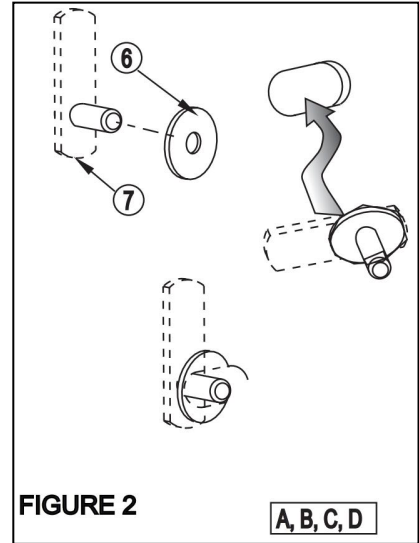
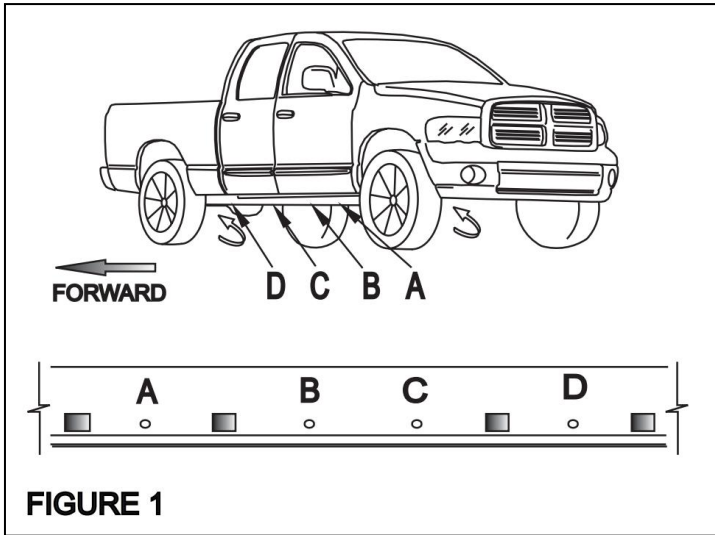


PROCEDURE:

1. Verify all parts are present. Read and understand instruction before beginning.
2. Remove tape from locations as shown. Install bolt plates as shown. **(See FIG 1 & 2).**
3. Attach brackets. Mark holes. Remove brackets. Drill holes as shown. **(See FIG 3).**
NOTE: Be sure to use the correct drill bit size for each hole.
4. Attach mounting brackets as shown. Hand tighten. **(See FIG 4-front brackets, FIG 5-center bracket and FIG 6-rear brackets)**
5. Select the Driver Side Bar. Slip (2) M10X1.5-75 Carriage Bolts into each 2-Hole Support Brackets, and insert the 2-Hole support bracket into the Driver Side Bar. **(Fig 7).** Carefully position the Bar onto the (4) Mounting Brackets. **IMPORTANT:** Do not slide the Bar on the Brackets or damage to the finish may result. Attach the Driver Side Bar to the Mounting Brackets with (2) M10 Hex Nuts, (2) 10mm lock washers and (2) 10mm flat washers, **(Fig 8).** Do not tighten hardware.
6. Level and adjust the Bar properly and tighten all hardware. **NOTE: Torque all M10 X1.5-75 Carriage Bolts to 29~33 lb-ft.**
7. Repeat Step 2-6 for the other side installation. Installation completed!!! **(See Fig 9)**
8. Do periodic inspections to the installation to make sure that all hardware is secure and tight.

Products have a high quality finish that must be cared for like any other exposed finish on the vehicle. Protect the finish with a non-abrasive automotive wax, (e.g. Pure Carnauba) on a regular basis. The use of any soap, polish or wax that contains an abrasive is detrimental, as the compounds scratch the finish and open it to corrosion.

Driver/Passenger Side Installation Pictured



***Pictures are for reference only, actual Brackets may be a little different.**



Fig 7

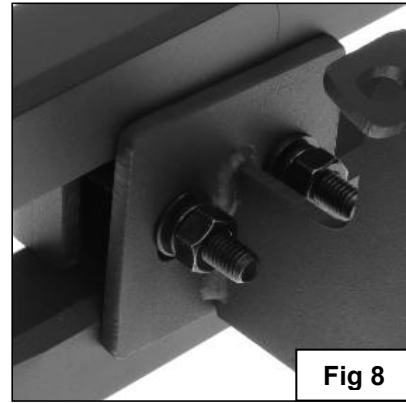


Fig 8



Complete Installation

Fig 9