

iArmor[®]

iArmor[®] by APS

PART#: IA-S159H&S258H

BEFORE INSTALLATION

REMOVE CONTENTS FROM BOX. VERIFY ALL PARTS ARE PRESENT. READ INSTRUCTIONS CAREFULLY BEFORE STARTING INSTALLATION. ASSISTANCE IS RECOMMENDED. THANK YOU FOR CHOOSING OUR PRODUCT!

*ROCKER PANEL MOUNT

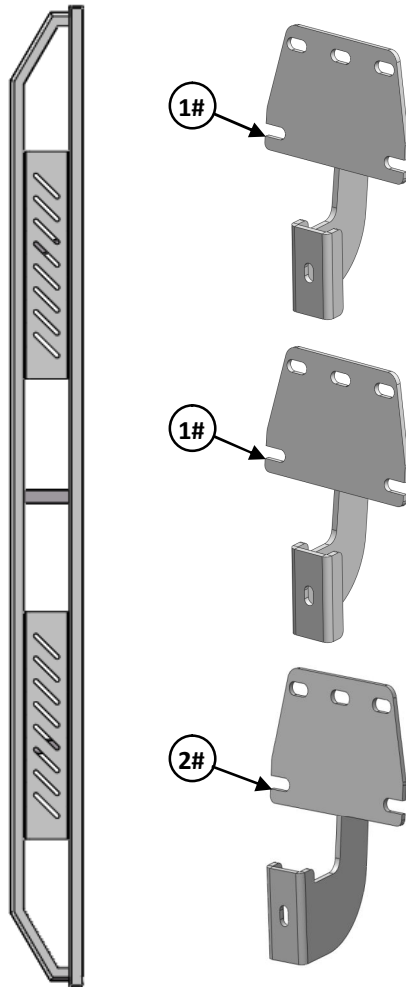
*DRILLING NOT REQUIRED

Torque Value

Fastener Size	Tightening Torque (ft-lbs)	Required
6mm	6-7	X
8mm	16-18	√
10mm	31-32	X
12mm	56-58	X
14mm	92-94	X

PART LIST

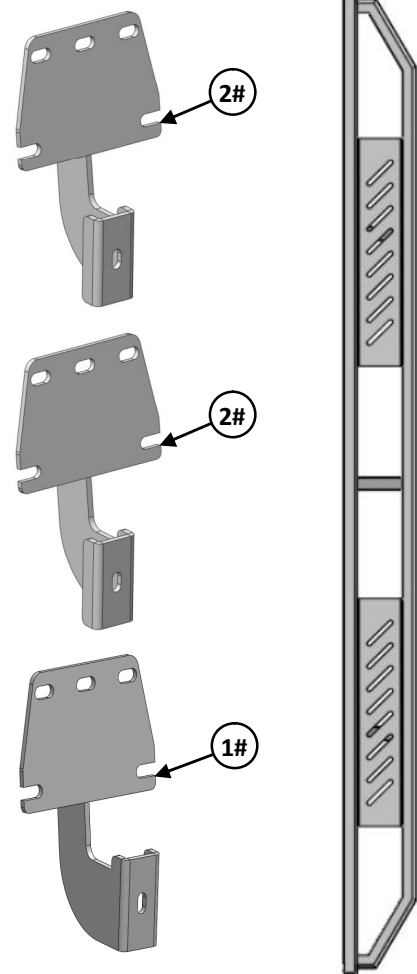
Driver Side Step Bar



Front



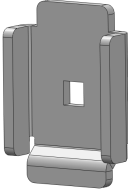
Passenger Side Step Bar




Customer Support: info@iarmorauto.com

iArmor®


Hardware Package A (For Bracket Installation)					
Item	QTY	Description	Item	QTY	Description
1#	3	Driver Front / Center & Passenger Rear Mounting Brackets	4#	18	M8 Large Flat Washers
2#	3	Passenger Front / Center & Driver Rear Mounting Brackets	5#	18	M8 Nylon Lock Nuts
3#	6	U Brackets			



3 #

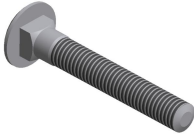


4 #




5 #


Hardware Package B (For Step Bar Installation)					
Item	QTY	Description	Item	QTY	Description
1#	6	M8X1.25-55mm Carriage Bolts	3#	6	M8 Lock Washers
2#	6	M8 Large Flat Washers	4#	6	M8 Hex Nuts




1 #



2#



3 #



4 #

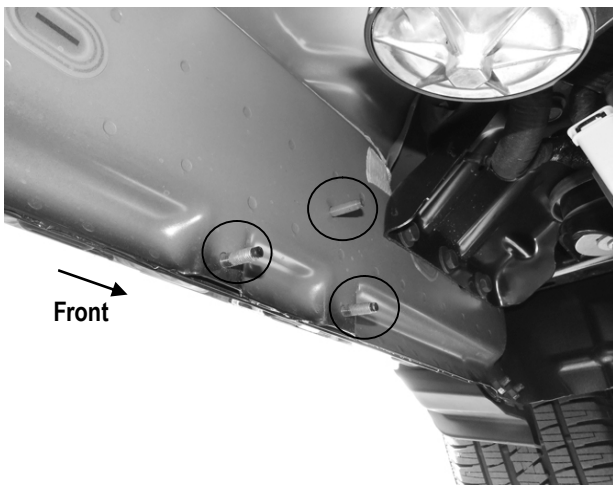
iArmor®

The instruction here is for your reference only. We strongly recommend the professional installer for best result. We are not responsible for any damage caused by the installation.

STEP 1

Start the installation under the driver side of the vehicle. Locate the front (2) factory studs along the inner side of the body panel, (Fig 1).

NOTE: Chase threads on the studs first before installing Brackets to remove paint buildup.

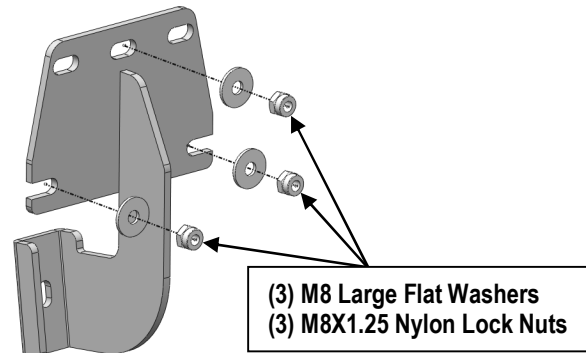


(Fig 1) Driver Side Front Mounting Location

STEP 2

Select (1) Driver Front Mounting Bracket. Attach the Mounting Bracket to the (3) factory studs with (3) M8 Large Flat Washers and (3) M8X1.25 Nylon Lock Nuts (Fig 2). Leave bracket loose at this time.

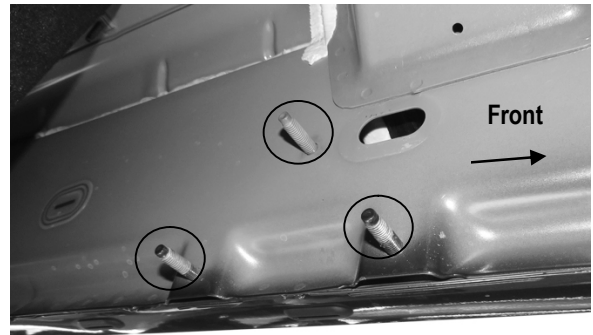
NOTE: Driver Front Mounting Bracket, Driver Center Mounting Bracket and Passenger Rear Mounting Bracket are universal.



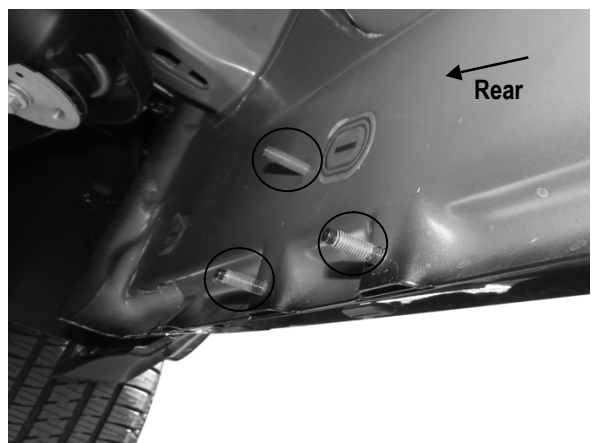
(Fig 2) Driver Front Mounting Bracket Installation

STEP 3

Move to Driver Side Center & Rear Mounting Locations (Figs 3 & 4). Repeat Steps 1-2 to install the Mounting Brackets. Leave brackets loose at this time.



(Fig 3) Driver Side Center Mounting Location



(Fig 4) Driver Side Rear Mounting Location

iArmor®

STEP 4

Once all (3) passenger side mounting brackets are installed, select and attach the Passenger Side Step Bar onto the Mounting Brackets with (3) U Brackets, (3) M8X1.25-55mm Carriage Bolts, (3) M8 Large Flat Washers, (3) M8 Lock Washers and (3) M8X1.25 Hex Nuts, (Fig 4). Do not fully tighten hardware at this time.

STEP 5

Properly level and adjust the Step Bar and fully tighten all hardware.

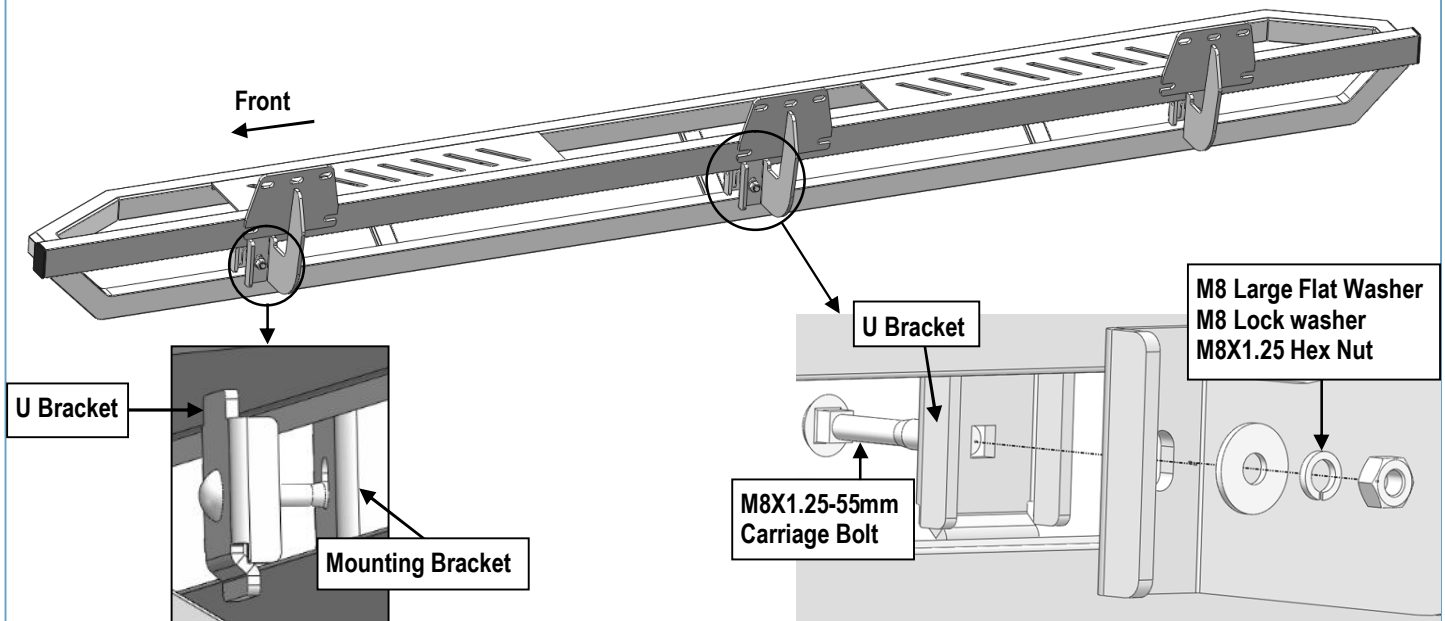
STEP 6

Move to the driver side of the vehicle. Repeat **Steps 1-5** to install the driver side step bar.

Installation completed.

(Fig 4) Passenger Side Step Bar Installation

NOTE: Torque all M8 X1.25-55mm Carriage Bolts to 16~18 lb-ft. Don't over tighten, or the square bars will be damaged by the brackets



Attention

Do periodic inspections to the installation to make sure that all hardware is secure and tight.
In order to protect your bars/boards, please use mild soap/non-abrasive products for cleaning only.