

iArmor®

IARMOR EDGE™

PART#: IA-N002H

BEFORE INSTALLATION

REMOVE CONTENTS FROM BOX. VERIFY ALL PARTS ARE PRESENT. READ INSTRUCTIONS CAREFULLY BEFORE STARTING INSTALLATION. ASSISTANCE IS RECOMMENDED. THANK YOU FOR CHOOSING OUR PRODUCT!

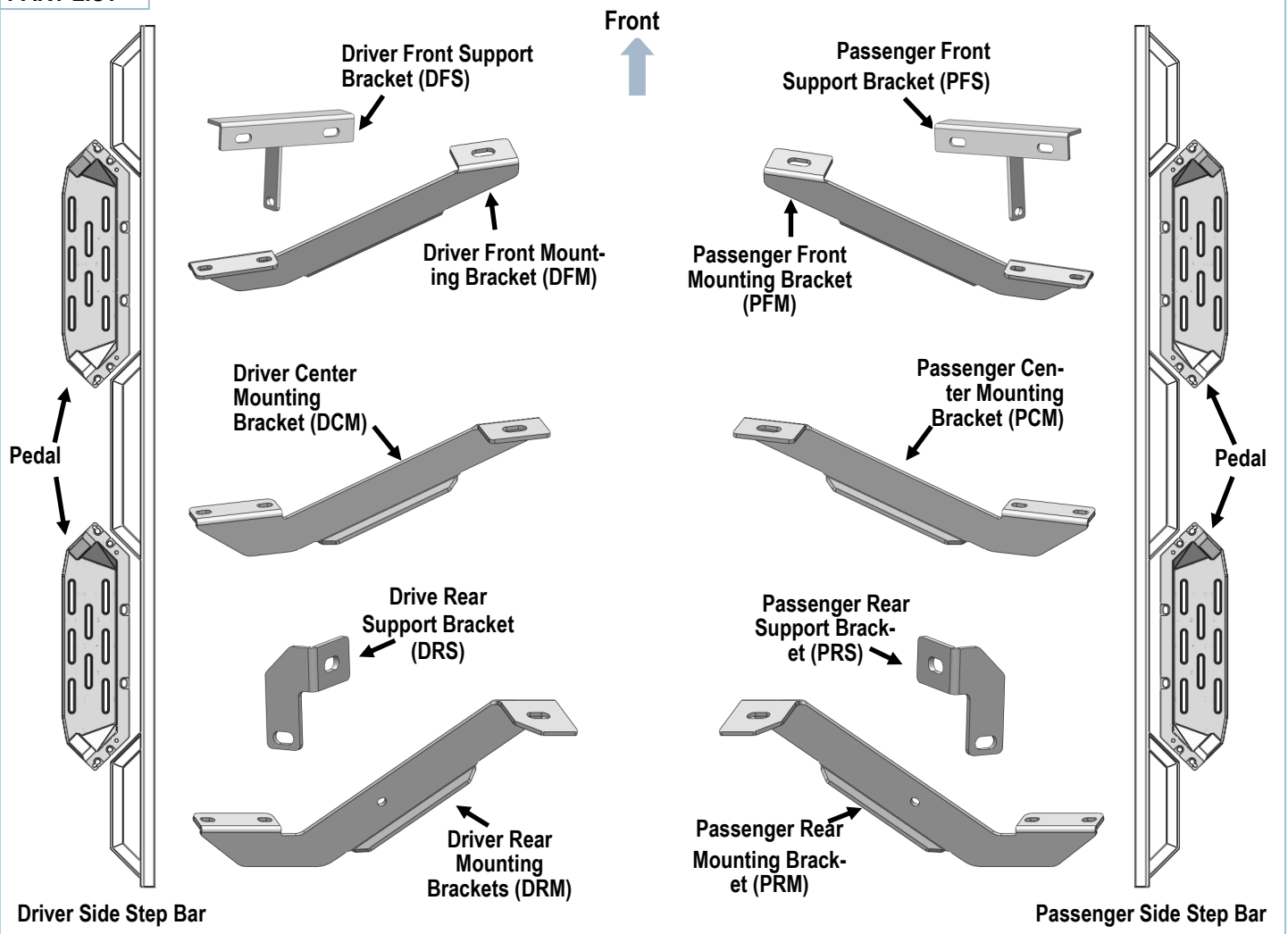
*BODY FRAME MOUNT

*NO DRILLING/TRIMMING REQUIRED

Torque Value

Fastener Size	Tightening Torque (ft-lbs)	Required
6mm	6-7	X
8mm	16-18	√
10mm	31-32	√
12mm	56-58	√
14mm	92-94	X

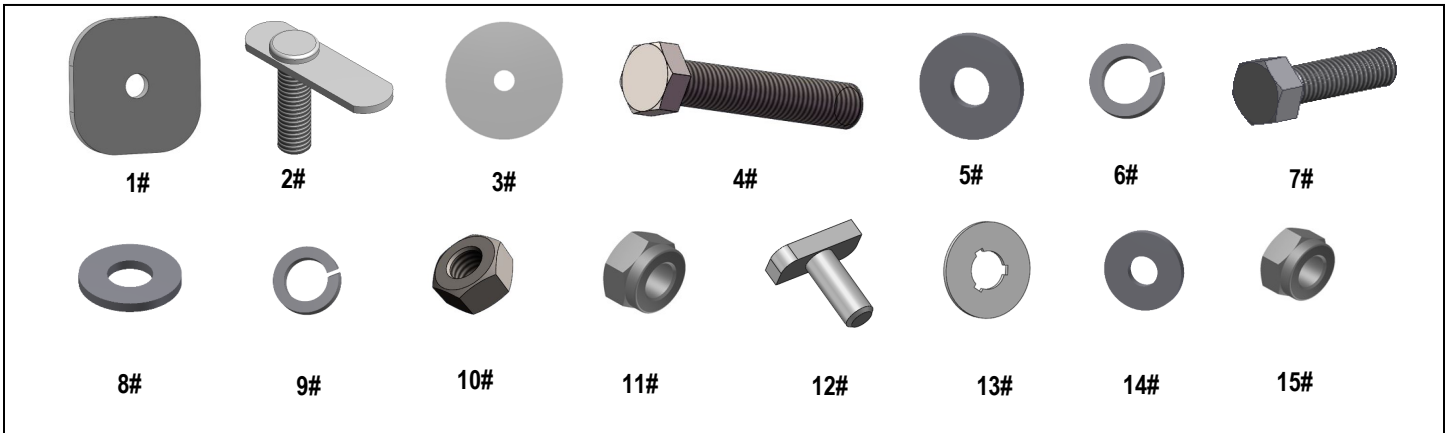
PART LIST



Customer Support: info@iarmorauto.com

iArmor®

Hardware Package A (For Brackets & Bars Installation)					
Item	QTY	Description	Item	QTY	Description
1#	6	Spacer Plates	9#	6	M10 Lock Washers
2#	6	M10X35 Bolt Plates	10#	6	M10 Hex Nuts
3#	6	M10 Plastic Washers	11#	4	M10 Nylon Lock Nuts
4#	6	M12X1.75-120 Hex Bolts	12#	12	M8X1.25-20 T Bolts
5#	6	M12 Large Flat Washers	13#	12	M8 Plastic Washers
6#	6	M12 Lock Washers	14#	12	M8 Large Flat Washers
7#	4	M10X1.5-35 Hex Bolts	15#	12	M8 Nylon Lock Nuts
8#	14	M10 Flat Washers			



Hardware Package B (For Step Pedals Installation)					
Item	QTY	Description	Item	QTY	Description
1#	24	M8X1.25-25 Hex Bolts	3#	24	M8 Lock Washers
2#	24	M8 Large Flat Washers			

1# 2# 3#

Customer Support: info@iarmorauto.com

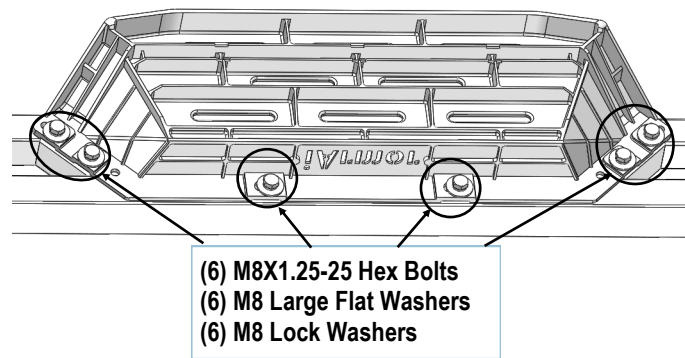
iArmor®

The instruction here is for your reference only. We strongly recommend the professional installer for best result. We are not responsible for any damage caused by the installation.

STEP 1

Install (4) Pedals onto the step bars with (24) M8X1.25-25mm Hex Bolts, (24) M8 Large Flat Washers and (24) M8 Lock Washers.

IMPORTANT: Don't hit the pedal with any metal hammer within pedal installation, or the pedal will be damaged.

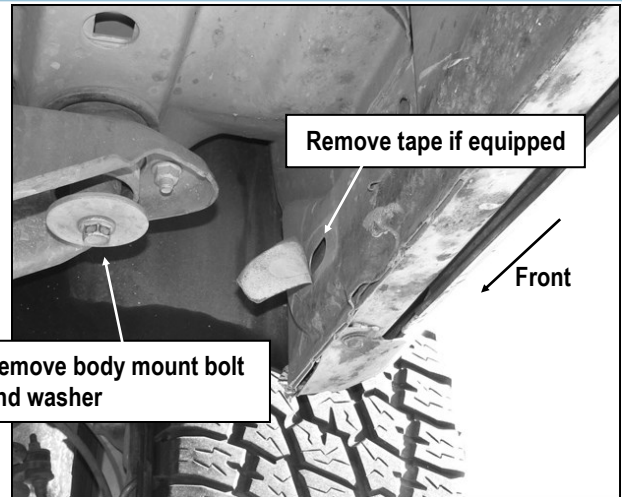


STEP 2

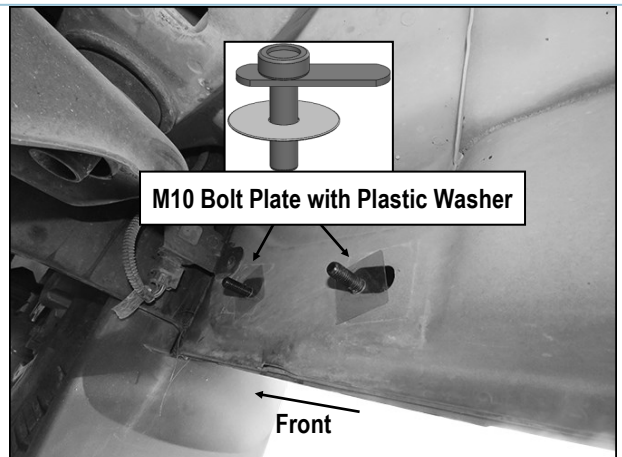
Start installation from the passenger side front of the vehicle. Remove the tape covering the factory holes on the rocker panel if equipped. Remove the body mount bolt and washer, (Fig 1).

Insert (2) M10X35 Bolt Plates into the holes on the rocker panel. Thread (2) M10 Plastic Washers to the bolt plates to hold them in place, (Fig 2).

NOTE: The Plastic Washer is designed to keep the Bolt Plate in place to avoid falling into the body panel during bracket installation.



(Fig 1) Passenger Side Front Mounting Location

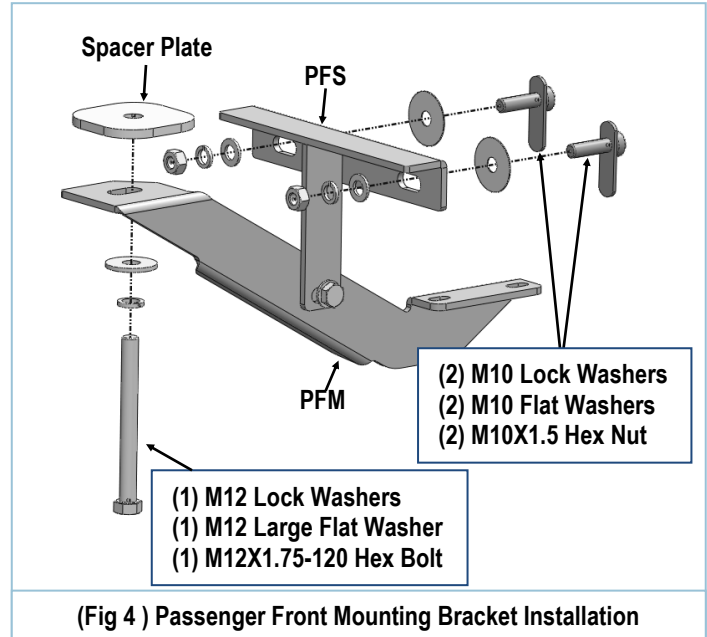
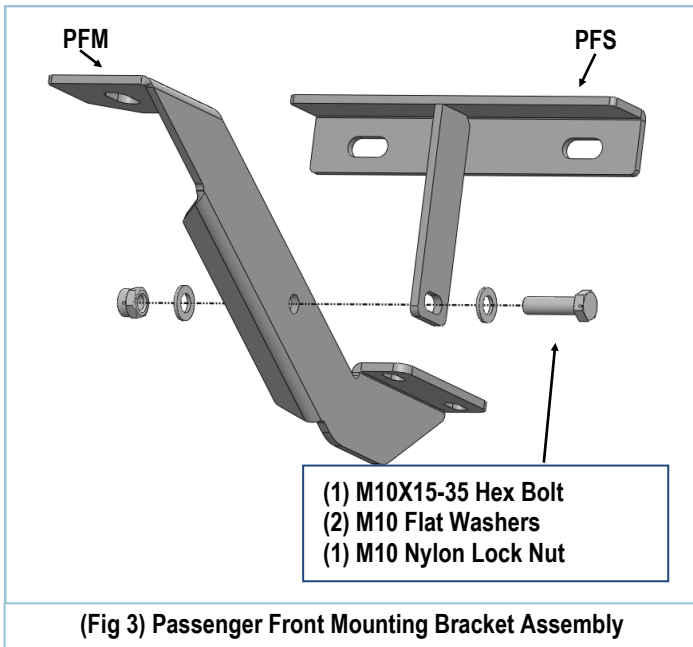


(Fig 2) M10 Bolt Plates with M10 Plastic Washers (on Passenger Side Front Mounting Location)

STEP 3

Assemble Passenger Side Front Mounting Bracket (PFM) and Passenger Side Front Support Bracket (PFS), (Fig 3). Do not fully tighten hardware at this time.

iArmor®



STEP 4

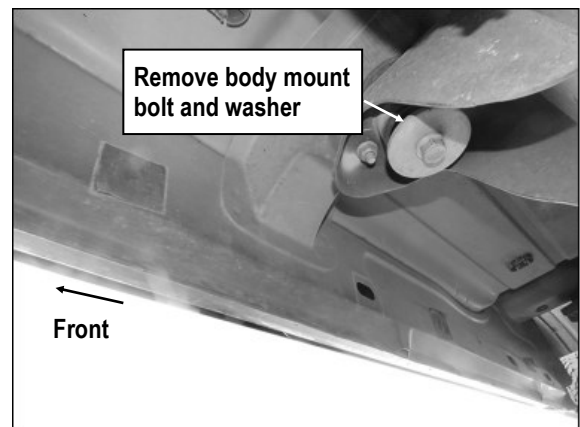
Attach the Passenger Front Support Bracket (**PFS**) to the installed M10 Bolt Plates with (2) M10 Flat Washers, (2) M10 Lock Washers and (2) M10X1.5 Hex Nuts, (**Fig 4**). Don't fully tighten hardware at this time.

Insert (1) Spacer Plate between Front Mounting Bracket and factory rubber bushing. Attach the Passenger Front Mounting Bracket (**PFM**) to the body mount with (1) M12X1.75-120 Hex Bolt, (1) M12 Lock Washer, (1) M12 Large Flat Washer, (**Fig 4**). Don't fully tighten hardware at this time.

Note: Insert (1) Spacer Plate between each Front / Center / Rear Mounting Bracket and factory rubber bushing.

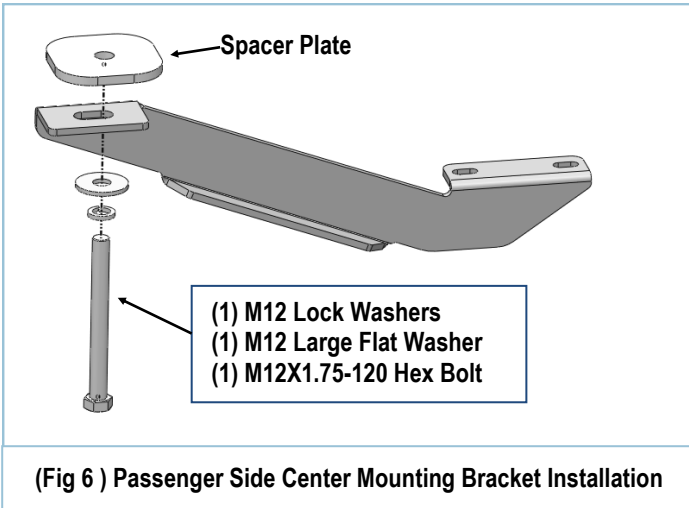
STEP 5

Move to Passenger side Center Mounting Location, (**Fig 5**). Remove the body mount bolt and washer. Insert (1) Spacer Plate between Front Center Mounting Bracket and factory rubber bushing. Then install Passenger Center Mounting Bracket (**PCM**) to the center body mount with (1) M12X1.75-120 Hex Bolt, (1) M12 Lock Washer, (1) M12 Large Flat Washer, (**Fig 6**). Don't fully tighten hardware at this time.



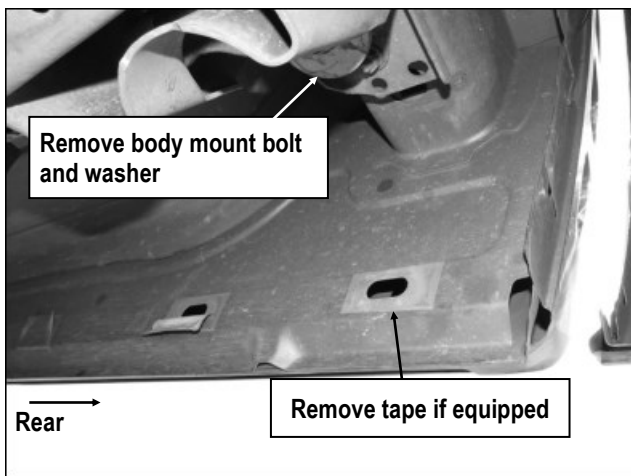
(Fig 5) Passenger Side Center Mounting Location

iArmor®

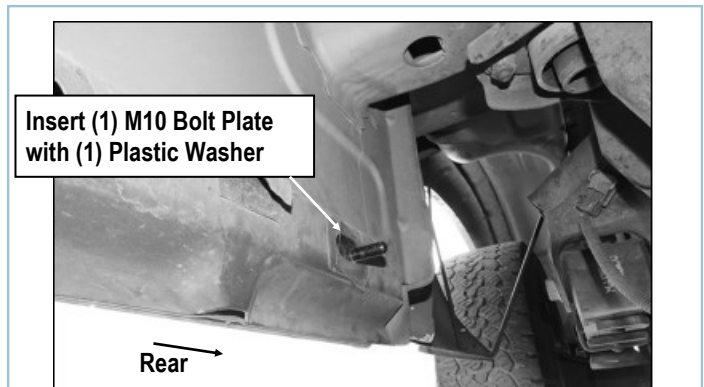


STEP 6

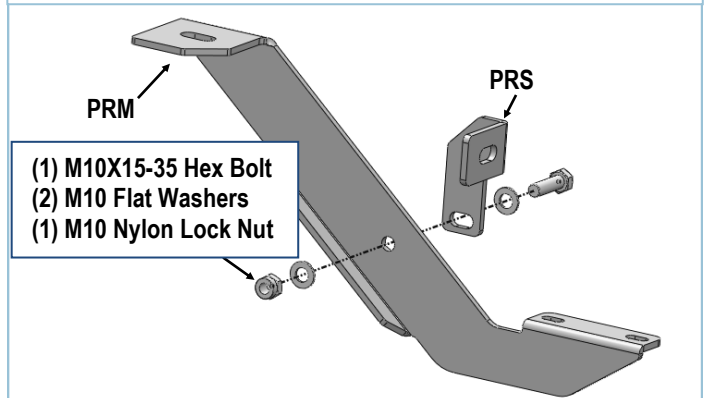
Move to Passenger Side Rear Mounting Location, (Fig 7). Only (1) Oval hole on the rocker panel will be used. Repeat Steps 1-4 to install Passenger Side Rear Mounting Brackets (PRM & PRS), (Fig 8-10). Don't fully tighten hardware at this time.



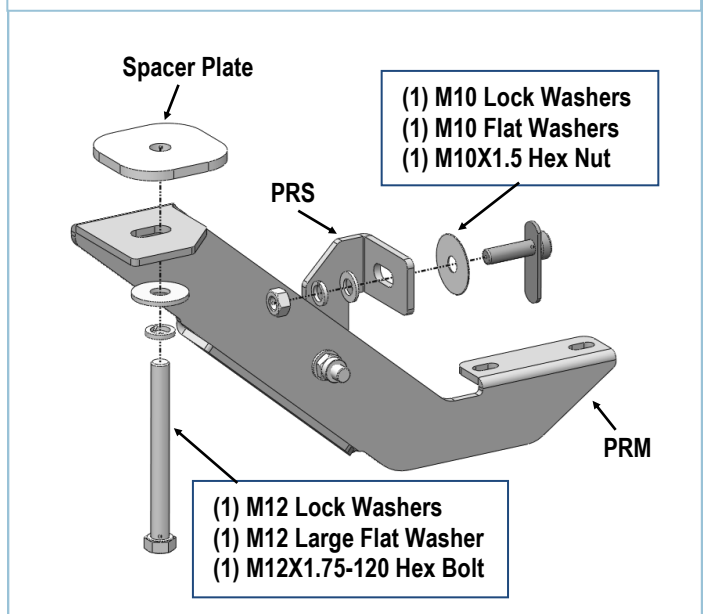
(Fig 7) Passenger Side Rear Mounting Location



(Fig 8) Insert M10 Bolt Plate with (1) M10 Plastic Washer (on Passenger Side Rear Mounting Location)



(Fig 9) Passenger Rear Mounting Brackets Assembly



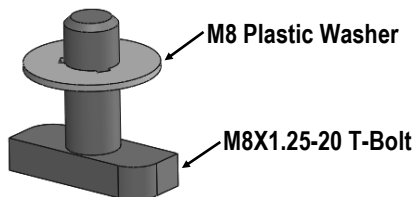
(Fig10) Passenger Side Rear Mounting Bracket Installation

iArmor®

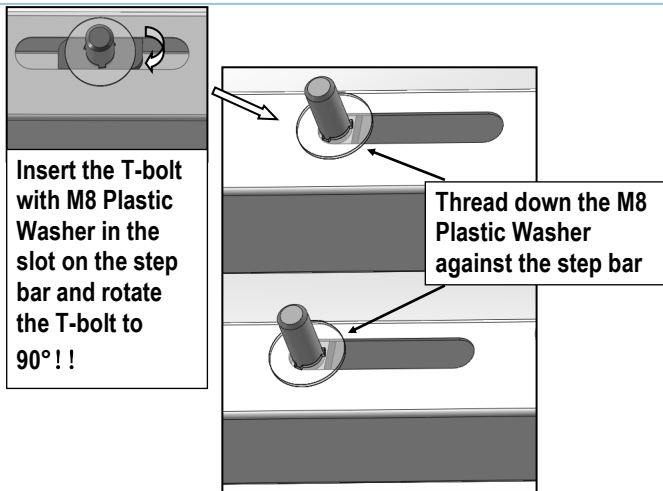
STEP 7

Once (3) brackets have been installed, select (6) M8X1.25-20mm T-Bolts, thread (1) M8 Plastic Washer on each T-Bolt, (Fig 11). Install the (6) M8X1.25-20mm T-Bolts with plastic washers in the slots on the assembled Passenger side step bar. Rotate the T-Bolts to 90 degree, thread down the M8 Plastic Washers against the step bar (Fig 12).

NOTE: The Plastic Washer is designed to keep the T-Bolt in place to avoid falling into the tube during installation.



(Fig 11) Thread (1) M8 Plastic Washer on each T-Bolt Before Inserting into the slot !!!



(Fig 12) T-Bolt with plastic washer in the slot

STEP 8

Attach the Assembled Passenger Side Step Bar onto the Mounting Brackets with (6) M8 Plastic Washers, (6) M8X1.25-20mm T-Bolts, (6) M8 Large Flat Washers, (6) M8 Nylon Lock Nuts, (Fig 13). Do not fully tighten hardware at this time.

STEP 9

Level and adjust the assembled Step Bar properly and tighten all hardware.

Move to the other side of the vehicle. Repeat **Steps 2-8** for the other side step bar installation.

Attention

Do periodic inspections to the installation to make sure that all hardware is secure and tight.

In order to protect your bars/boards, please use mild soap/non-abrasive products for cleaning only.

iArmor®

(Fig 13) Passenger Side Step Installation

