

iArmor[®]

IARMOR EDGE™

PART#: IA-N258

BEFORE INSTALLATION

REMOVE CONTENTS FROM BOX. VERIFY ALL PARTS ARE PRESENT. READ INSTRUCTIONS CAREFULLY BEFORE STARTING INSTALLATION. ASSISTANCE IS RECOMMENDED. THANK YOU FOR CHOOSING OUR PRODUCT!

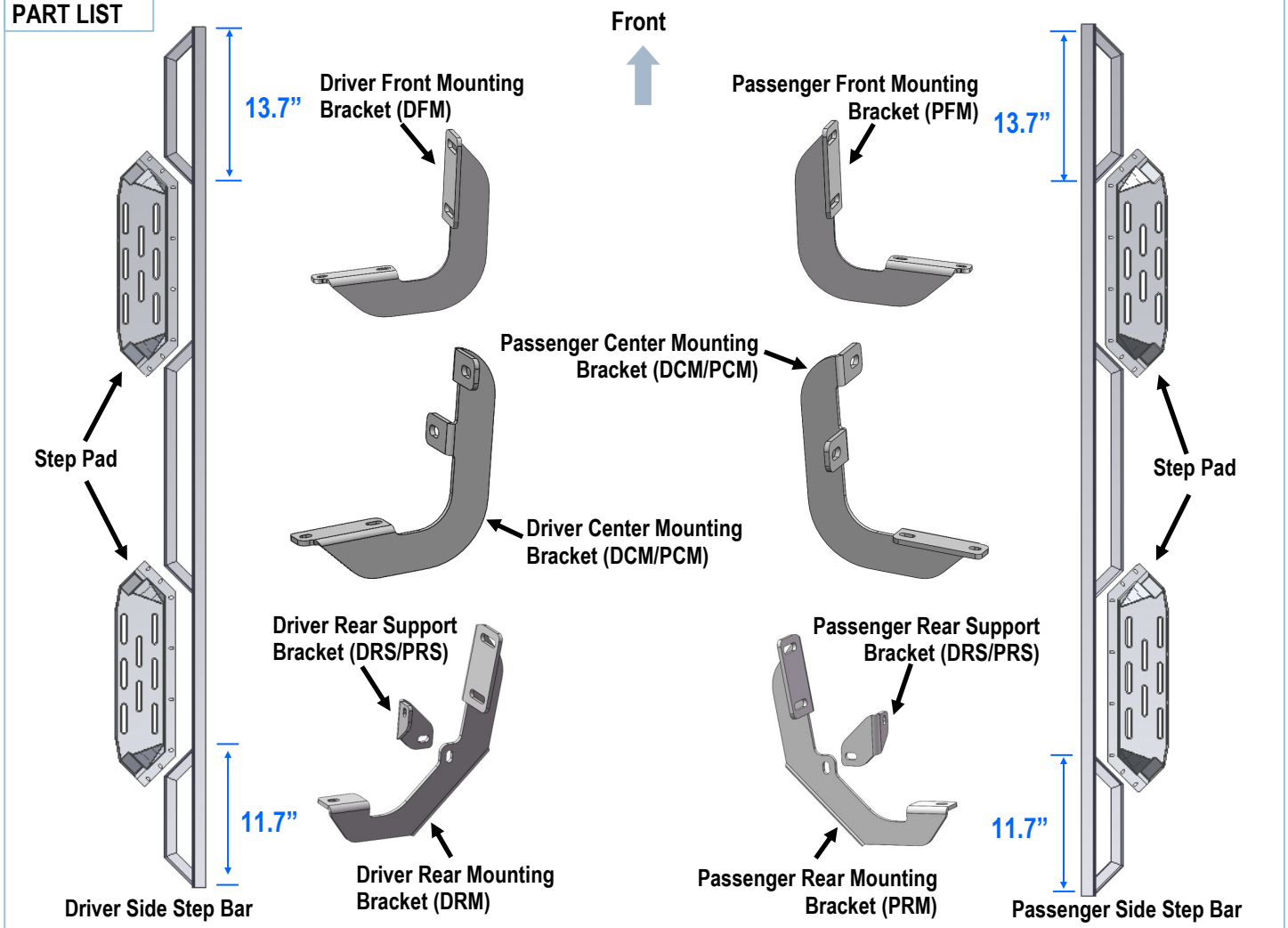
*DRILLING NOT REQUIRED

*TRIMMING NOT REQUIRED

Torque Value

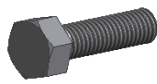
Fastener Size	Tightening Torque (ft-lbs)	Required
6mm	6-7	√
8mm	16-18	√
10mm	31-32	X
12mm	56-58	X
14mm	92-94	X

PART LIST



Customer Support: info@iarmorauto.com

iArmor®



X2

M8X1.25-30mm Hex Bolt



X16

M8 Flat Washer



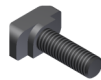
X14

M8X1.25 Nylon Lock Nut



X4

M6X1-20mm Square Head Bolt



X40

M6X1-20mm T-Bolt



X44

M6 Large Flat Washer



X44

M6X1 Nylon Lock Nut

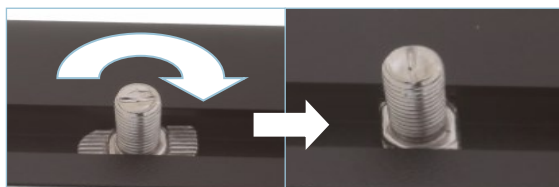
The instruction here is for your reference only. We strongly recommend the professional installer for best result. We are not responsible for any damage caused by the installation.

STEP 1

Install the Step Pads onto the step bars with (32) M6X1-20mm T-Bolts, (32) M6 Large Flat Washers and (32) M6X1 Nylon Lock Nuts.

IMPORTANT: Don't hit the step pad by any metal hammer within step pad installation, or the step pad will be damaged.

(8) M6X1-20 T-Bolts
(8) M6 Flat Washers
(8) M6 Nylon Lock Nuts

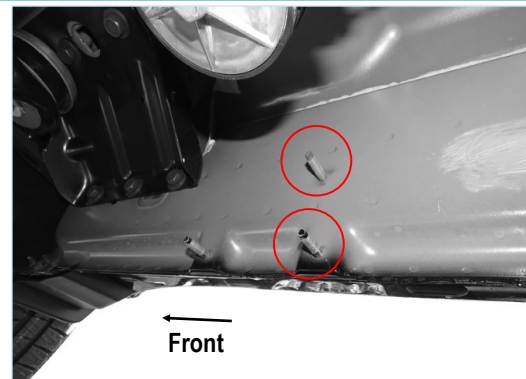


Note: Rotate 90° after inserting the T-Bolts into the Channel!!!

STEP 2

Start the installation under the passenger side of the vehicle. Locate the front (2) factory studs on the body panel, (Fig 1).

NOTE: Use a wire brush to remove paint buildup on the threaded studs before installing brackets.

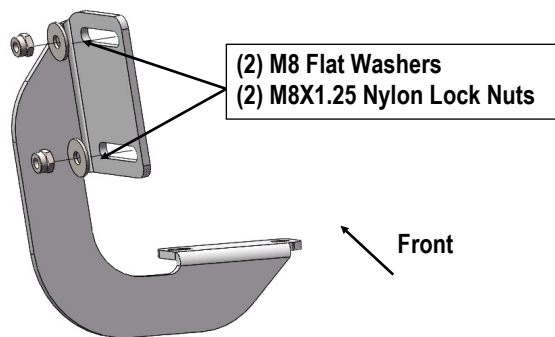


(Fig 1) Passenger Side Front Mounting Location

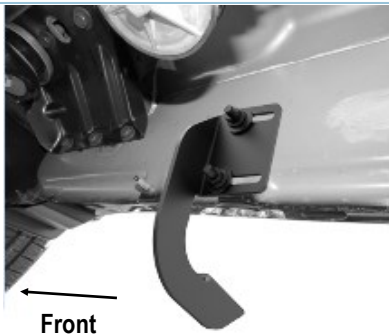
STEP 3

Select (1) Passenger Front Mounting Bracket (PFM). Attach the Bracket to the (2) factory studs with (2) M8 Flat Washers and (2) M8X1.25 Nylon Lock Nuts, (Fig 2 & 3). Leave brackets loose at this time.

iArmor[®]



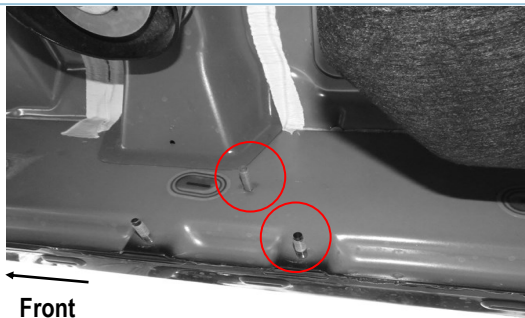
(Fig 2) Passenger Front Mounting Bracket Installation



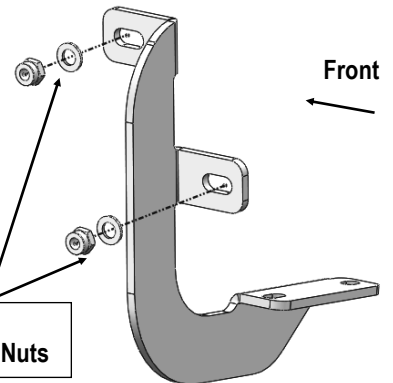
(Fig 3) Passenger Front Mounting Bracket Installed

STEP 4

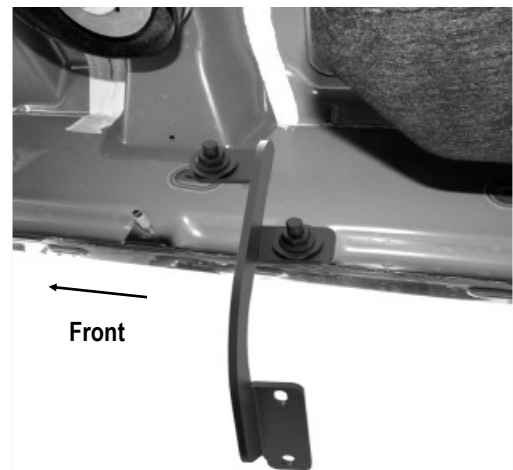
Move to the Passenger Center Mounting position (Fig 4), and repeat **step 3** to install the Passenger Center Mounting Bracket (PCM/DCM) (Fig 5 & 6).



(Fig 4) Passenger Side Center Mounting Location



(Fig 5) Passenger Center Mounting Bracket Installation

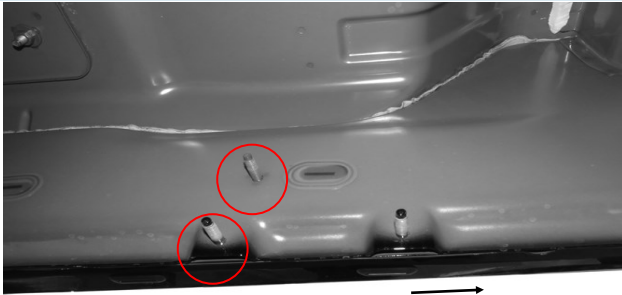


(Fig 6) Passenger Center Mounting Bracket Installed

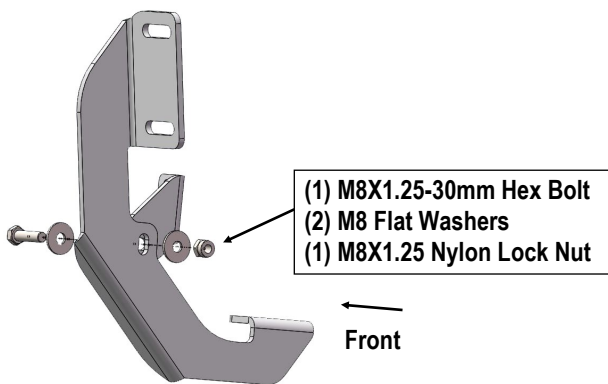
STEP 5

Move to the Passenger Rear Mounting position (Fig 7), attach the Passenger Rear Support Bracket (PRS) to the Passenger Rear Mounting Bracket (PRM) with (1) M8X1.25-30mm Hex Bolt, (2) M8 Flat Washers and (1) M8X1.25 Nylon Lock Nut, (Fig 8).

iArmor[®]



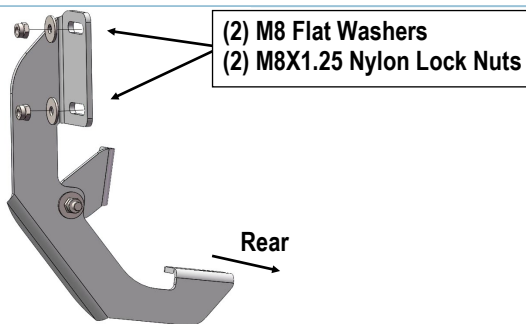
(Fig 7) Passenger Side Rear Mounting Location



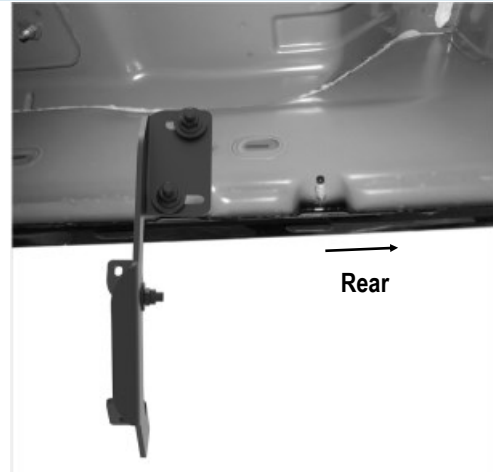
(Fig 8) Passenger Side Rear Brackets Assembled

STEP 6

Repeat **step 3** to install the Passenger Rear Mounting Bracket (PRM) (Fig 9 & 10).



(Fig 9) Passenger Rear Mounting Bracket Located



(Fig 10) Passenger Side Rear Brackets Installed

STEP 7

Attach the assembled Step Bar to the Brackets using (4) M6X1-20mm T-Bolts, (2) M6X1-20mm Square Head Bolts, (6) M6 Flat Washers and (6) M6X1 Nylon Lock Nuts, (Fig 11). Do not FULLY tighten hardware at this time.

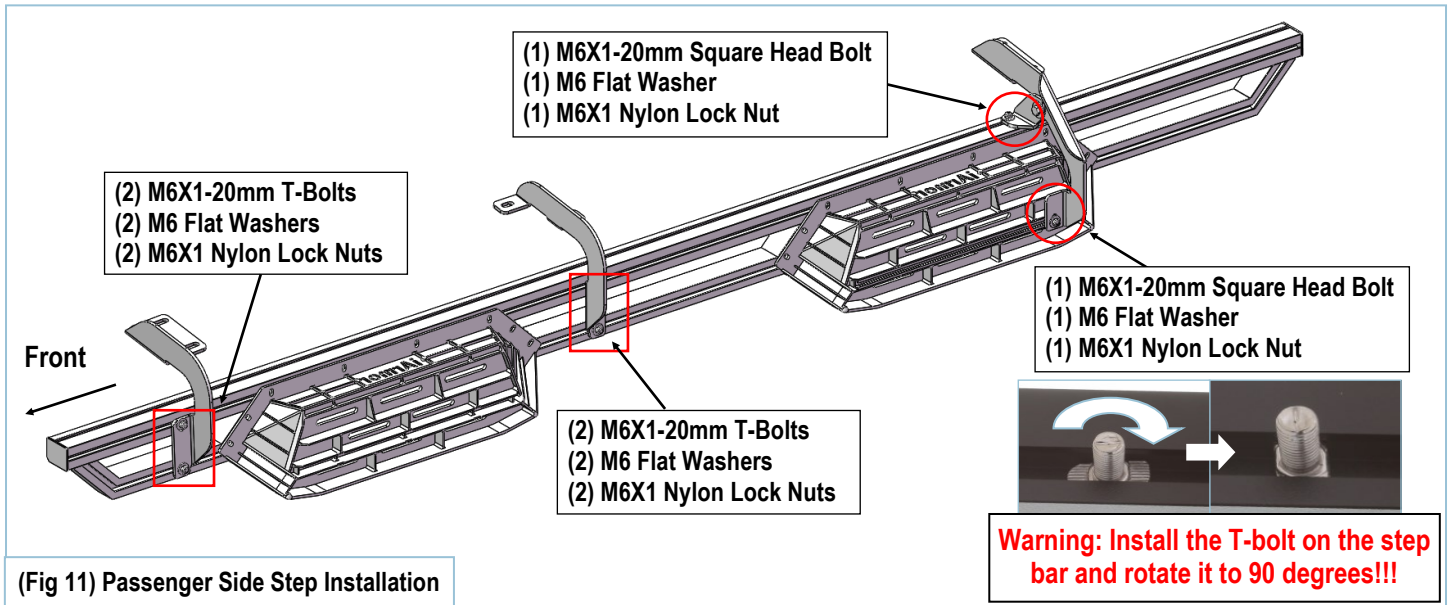
STEP 8

Level and adjust the Step Bar as necessary and fully tighten all hardware.

STEP 9

Move to the Driver side of the vehicle. Repeat **Steps 2-8** for the Driver Side Step Bar installation.

iArmor®



Attention

Do periodic inspections to the installation to make sure that all hardware is secure and tight.
In order to protect your bars/boards, please use only mild soap/non-abrasive products for cleaning.