

# iArmor<sup>®</sup>

## IARMOR EDGE™

PART#: IA-W007

### BEFORE INSTALLATION

REMOVE CONTENTS FROM BOX. VERIFY ALL PARTS ARE PRESENT. READ INSTRUCTIONS CAREFULLY BEFORE STARTING INSTALLATION. ASSISTANCE IS RECOMMENDED. THANK YOU FOR CHOOSING OUR PRODUCT!

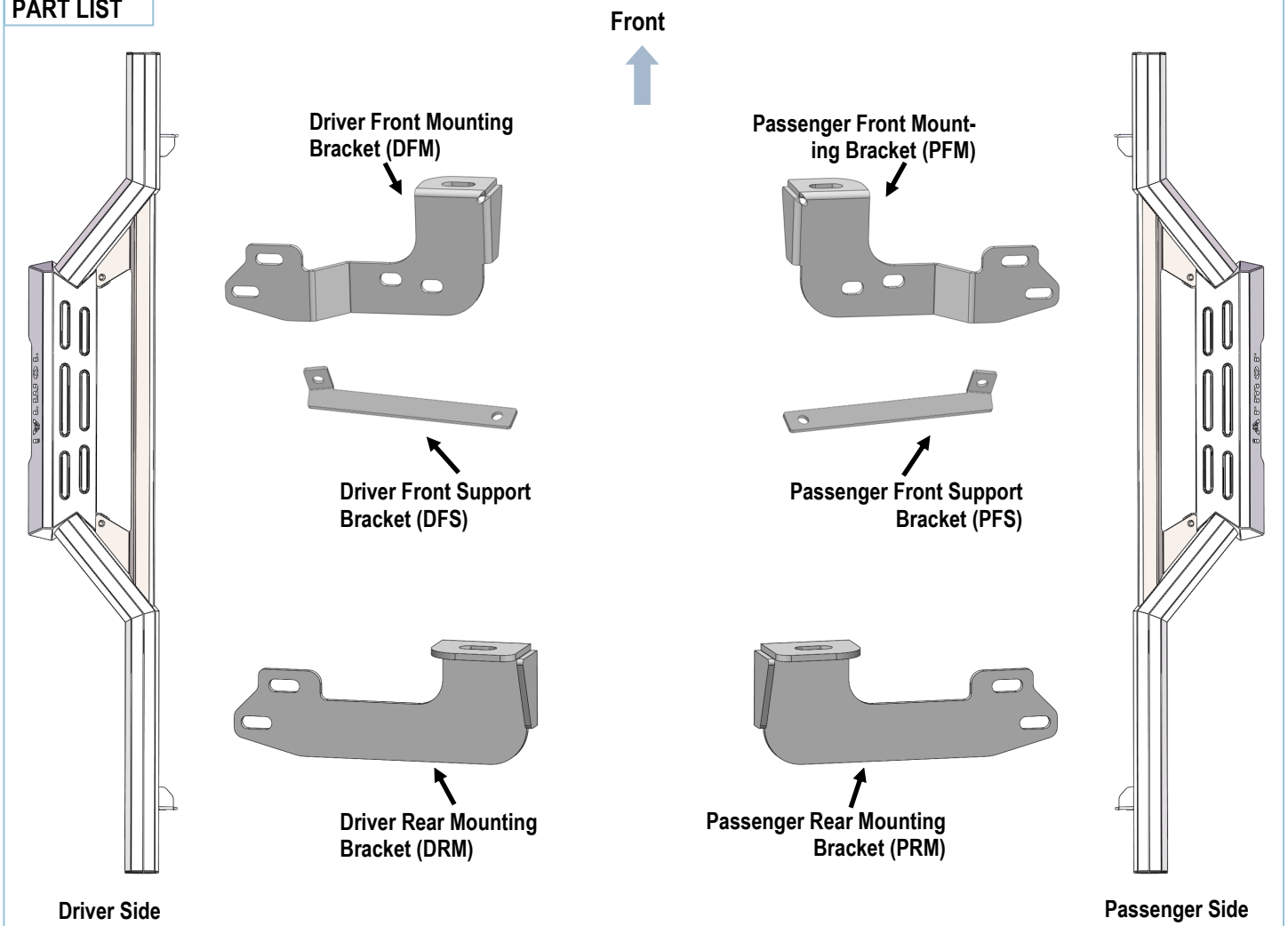
**\*BODY FRAME MOUNT**

**\*DRILLING/TRIMMING NOT REQUIRED**

### Torque Value

Fastener Size	Tightening Torque (ft-lbs)	Required
6mm	6-7	X
8mm	16-18	X
10mm	31-32	√
12mm	56-58	X
14mm	92-94	X

### PART LIST

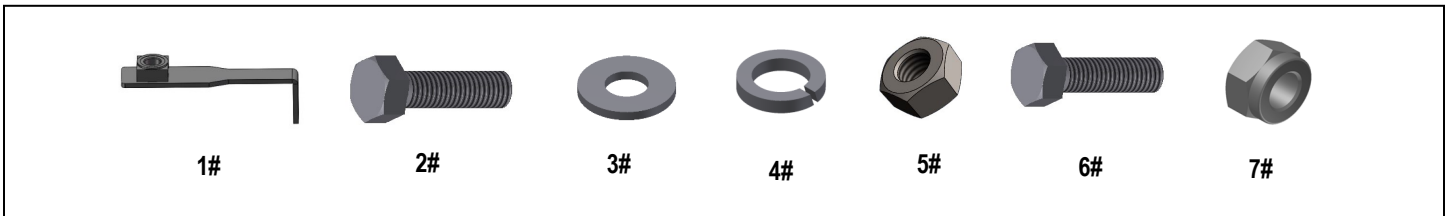


Customer Support: [info@iarmorauto.com](mailto:info@iarmorauto.com)

# iArmor®

## Hardware Package (For Brackets & Step Bars Installation)

Item	QTY	Description	Item	QTY	Description
1#	2	M10 Nut Plates	5#	2	M10X1.5 Hex Nuts
2#	4	M10X1.5-30 Hex Bolts	6#	8	M10X1.5-25 Hex Bolts
3#	22	M10 Flat Washers	7#	8	M10X1.5 Nylon Lock Nuts
4#	4	M10 Lock Washers			

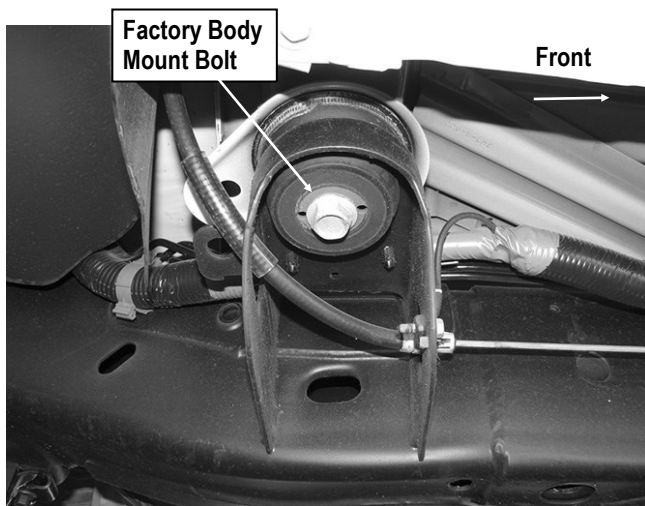


# iArmor®

The instruction here is for your reference only. We strongly recommend the professional installer for best result. We are not responsible for any damage caused by the installation.

## STEP 1

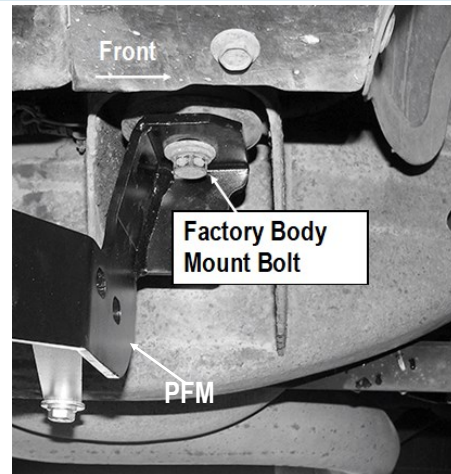
Starting from the passenger side of the vehicle. Remove the front body mount bolt, (**Fig 1**). Do not remove rubber bushings.



(Fig 1) Passenger Side Front Mounting Location

## STEP 2

Attach the Passenger Front Mounting Bracket (**PFM**) to the body mount reusing the factory hex bolt, (**Fig 2**). Do not fully tighten hardware at this time.

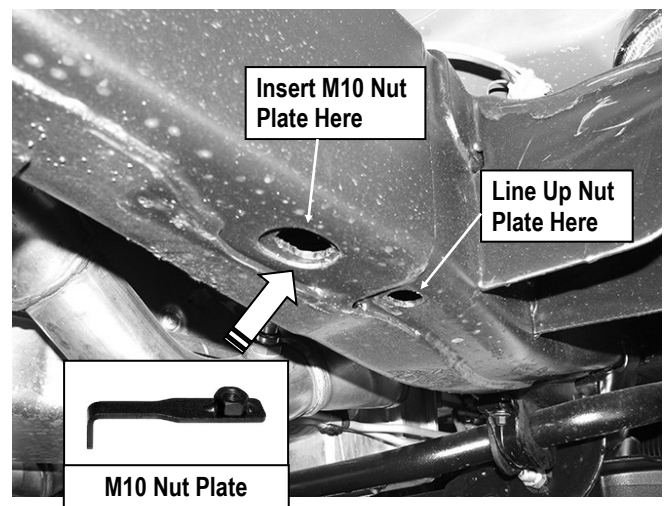


(Fig 2) Passenger Front Mounting Bracket Installed

## STEP 3

Locate the (2) factory holes at the bottom of the frame beside the passenger side front body mount, (**Fig 3**). Insert (1) M10 Nut Plate into the oval hole and line up the threaded nut with the round hole, (**Fig 3**).

**NOTE:** Nut Plate and Support Brackets are not required on 11-Up 2500/3500 models.



(Fig 3) Passenger Side Front Support Bracket Mounting Location

# iArmor®

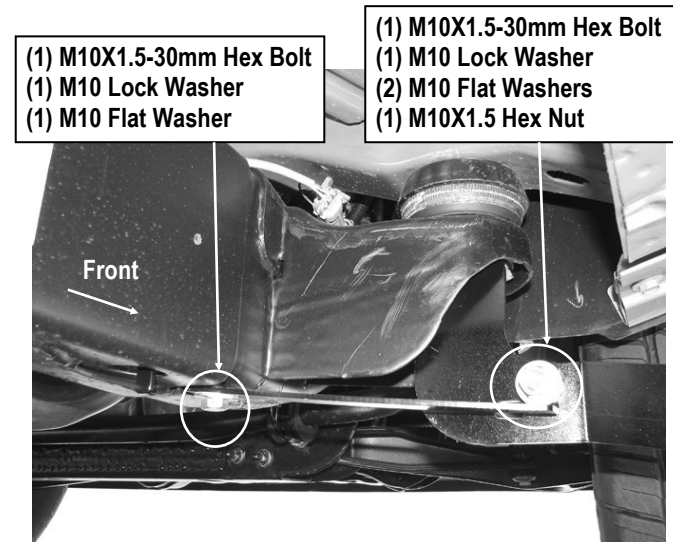
## STEP 4

Attach the flat end of the Passenger Front Support Bracket (PFS) to the installed M10 Nut Plate with (1) M10X1.5-30mm Hex Bolt, (1) M10 Flat Washer and (1) M10 Lock Washer, (Figs 4 & 5). Do not fully tighten hardware at this time.

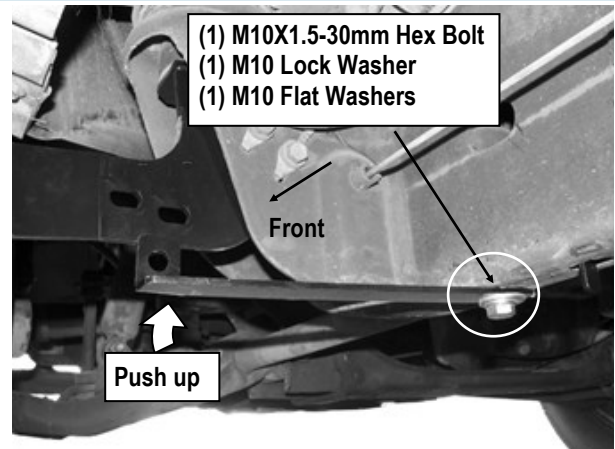
### Up to 2010 2500/3500 Models:

Note that the Front Support Bracket will not reach up to the Mounting Bracket, (Fig 5). Tighten the Support Bracket to the M10 Nut Plate in the frame. Carefully push up on the Support Bracket until it reaches the inside hole in the Mounting Bracket. Bolt the Support Bracket to the hole in the Mounting Bracket with (1) M10X1.5-30mm Hex Bolt, (2) M10 Flat Washers, (1) M10 Lock Washer and (1) M10X1.5 Hex Nut, (Figs 5 & 6). Do not fully tighten hardware at this time.

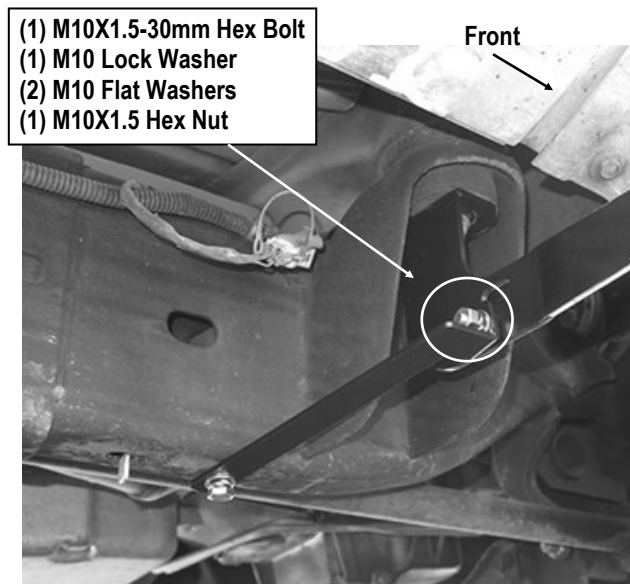
**NOTE: Support Bracket not required on 2011-Up 2500-3500 Models.**



(Fig 4) Passenger Front Support Bracket Installation (For 1500 Model)



(Fig 5) Passenger Front Support Bracket Installation (For Up to 2010 2500/3500 Models)

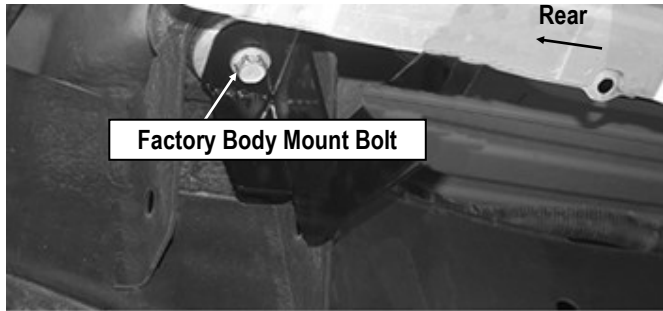


(Fig 6) Passenger Front Support Bracket Installation

## STEP 5

Move to the Passenger Side Rear body mount. Repeat **Step 2** to attach the Passenger Rear Mounting Bracket to the body mount, (Fig 7). Do not fully tighten hardware at this time.

# iArmor®



(Fig 7) Passenger Rear Mounting Bracket Installation

## STEP 6

Once all (2) Mounting Brackets have been installed, attach the Passenger Side Bar to the installed Brackets with (4) M10X1.5-25 Hex Bolts, (8) M10 Flat Washers and (4) M10X1.5 Nylon Lock Nuts, (Fig 8). Do not fully tighten hardware at this time.

Properly level and adjust the Step Bar and fully tighten all hardware.

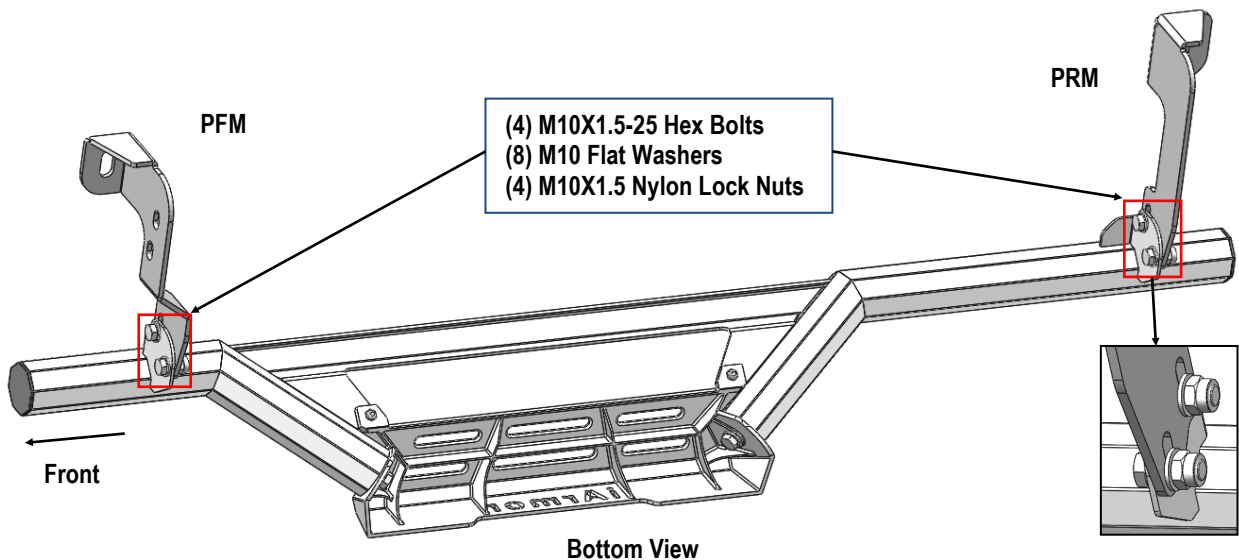
## STEP 7

Move to the other side of the vehicle. Repeat **Steps 1-6** for the other side step bar installation.

### Attention

**Do periodic inspections to the installation to make sure that all hardware is secure and tight.**

**In order to protect your bars/boards, please use mild soap/non-abrasive products for cleaning only.**



(Fig 8) Passenger Side Step Bar Installation