

IARMOR EDGE™

PART#: IA-W197

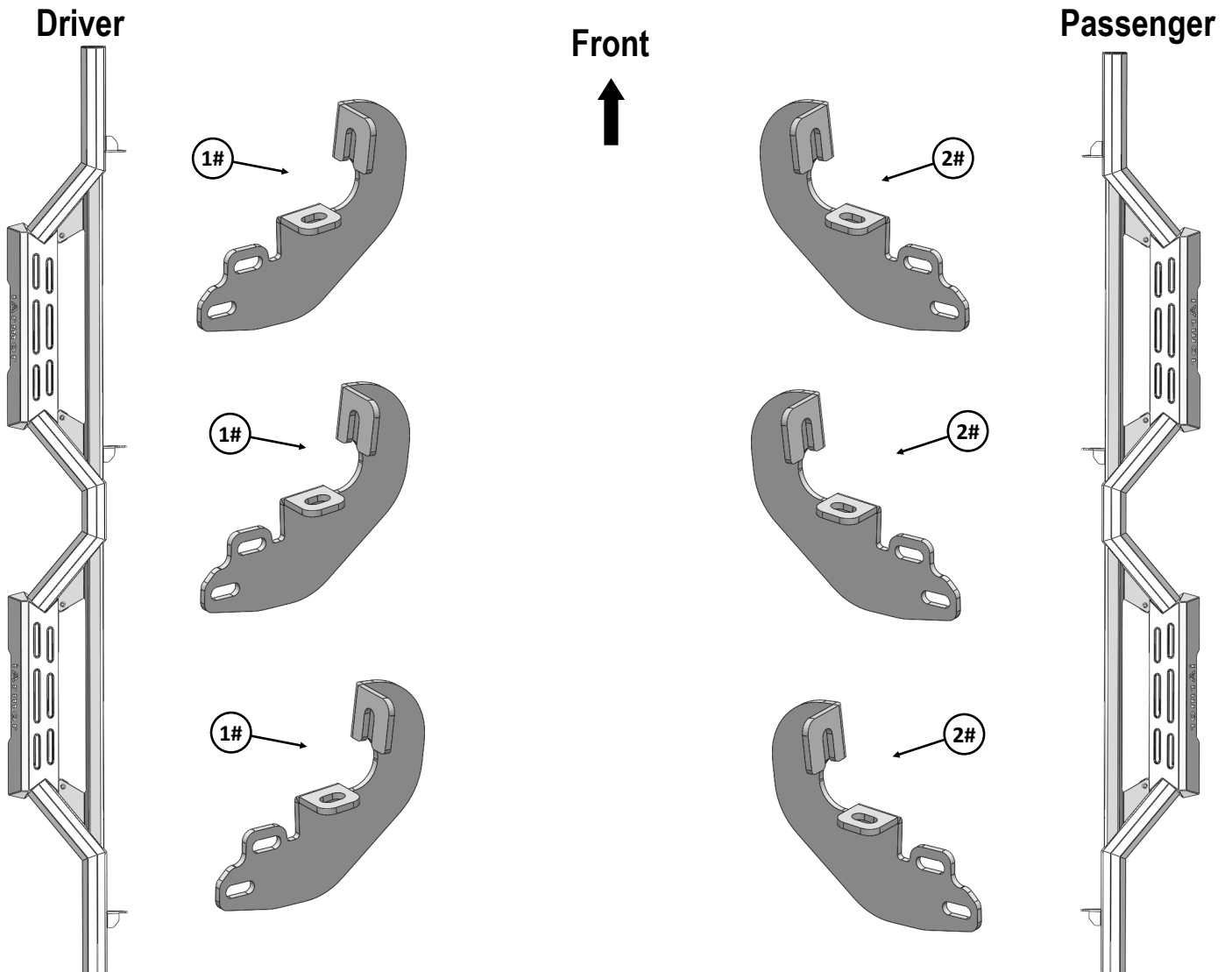
BEFORE INSTALLATION

REMOVE CONTENTS FROM BOX. VERIFY ALL PARTS ARE PRESENT. READ INSTRUCTIONS CAREFULLY BEFORE STARTING INSTALLATION. ASSISTANCE IS RECOMMENDED. THANK YOU FOR CHOOSING OUR PRODUCT!

*ROCKER PANEL MOUNT

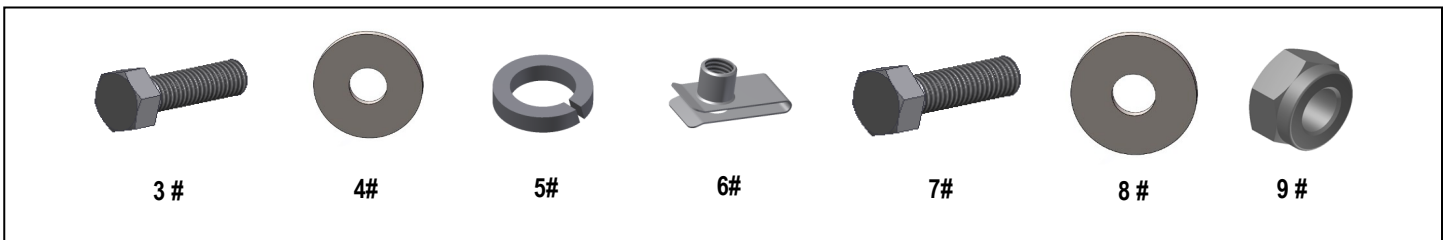
*DRILLING / TRIMMING NOT REQUIRED

Fastener Size	Tightening Torque (ft-lbs)	Required
6mm	6-7	X
8mm	16-18	√
10mm	31-32	√
12mm	56-58	X
14mm	92-94	X



iArmor[®]

Hardware Package (For Brackets & Step Bars Installation)					
Item	QTY	Description	Item	QTY	Description
1#	3	Driver Side Mounting Brackets	6#	12	M8 Clip Nut
2#	3	Passenger Side Mounting Brackets	7#	12	M10X1.5-25 Hex Bolts
3#	12	M8X1.25-30 Hex Bolts	8#	24	M10 Flat Washers
4#	12	M8 Flat Washers	9#	12	M10X1.5 Nylon Lock Nuts
5#	12	M8 Lock Washers			



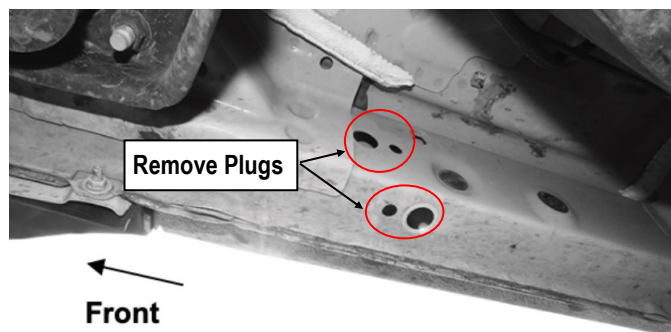
iArmor®

The instruction here is for your reference only. We strongly recommend the professional installer for best result. We are not responsible for any damage caused by the installation.

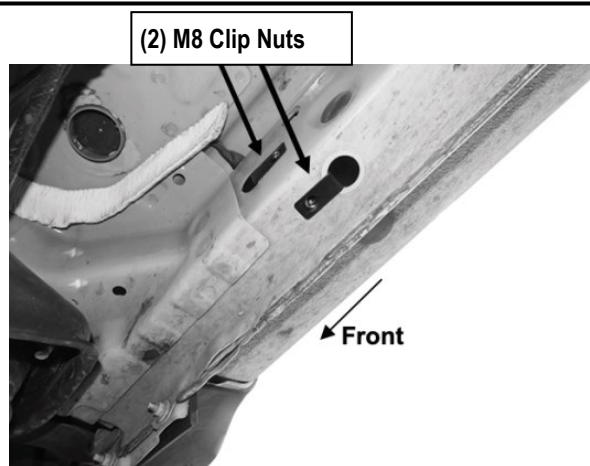
STEP 1

Start installing from the passenger side front of the vehicle, locate the front mounting location along the bottom and inner side of the body panel. Installation will use the **1st, 2nd** and **4th** mounting locations. Remove rubber plugs from the factory holes, (**Fig 1**). Slide (2) M8 Clip Nuts into large holes and over small holes, (**Fig 2**).

Note: All (3) Mounting Brackets for Passenger Side are universal. All (3) Mounting Brackets for Driver Side are universal.



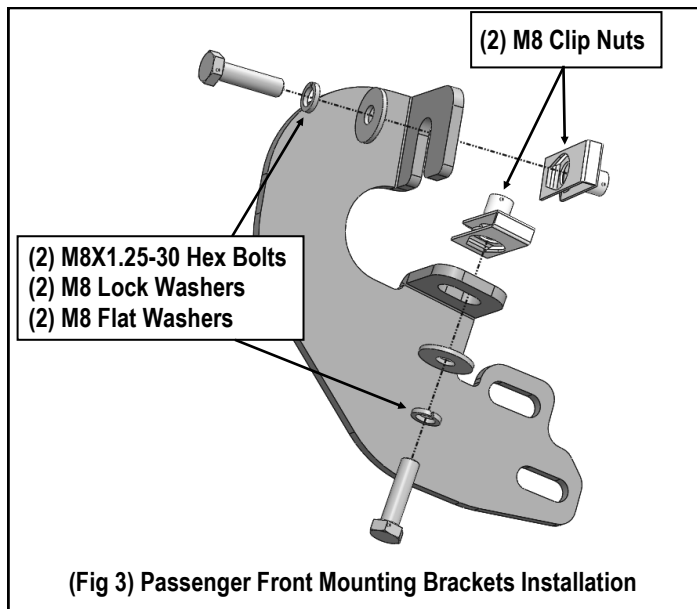
(Fig 1) Passenger Side Front Mounting Location



(Fig 2) Passenger Side Front Mounting Location

STEP 2

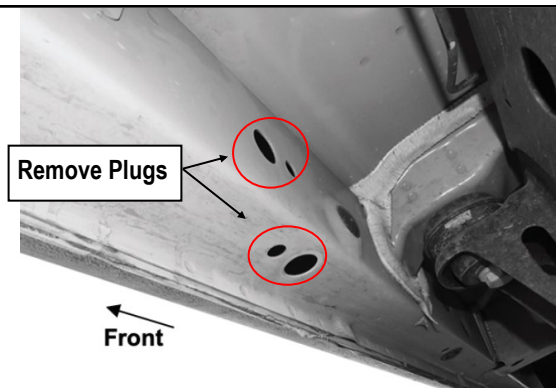
Select (1) Passenger Side Mounting Bracket, attach the bracket to the (2) M8 Clip Nuts in the vehicle with (2) M8 Hex Bolts, (2) M8 Flat Washers and (2) M8 Lock Washers, (**Fig 3**). Do not fully tighten hardware at this time.



(Fig 3) Passenger Front Mounting Brackets Installation

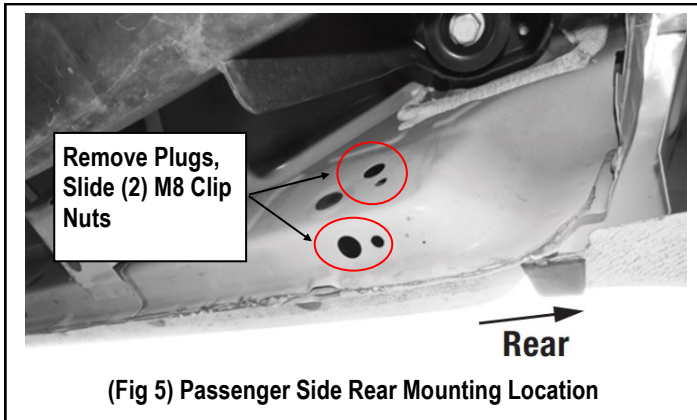
STEP 3

Repeat **Step 1** to attach the remaining Passenger Center & Rear Mounting Locations, (**Figs 4&5**). Repeat **Step 2** to install the Passenger Center & Rear Brackets. Do not fully tighten hardware at this time.



(Fig 4) Passenger Side Center Mounting Location

iArmor[®]



(Fig 5) Passenger Side Rear Mounting Location

STEP 4

Once all (3) Passenger Side Mounting Brackets have been installed, attach the Passenger Side Step Bar to the Mounting Brackets using (6) M10X1.5-25 Hex Bolts, (12) M10 Flat Washers and (6) M10X1.5 Nylon Lock Nuts, (Fig 6). Properly level and adjust the Step Bar and fully tighten all hardware.

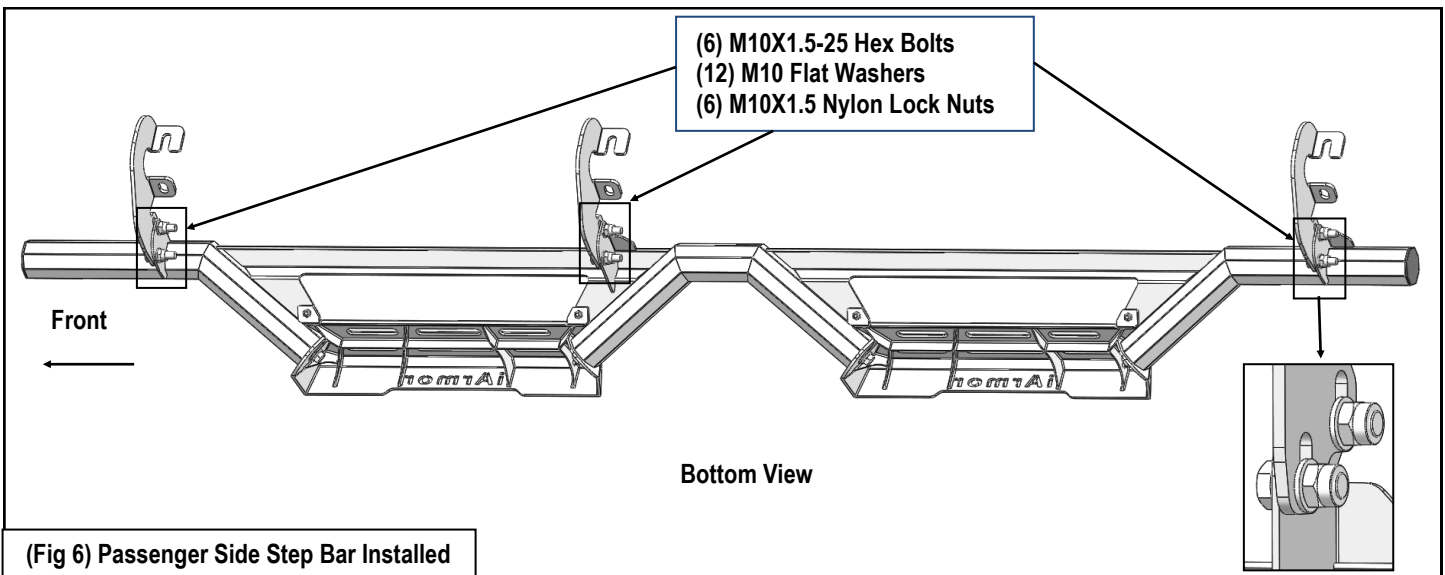
STEP 5

Move to the other side of the vehicle. Repeat **Steps 1-4** to install the other side step bar.

Attention

Do periodic inspections to the installation to make sure that all hardware is secure and tight.

In order to protect your bars/boards, please use mild soap/non-abrasive products for cleaning only.



(Fig 6) Passenger Side Step Bar Installed