

# Installation Instructions for IA03SBC3

by APS Auto Parts Specialist Inc.

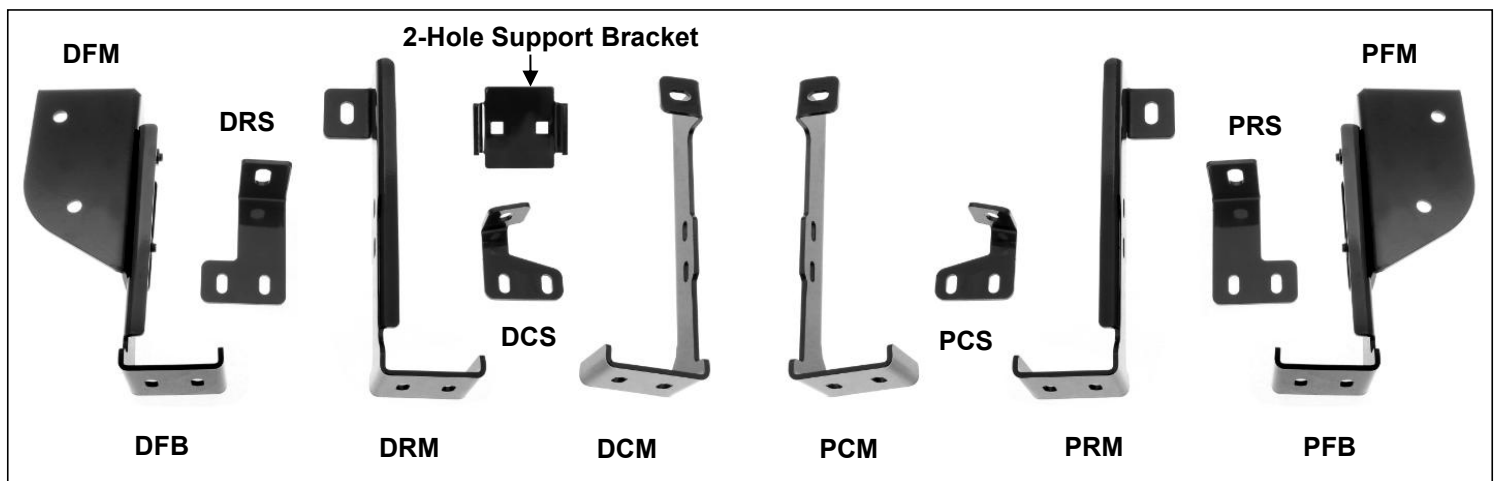
Application: For 2010-2017 Chevy Equinox / GMC Terrain (Excludes Denali Models)  
Estimated Time: 1 to 2 hours



The instruction here is for your reference only. We strongly recommend the professional installer for best result. We are not responsible for any damage caused by the installation. Thank you for choosing our product!

**PARTS LIST:**

Item	QTY	Description	Item	QTY	Description
#1	2	Driver/ Passenger Side Bar	#14	2	M12X1.75-40 Bolt Plates
#2	1	Driver Front Mounting Bracket (DFM)	#15	4	M10X1.5-35 Bolt Plates
#3	1	Passenger Front Mounting Bracket (PFM)	#16	6	M12X1.75-40 Long Bolt Plates
#4	1	Driver Center Mounting Bracket (DCM)	#17	8	M12 Flat Washers
#5	1	Passenger Center Mounting Bracket (PCM)	#18	8	M12 Lock Washers
#6	1	Driver Rear Mounting Bracket (DRM)	#19	8	M12 Hex Nuts
#7	1	Passenger Rear Mounting Bracket (PRM)	#20	12	M10X1.5-30 Hex Bolts
#8	1	Driver Front Mounting Bracket (DFB)	#21	4	M10 Large Flat Washers
#9	1	Passenger Front Mounting Bracket (PFB)	#22	36	M10 Flat Washers
#10	1	Driver Center Mounting Bracket (DCS)	#23	28	M10 Lock Washers
#11	1	Passenger Center Mounting Bracket (PCS)	#24	28	M10 Hex Nuts
#12	1	Driver Rear Mounting Bracket (DRS)	#25	12	M10X1.5-75 Carriage Bolts
#13	1	Passenger Rear Mounting Bracket (PRS)	#26	6	2-Hole Support Bracket



**PROCEDURE:**

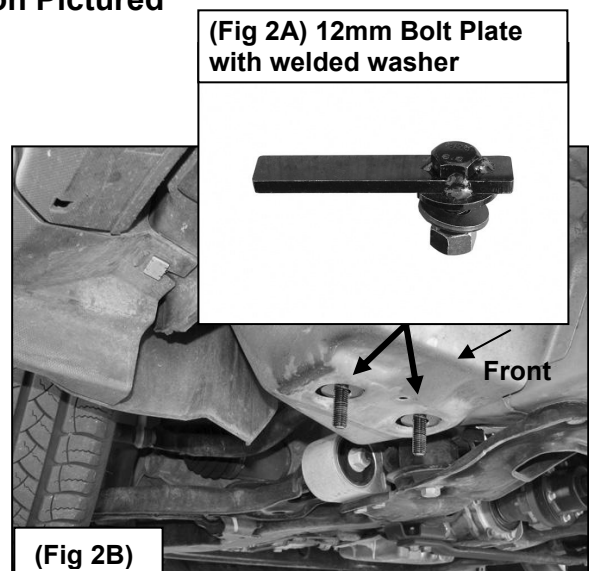
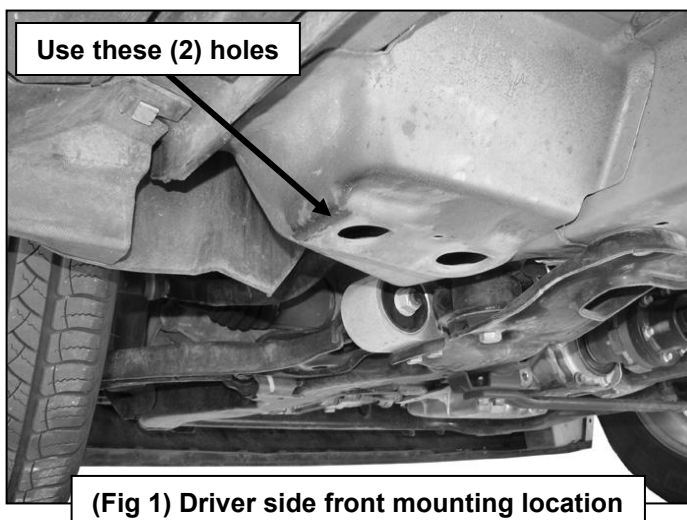
1. Remove contents from box, verify if all parts listed are present and undamaged. Carefully read and understand all instructions before starting installation.
2. Starting at the driver side-front of the vehicle, locate the two large factory holes in the floor panel by the front tires, **Figure 1**. Insert (1) M12x40 Bolt Plate w/Washer into each of the factory holes, **Figure 2A**. **IMPORTANT:** Once you have inserted the Bolt Plates, make sure that the welded washer on each Bolt Plate is in the center of the factory hole. **(Figures 2A&2B)**.
3. Select the driver side front inner Bracket. **(Figure 3)**. Bolt the inner Bracket to the (2) Bolt Plates with the included (2) M12 Flat Washers, (2) M12 Lock washers and (2) M12 Hex Nuts. Snug but do not tighten hardware at this time. **NOTE: Make sure that the welded-on washers are fully seated in the large openings in the floor at all times before tightening hardware.**
4. Bolt the driver side outer Bracket to the back of the inner Bracket with the included (2) M10 x 30 Hex Bolts, (4) M10 Flat washers, (2)M10 Lock Washers and (2) M10 Hex Nuts, **(Figure 4)**. Leave hardware loose at this time.
5. Move along the floor panel to the center of the vehicle. **(Figure 5)**. Select (2) M10 x 35 Bolt Plates, **(Figure 6)**. Insert the Bolt Plates into the (2) small holes in the bottom of the floor reinforcement. **NOTE:** The plates on the Bolt Plates should point toward each other, **(Figures 6&7)**.
6. Select the driver side Center Support Bracket. Hang the Support Bracket from the outer Bolt Plate with (1)M10 large flat washer, (1)M10 lock washer and (1)M10 hex nut, **(Figure 8)**. Leave loose at this time.

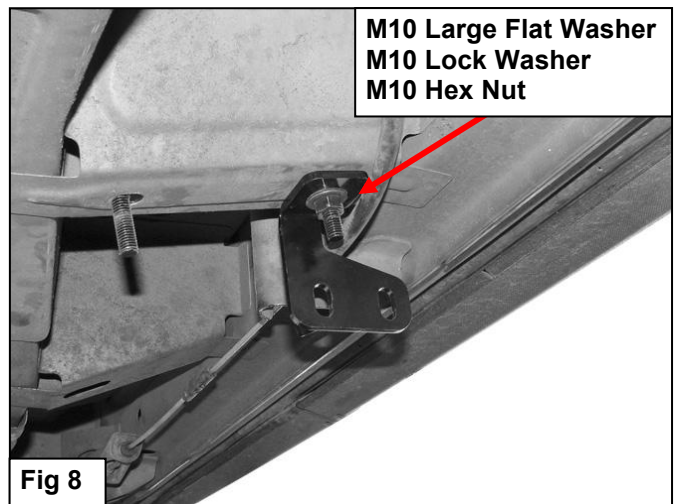
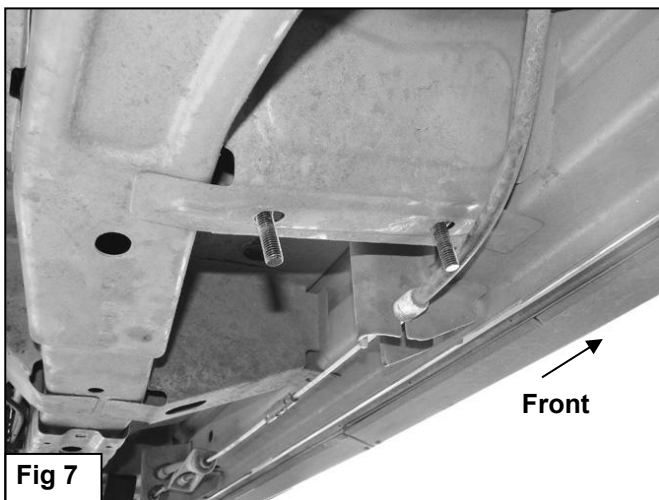
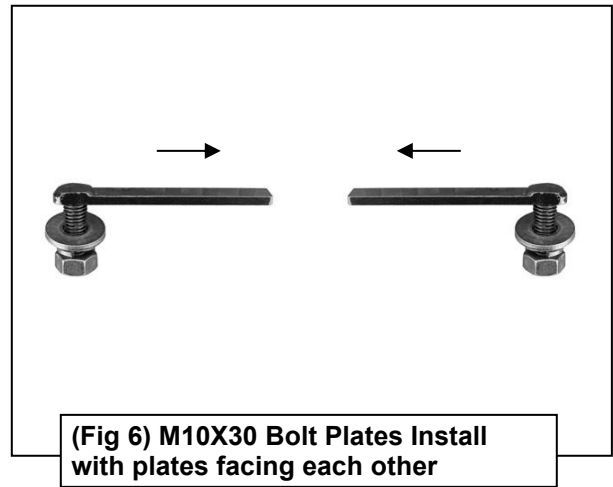
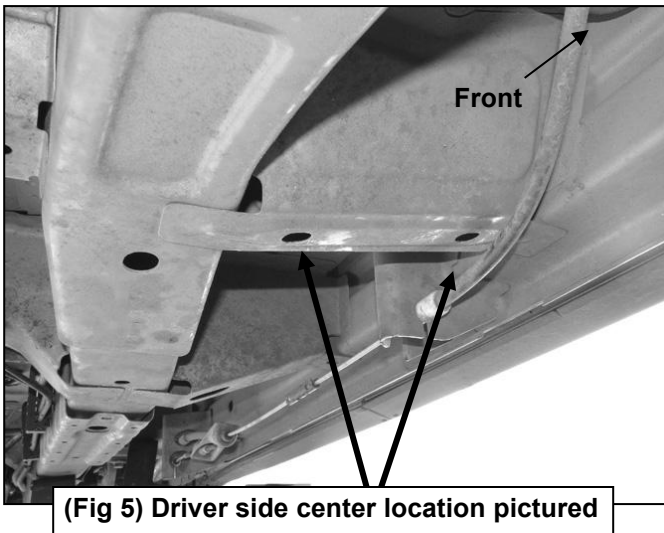
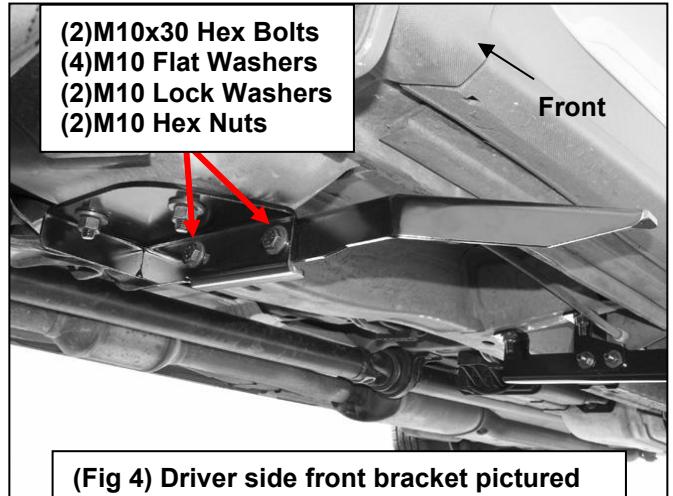
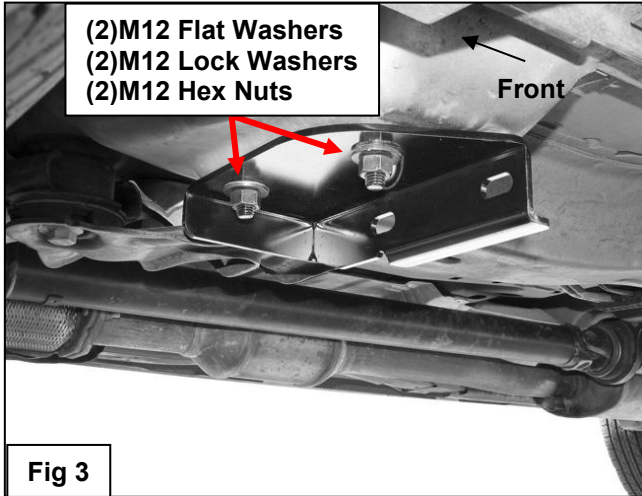
Next, repeat to attach the driver side center bracket to the inner M10 Bolt Plate, **(Figure 9)**. Leave hardware loose at this time.

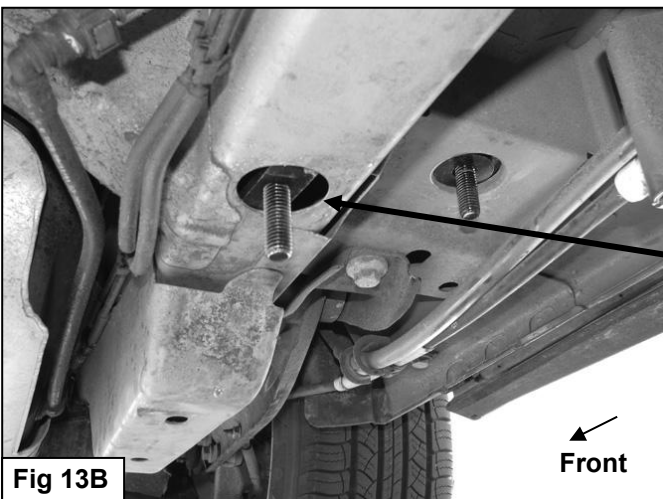
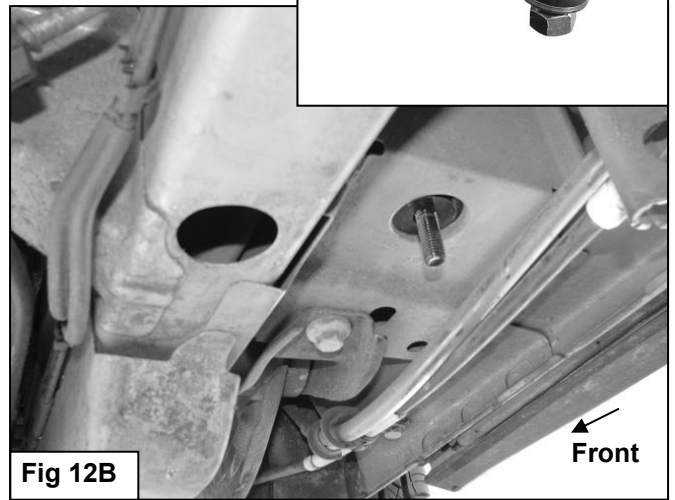
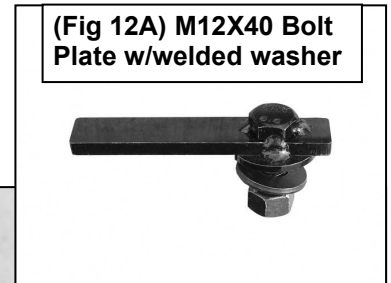
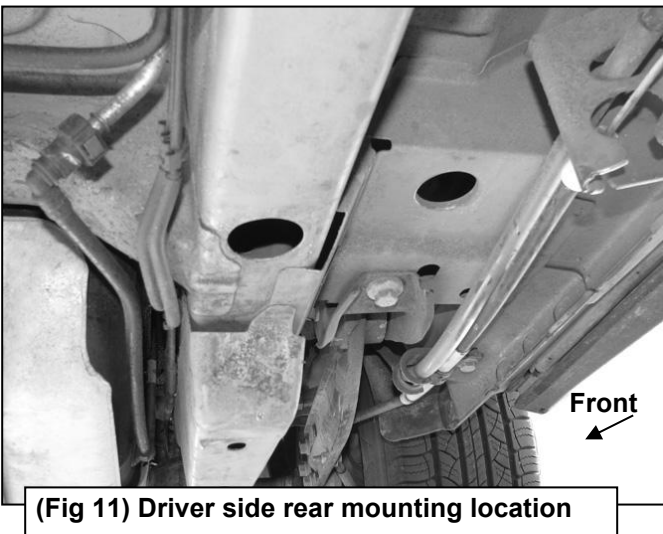
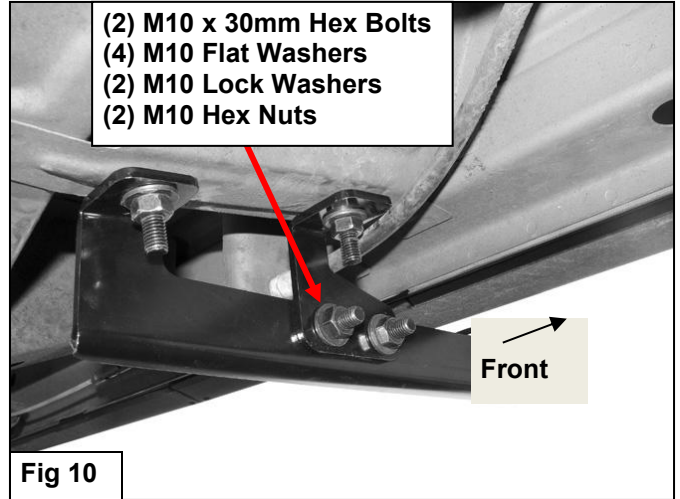
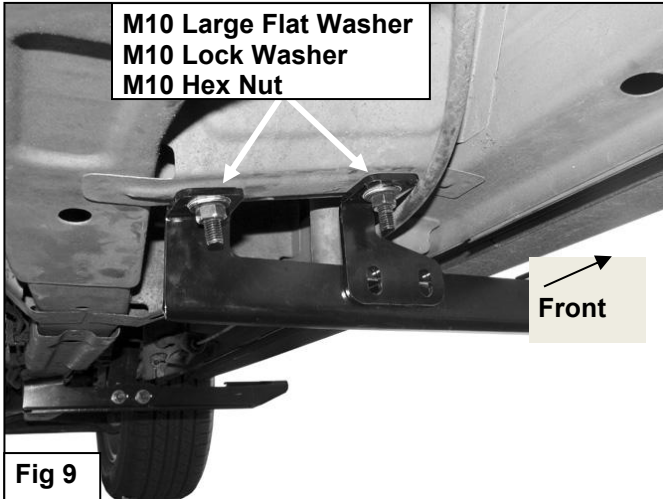
7. Bolt the Center Bracket to the back of the Center Support Bracket with (2)M10X30 Hex Bolts, (4) M10 flat washer, (2)M10 lock washer and (2)M10 hex nut, **(Figure 10)**. Leave hardware loose at this time.
8. Continue along the driver side to the rear of the vehicle. Locate the large factory hole in the bottom of the suspension mount, **(Figure 11)**. Insert (1)M12 x 40mm Bolt Plate w/Washer into the large hole in the suspension mount as described in **Step 2, (Figure 12A&12B)**. Next, locate the factory hole in the bottom of the inner frame channel. Insert(1)M12 x 40 Long Bolt Plate, (no welded washer), into the hole in the bottom of the frame channel, **(Figures 13A&13B)**.
9. Select the driver side Rear Support Bracket. Hang the Bracket from the outer Bolt Plate w/Washer with (1)M12 Large Flat Washer, (1)M12 Lock Washer and(1)M12 Hex Nut. **(Figure 14)**.Leave hardware loose at this time. Repeat to attach the driver side Rear Mounting Bracket to the inner M12 Bolt Plate in the bottom of the frame channel, **(Figure 15)**. Leave hardware loose at this time.
10. Bolt the Rear Mounting Bracket to the front of the Support Bracket with (2) M10 x 30 Hex Bolts, (4)M10 Flat Washers, (2) M10 Lock Washers and (2) M10 Hex Nuts, **(Figure 15)**. Leave hardware loose at this time.
11. Select the Driver Side Bar. Slip (2) M10X1.5-75 Carriage Bolts into each 2-Hole Support Brackets ,and insert the 2-Hole support bracket into the Driver Side Bar.**(Fig 16)**. Carefully position the Bar onto the (3) Mounting Brackets. **IMPORTANT:** Do not slide the Bar on the Brackets or damage to the finish may result. Attach the Driver Side Bar to the Mounting Brackets with (2) M10 Hex Nuts,(2)M10 lock washers and (2)M10 flat washers, **(Fig 17)**. Do not tighten hardware.
12. Level and adjust the Bar properly and tighten all hardware. **NOTE: Torque all M10 X1.5-75 Carriage Bolts to 29~33 lb-ft.**
13. Repeat Step 2-5 for the other side installation.
14. Installation completed!!! **(See Fig 18)**
15. Do periodic inspections to the installation to make sure that all hardware is secure and tight.

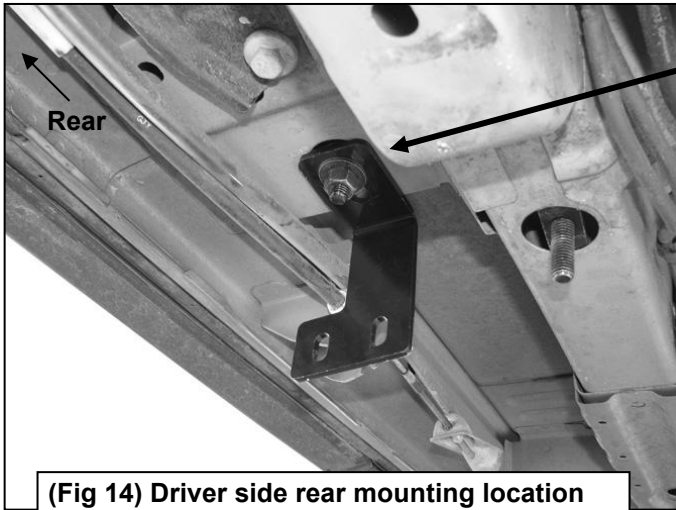
Products have a high quality finish that must be cared for like any other exposed finish on the vehicle. Protect the finish with a non-abrasive automotive wax, (e.g.Pure Carnauba ) on a regular basis. The use of any soap, polish or wax that contains an abrasive is detrimental, as the compounds scratch the finish and open it to corrosion.

### Driver Side Installation Pictured

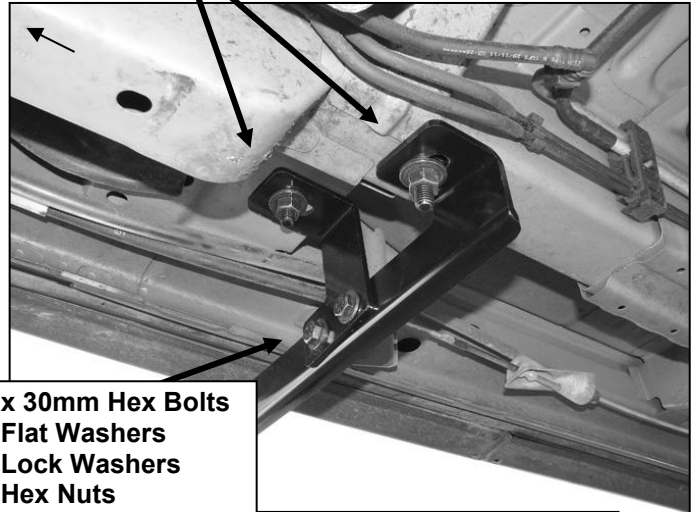








(Fig 14) Driver side rear mounting location



(Fig 15) Driver side rear Bracket pictured

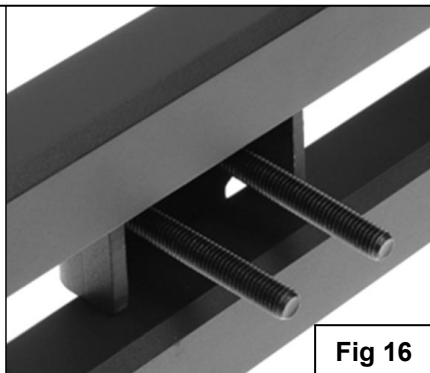


Fig 16

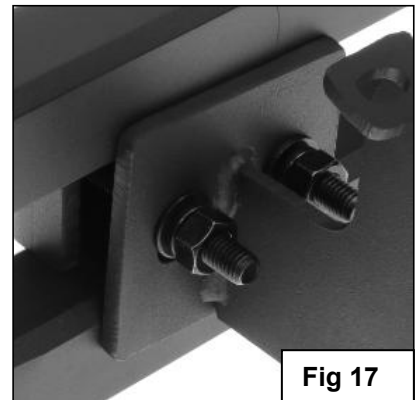


Fig 17



Complete Installation

Fig 18