

iArmor[®]

iArmor[®] by APS

PART#: IA-S131

BEFORE INSTALLATION

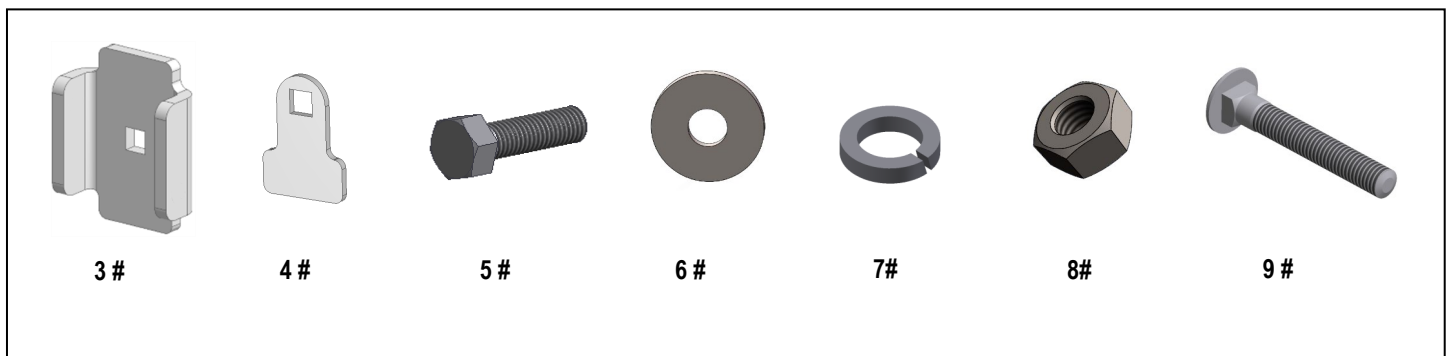
REMOVE CONTENTS FROM BOX. VERIFY ALL PARTS ARE PRESENT. READ INSTRUCTIONS CAREFULLY BEFORE STARTING INSTALLATION. ASSISTANCE IS RECOMMENDED. THANK YOU FOR CHOOSING OUR PRODUCT!

*ROCKER PANEL MOUNT

*NO DRILLING /TRIMMING REQUIRED

| Fastener Size | Tightening Torque (ft-lbs) | Required |
|---------------|----------------------------|----------|
| 6mm | 6-7 | X |
| 8mm | 16-18 | √ |
| 10mm | 31-32 | X |
| 12mm | 56-58 | X |
| 14mm | 92-94 | X |

| Item | QTY | Description | Item | QTY | Description |
|------|-----|--|------|-----|-----------------------------|
| 1# | 3 | Driver Front / Center & Passenger Rear Mounting Brackets | 6# | 18 | M8 Large Flat Washers |
| 2# | 3 | Passenger Front / Center & Driver Rear Mounting Brackets | 7# | 18 | M8 Lock Washers |
| 3# | 6 | U Brackets | 8# | 14 | M8X1.25 Hex Nuts |
| 4# | 12 | Spacers | 9# | 6 | M8X1.25-55mm Carriage Bolts |
| 5# | 12 | M8X1.25-20mm Hex Bolts | | | |

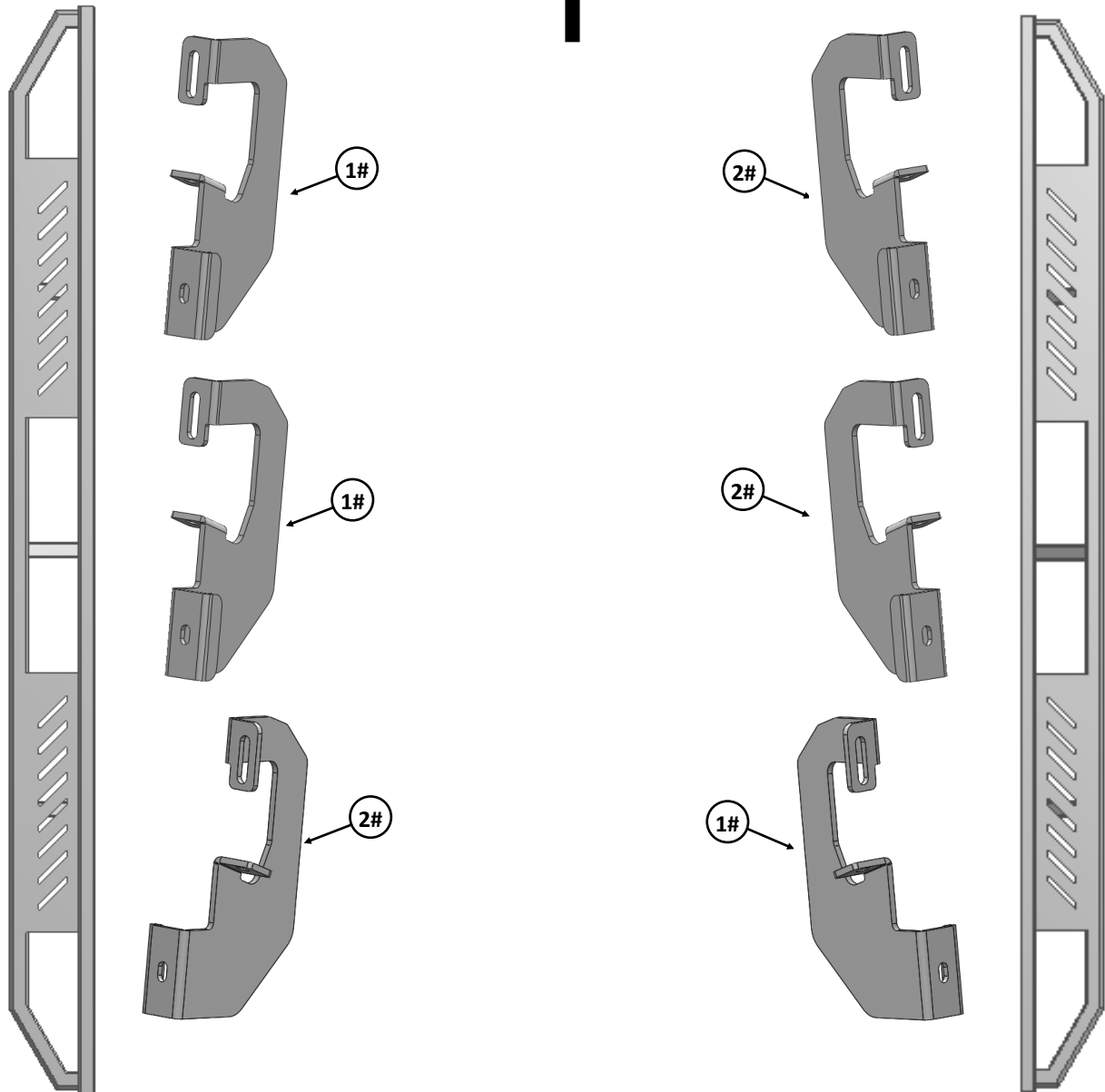


iArmor®

Driver

Front

Passenger

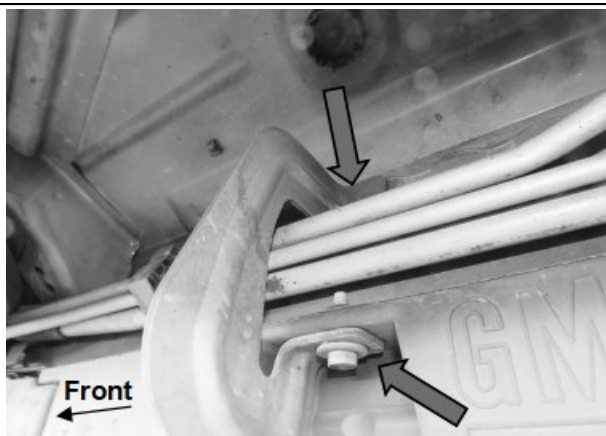


iArmor®

The instruction here is for your reference only. We strongly recommend the professional installer for best result. We are not responsible for any damage caused by the installation.

STEP 1

Start the installation from the Passenger side of the vehicle. Remove previously installed side products from the vehicle if equipped, (Fig 1).



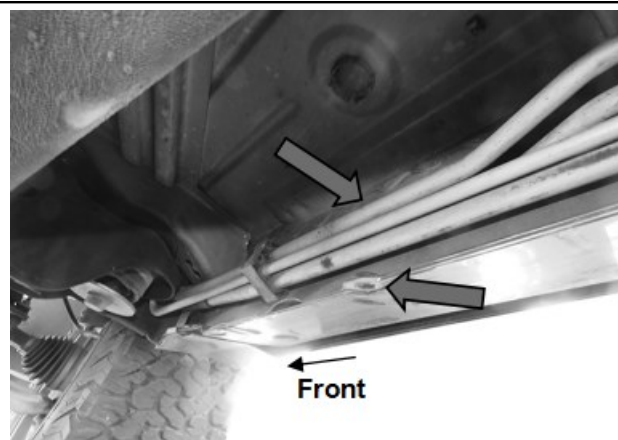
(Fig 1) Remove the factory side products before installation if equipped

STEP 2

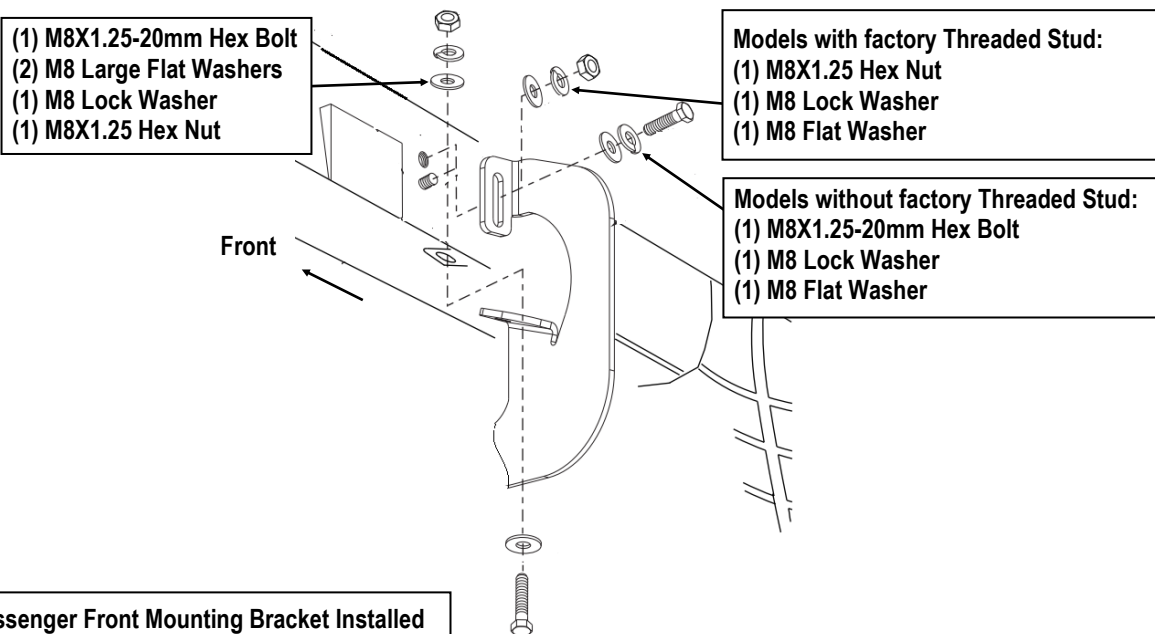
Move to Passenger Side Front Mounting Location. Identify the mounting holes by lining up the Bracket to the mounting location, (Fig2). Install the Mounting Bracket as shown in (Figs 3 & 4). Don't fully tighten hardware at this time.

* Passenger Front/ Center and Driver Rear Mounting Brackets are universal;

* Driver Front/ Center and Passenger Rear Mounting Brackets are universal.

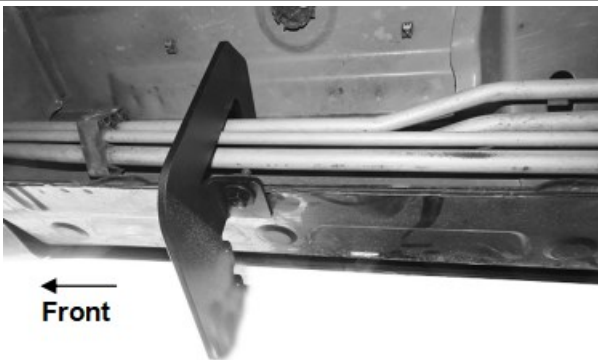


(Fig 2) Passenger Side Front Mounting Location



(Fig 3) Passenger Front Mounting Bracket Installed

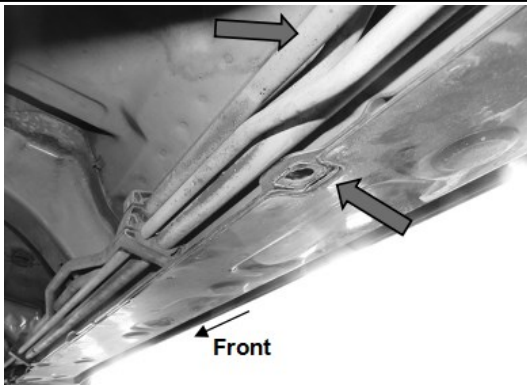
iArmor®



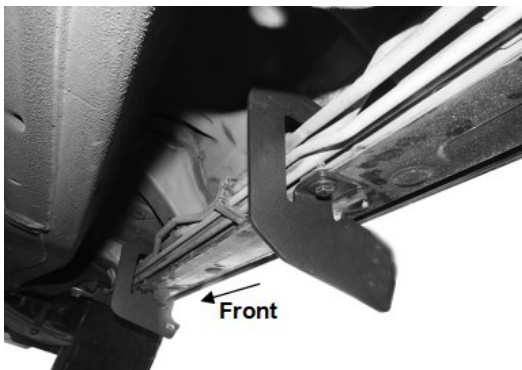
(Fig 4) Passenger Front Mounting Bracket Installed

STEP 3

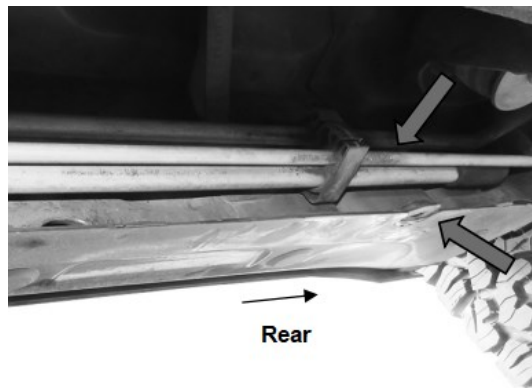
Repeat **Steps 1-2** to install the remaining Passenger Center and Rear Mounting Brackets. Don't fully tighten hardware at this time, (Fig 5-Fig 8).



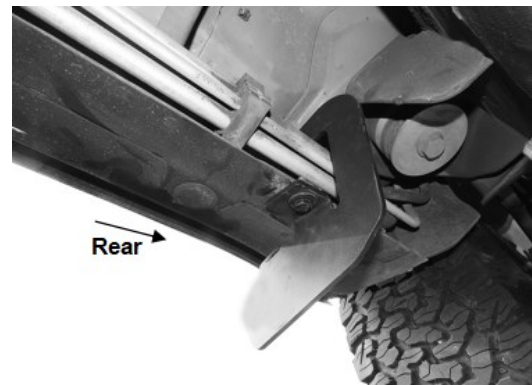
(Fig 5) Passenger Side Center Mounting Location



(Fig 6) Passenger Center Mounting Bracket Installed



(Fig 7) Passenger Side Rear Mounting Location



(Fig 8) Passenger Rear Mounting Bracket Installed

STEP 4

Once all (3) passenger side mounting brackets are installed, select and attach the Passenger Side Step Bar onto the Mounting Brackets with (3) U Brackets, (6) Spacers, (3) M8X1.25-55mm Carriage Bolts, (3) M8 Large Flat Washers, (3) M8 Lock Washers and (3) M8X1.25 Hex Nuts, (Fig 9). Do not fully tighten hardware at this time.

STEP 5

Properly level and adjust the Step Bar and fully tighten all hardware.

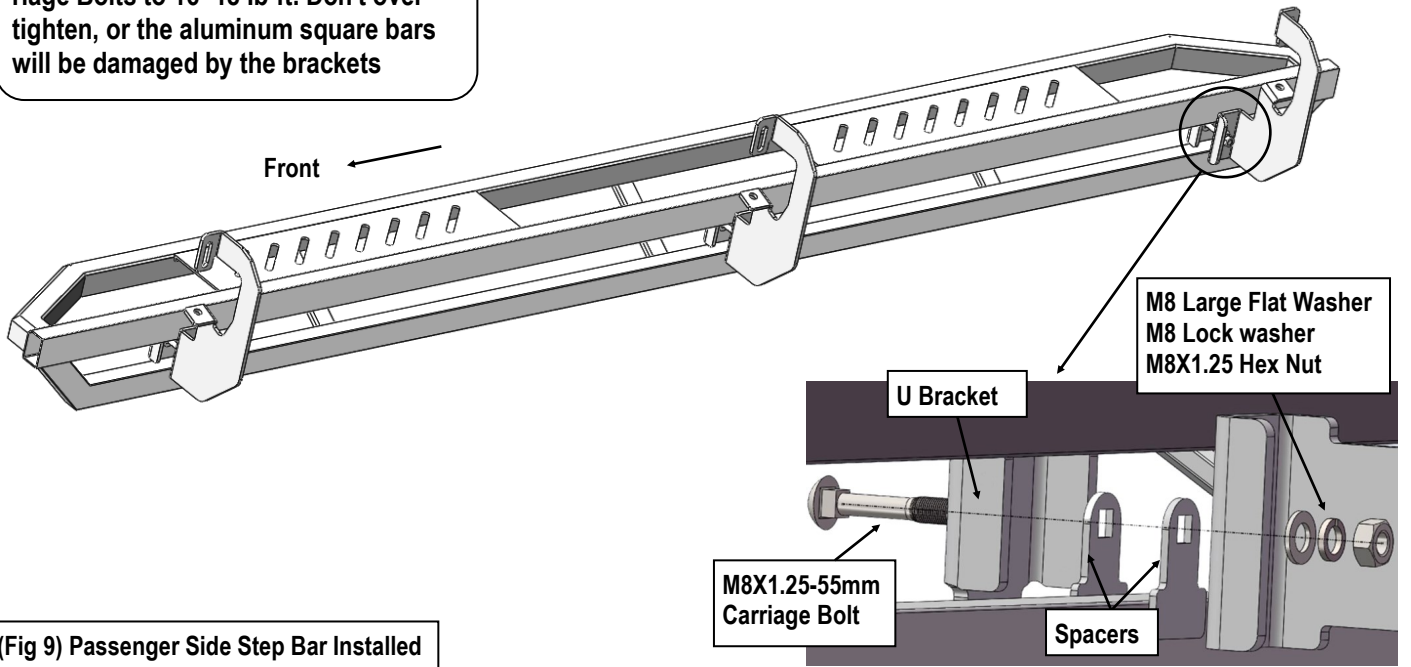
STEP 6

Move to the driver side of the vehicle. Repeat **Steps 1-5** to install the driver side step bar.

Installation completed.

iArmor®

NOTE: Torque all M8 X1.25-55mm Carriage Bolts to 16~18 lb-ft. Don't over tighten, or the aluminum square bars will be damaged by the brackets



(Fig 9) Passenger Side Step Bar Installed

Attention

Do periodic inspections to the installation to make sure that all hardware is secure and tight. In order to protect your bars/boards, please use only mild soap/non-abrasive products for cleaning.