

iArmor[®]

IARMOR EDGE™

PART#: IA-N007H

BEFORE INSTALLATION

REMOVE CONTENTS FROM BOX. VERIFY ALL PARTS ARE PRESENT. READ INSTRUCTIONS CAREFULLY BEFORE STARTING INSTALLATION. ASSISTANCE IS RECOMMENDED. THANK YOU FOR CHOOSING OUR PRODUCT!

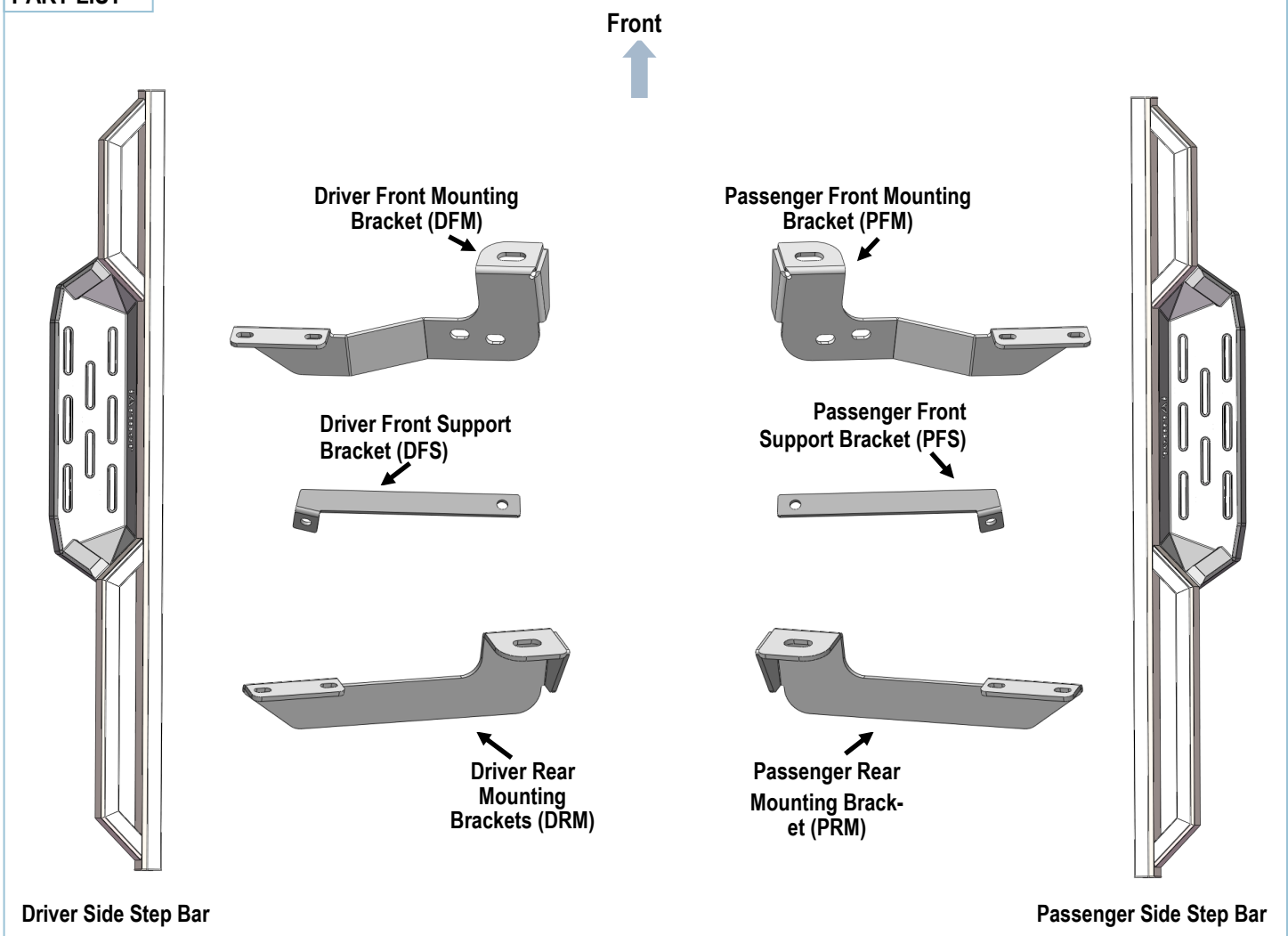
***BODY FRAME MOUNT**

***NO DRILLING/TRIMMING REQUIRED**

Torque Value

Fastener Size	Tightening Torque (ft-lbs)	Required
6mm	6-7	X
8mm	16-18	√
10mm	31-32	√
12mm	56-58	X
14mm	92-94	X


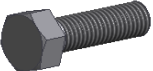







PART LIST



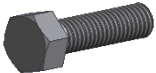


Customer Support: info@iarmorauto.com

iArmor[®]

Hardware Package A (For Brackets & Bars Installation)					
Item	QTY	Description	Item	QTY	Description
1#	2	M10 Nut Plates	6#	8	M8X1.25-20 T Bolts
2#	4	M10X1.5-30mm Hex Bolts	7#	8	M8 Plastic Washers
3#	6	M10 Flat Washers	8#	8	M8 Large Flat Washers
4#	4	M10 Lock Washers	9#	8	M8 Nylon Lock Nuts
5#	2	M10X1.5 Hex Nuts			

								
1#	2#	3#	4#	5#	6#	7#	8#	9#

Hardware Package B (For Step Pedals Installation)					
Item	QTY	Description	Item	QTY	Description
1#	12	M8X1.25-25 Hex Bolts	3#	12	M8 Lock Washers
2#	12	M8 Large Flat Washers			

		
1#	2#	3#

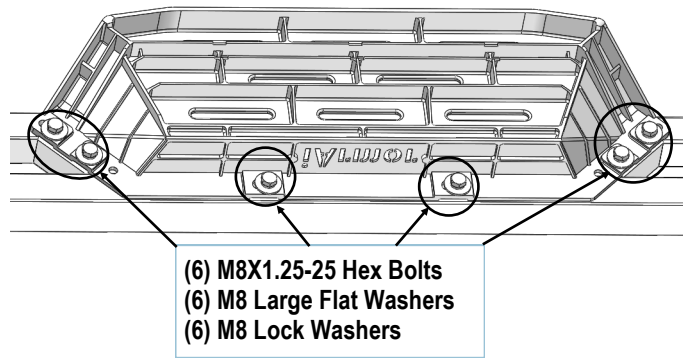
iArmor®

The instruction here is for your reference only. We strongly recommend the professional installer for best result. We are not responsible for any damage caused by the installation.

STEP 1

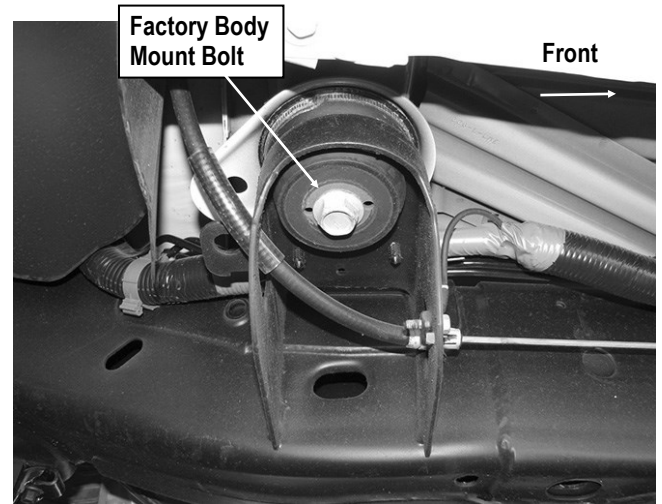
Install (4) Pedals onto the step bars with (24) M8X1.25-25mm Hex Bolts, (24) M8 Large Flat Washers and (24) M8 Lock Washers.

IMPORTANT: Don't hit the pedal with any metal hammer within pedal installation, or the pedal will be damaged.



STEP 2

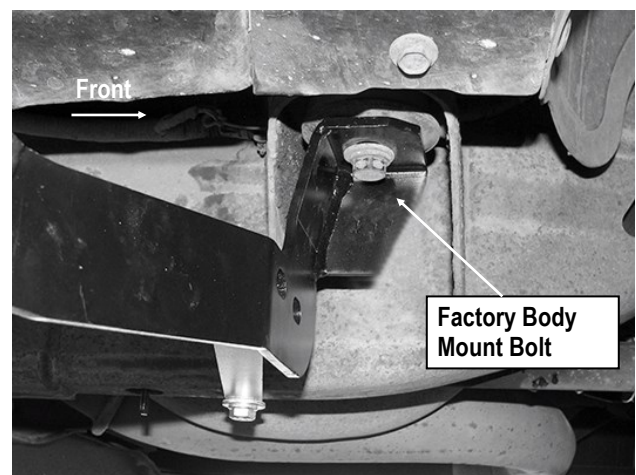
Starting from the passenger side of the vehicle. Remove the front body mount bolt, (Fig 1). Do not remove rubber bushings.



(Fig 1) Passenger Side Front Mounting Location

STEP 3

Attach the Passenger Front Mounting Bracket (PFM) to the body mount reusing the factory hex bolt, (Fig 2). Do not fully tighten hardware at this time.

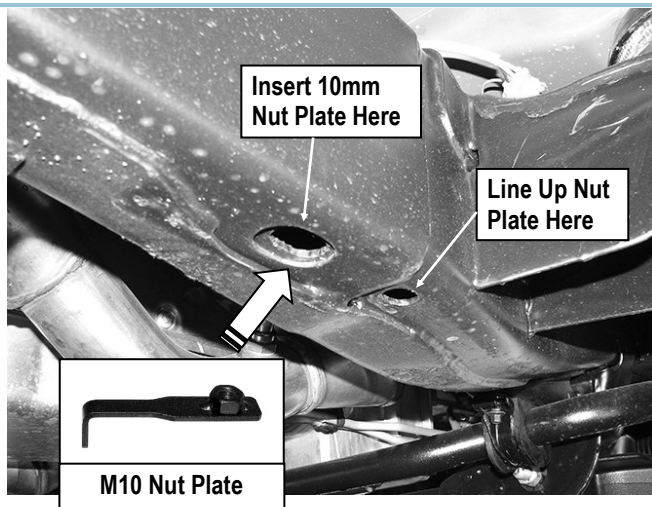


(Fig 2) Passenger Front Mounting Bracket Installed

iArmor®

STEP 4

Locate the (2) factory holes at the bottom of the frame beside the passenger side front body mount, (Fig 3). Insert (1) M10 Nut Plate into the oval hole and line up the threaded nut with the round hole, (Fig 3).



(Fig 3) Passenger Side Front Support Bracket Mounting Location

STEP 5

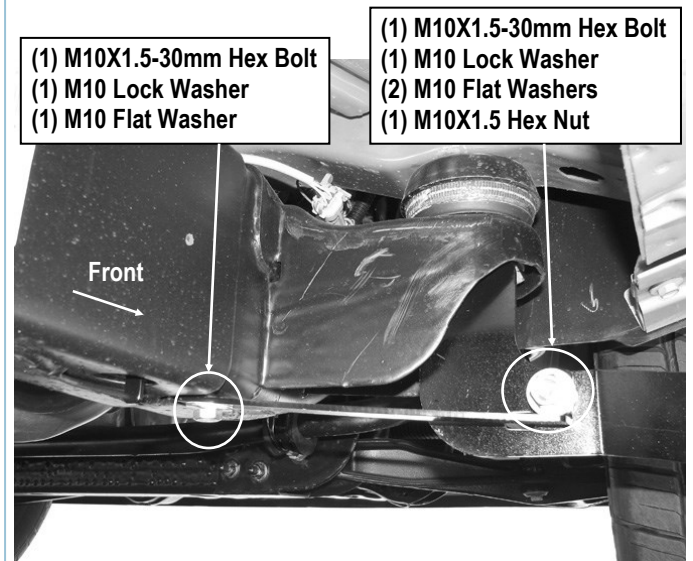
Attach the flat end of the Passenger Front Support Bracket (PFS) to the installed M10 Nut Plate with (1) M10X1.5-30mm Hex Bolt, (1) M10 Flat Washer and (1) M10 Lock Washer, (Fig 4 & 5). Do not fully tighten hardware at this time.

Up to 2007 2500/3500 Models:

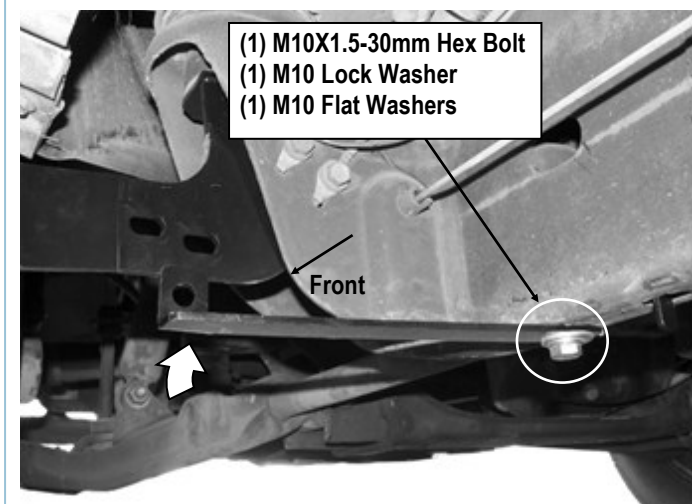
Note that the Front Support Bracket will not reach up to the Mounting Bracket, (Fig 5). Tighten the Support Bracket to the M10 Nut Plate in the frame. Carefully push up on the Support Bracket until it reaches the inside hole in the Mounting Bracket. Bolt the Support Bracket to the hole in the Mounting Bracket

with (1) M10X1.5-30mm Hex Bolt, (2) M10 Flat Washers, (1) M10 Lock Washer and (1) M10X1.5 Hex Nut, (Figs 5 & 6). Do not fully tighten hardware at this time.

NOTE: Bend Support Bracket up by hand to meet the inner hole in the Front Mounting Bracket..



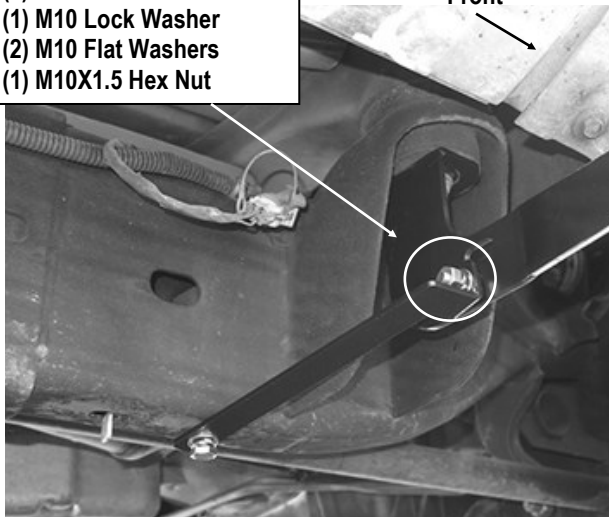
(Fig 4) Passenger Front Support Bracket Installation
(For 1500 Model)



(Fig 5) Passenger Front Support Bracket Installation
(For Up to 2007 2500/3500 Models)

iArmor®

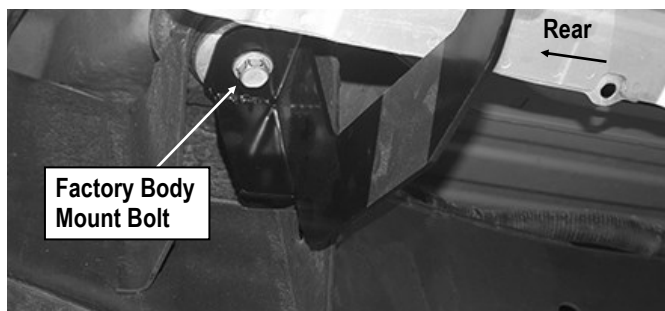
- (1) M10X1.5-30mm Hex Bolt
- (1) M10 Lock Washer
- (2) M10 Flat Washers
- (1) M10X1.5 Hex Nut



(Fig 6) Passenger Front Support Bracket Installation
(For Up to 2007 2500/3500 Models)

STEP 6

Move to the Passenger Side Rear body mount. Repeat **Steps 2-5** to attach the Passenger Rear Mounting Bracket to the body mount, (Fig 7). Do not fully tighten hardware at this time.

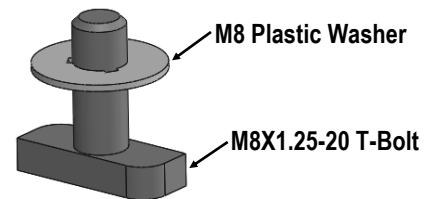


(Fig 7) Passenger Rear Mounting Bracket Installation

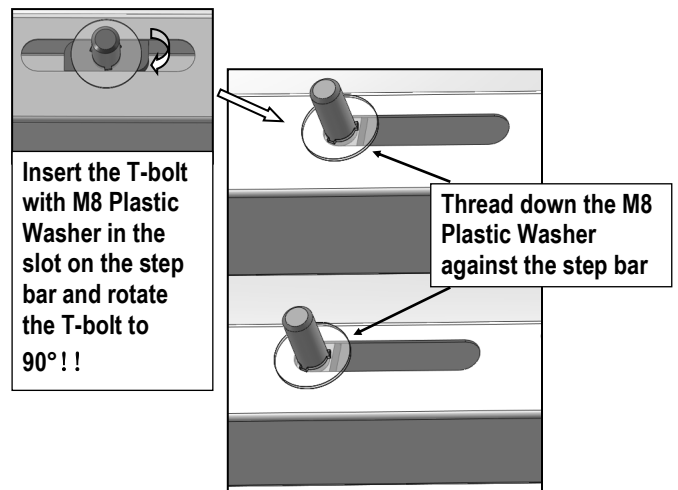
STEP 7

Once (2) brackets have been installed, select (4) M8X1.25-20mm T-Bolts, thread (1) M8 Plastic Washer on each T-Bolt, (Fig 8). Install the (4) M8X1.25-20mm T-Bolts with plastic washers in the slots on the assembled Passenger side step bar. Rotate the T-Bolts to 90 degree, thread down the M8 Plastic Washers against the step bar (Fig 9).

NOTE: The Plastic Washer is designed to keep the T-Bolt in place to avoid falling into the tube during installation.



(Fig 8) Thread (1) M8 Plastic Washer on each T-Bolt Before Inserting into the slot !!!



(Fig 9) T-Bolt with plastic washer in the slot

iArmor®

STEP 8

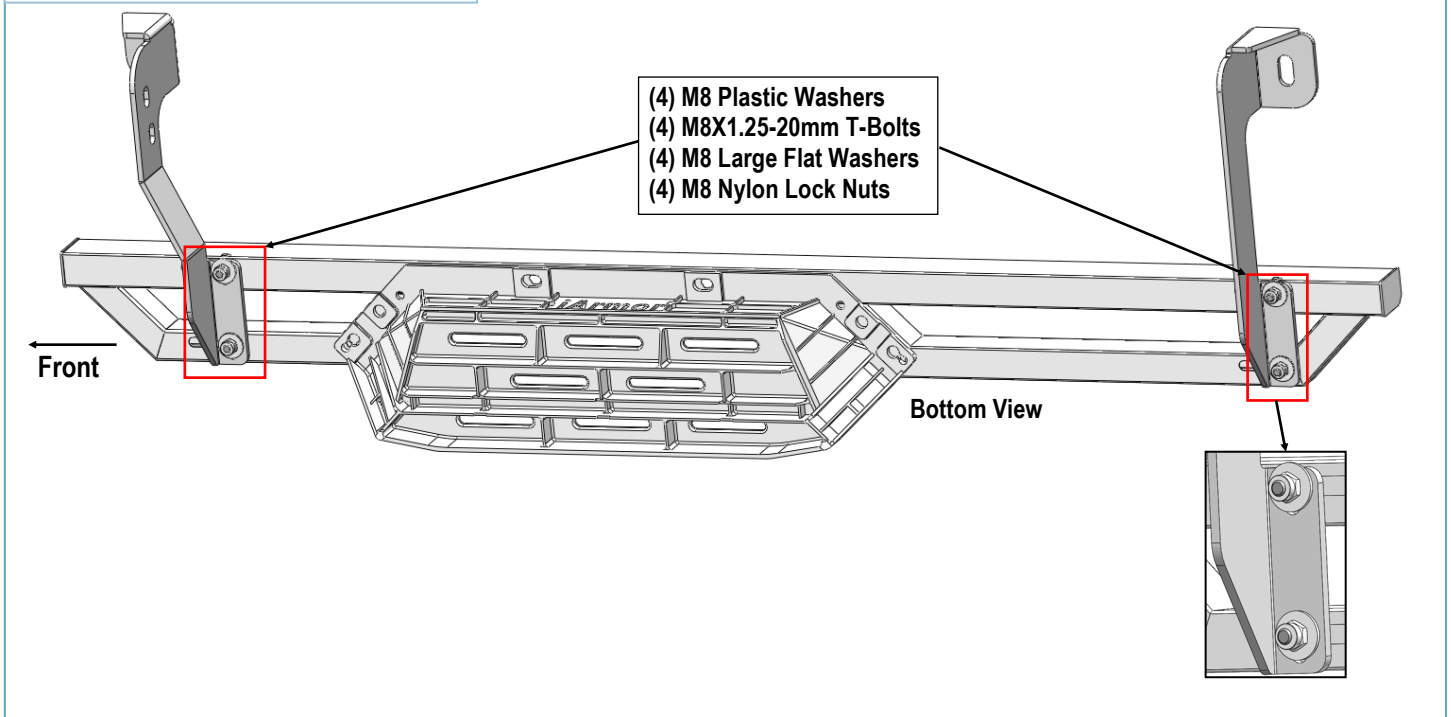
Attach the Assembled Passenger Side Step Bar onto the Mounting Brackets with (4) M8 Plastic Washers, (4) M8X1.25-20mm T-Bolts, (4) M8 Large Flat Washers, (4) M8 Nylon Lock Nuts, (Fig 10). Do not fully tighten hardware at this time.

STEP 9

Level and adjust the assembled Step Bar properly and tighten all hardware.

Move to the other side of the vehicle. Repeat **Steps 2-8** for the other side step bar installation.

(Fig 10) Passenger Side Step Installation



Attention

Do periodic inspections to the installation to make sure that all hardware is secure and tight.
In order to protect your bars/boards, please use mild soap/non-abrasive products for cleaning only.