

iArmor®

IARMOR EDGE™

PART#: IA-N171

BEFORE INSTALLATION

REMOVE CONTENTS FROM BOX. VERIFY ALL PARTS ARE PRESENT. READ INSTRUCTIONS CAREFULLY BEFORE STARTING INSTALLATION. ASSISTANCE IS RECOMMENDED. THANK YOU FOR CHOOSING OUR PRODUCT!

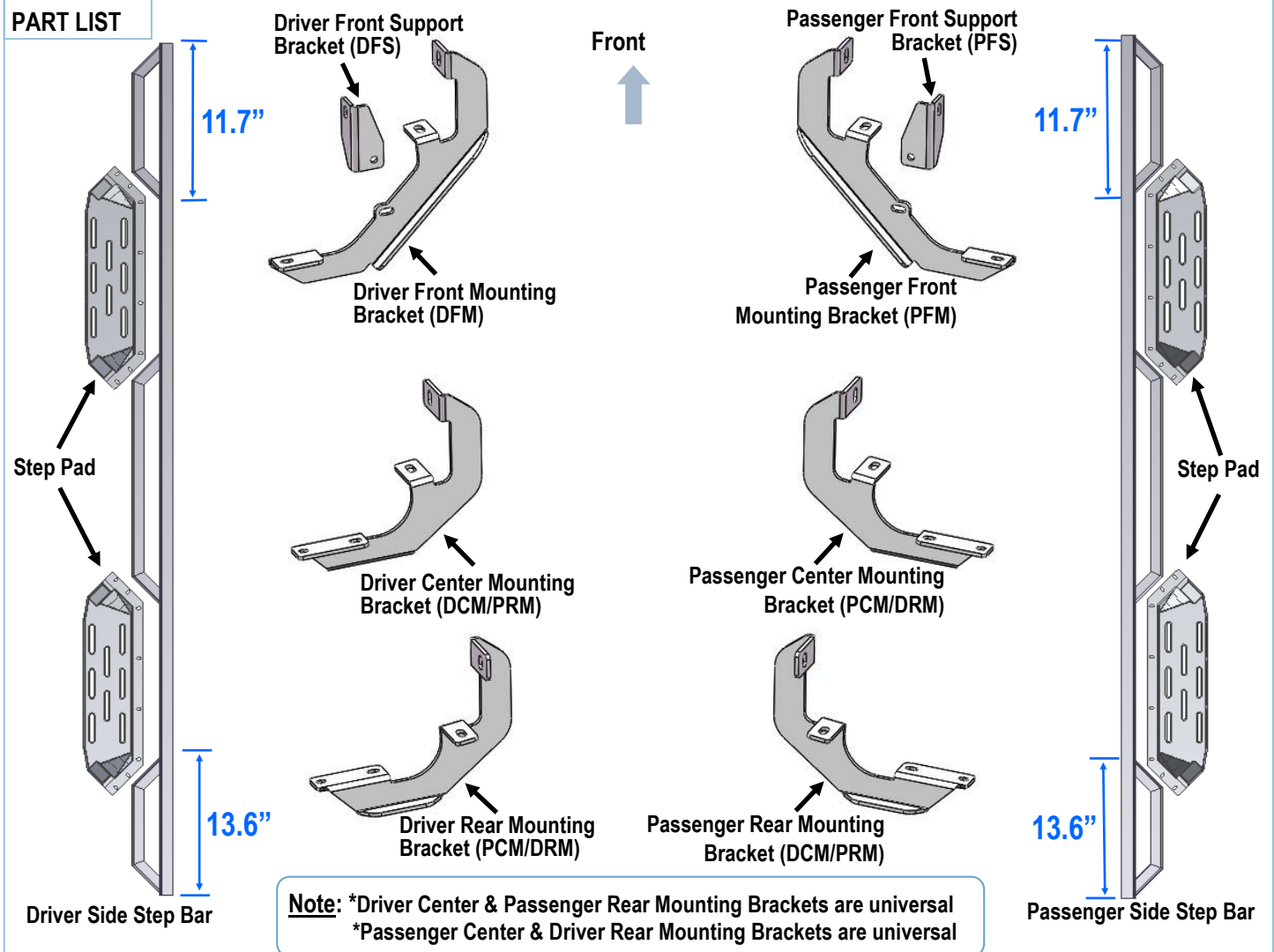
*DRILLING NOT REQUIRED

*TRIMMING NOT REQUIRED

Torque Value

Fastener Size	Tightening Torque (ft-lbs)	Required
6mm	6-7	√
8mm	16-18	√
10mm	31-32	X
12mm	56-58	X
14mm	92-94	X

PART LIST



Customer Support: info@iarmorauto.com

iArmor®



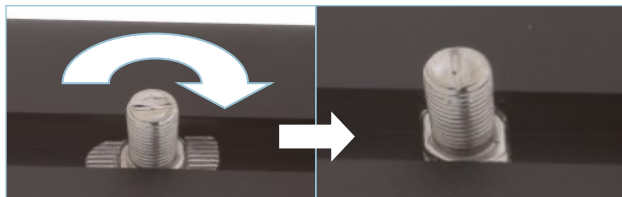
The instruction here is for your reference only. We strongly recommend the professional installer for best result. We are not responsible for any damage caused by the installation.

STEP 1

Install the Step Pads onto the step bars with (32) M6X1-20mm T-Bolts, (32) M6 Large Flat Washers and (32) M6X1Nylon Lock Nuts.

IMPORTANT: Don't hit the step pad by any metal hammer within step pad installation, or the step pad will be damaged.

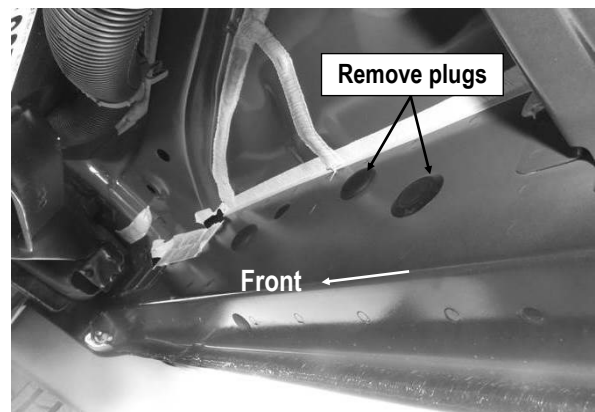
- (8) M6X1-20 T-Bolts
- (8) M6 Flat Washers
- (8) M6 Nylon Lock Nuts



Note: Rotate 90° after inserting the T-Bolts into the Channel!!!

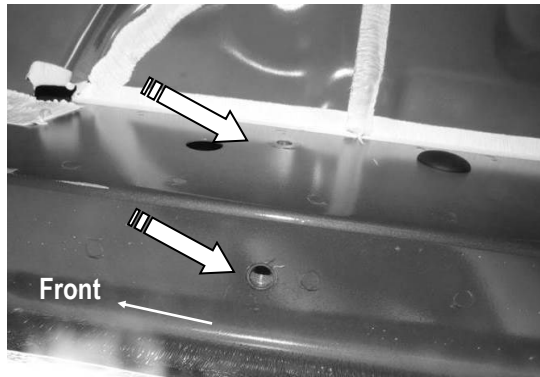
STEP 2

Start the installation under the passenger side of the vehicle. Locate the 6 plugs along the bottom edge of the body. Mounting Brackets will bolt to the 1st, 3rd and 6th threaded mounting holes, (Figs 1-4). Remove the plastic plugs from each mounting location. Directly above each threaded insert is a top mounting location on the side of the body panel. Hold a Bracket up in place to help determine the mounting holes to use along the body. **NOTE:** Thread an 8mm Hex Bolt into the threaded inserts to clear paint as required.

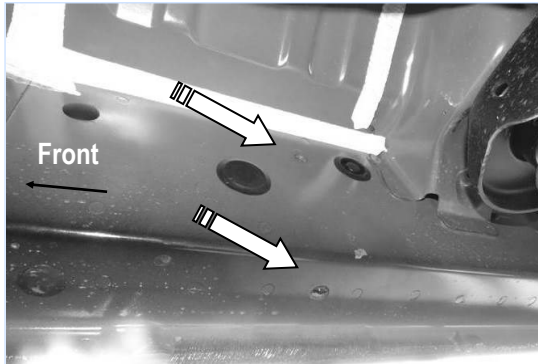


(Fig 1) Remove Plastic Plugs to Uncover Threaded Inserts

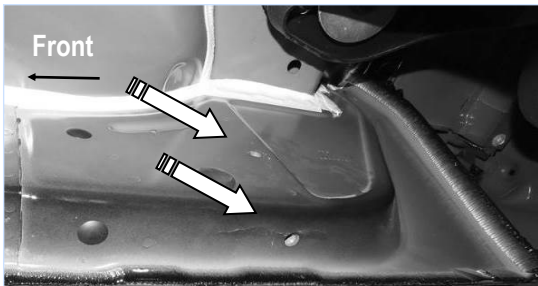
iArmor[®]



(Fig 2) Passenger Front Mounting Location



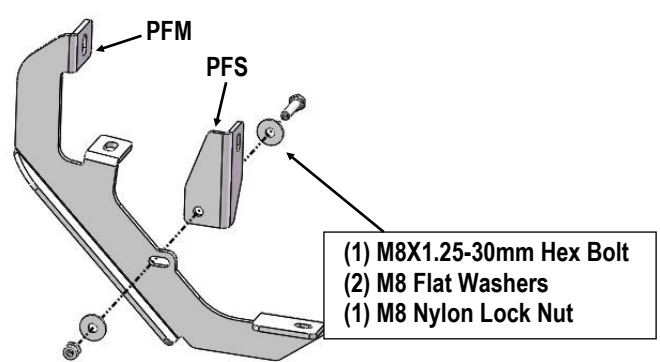
(Fig 3) Passenger 2nd Mounting Location



(Fig 4) Passenger Rear Mounting Location

STEP 3

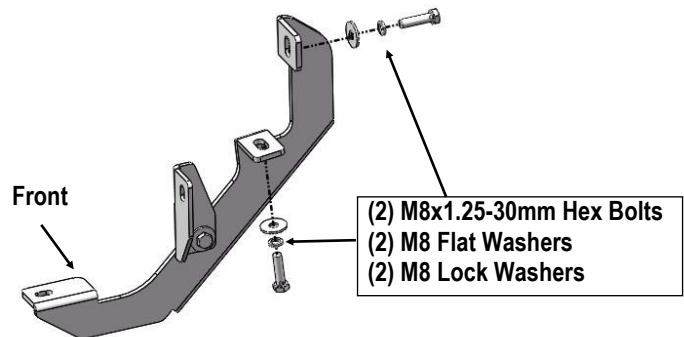
Assemble Passenger Front Mounting Bracket (PFM) and Passenger Front Support Bracket (PFS) with (1) M8X1.25-30mm Hex Bolt, (2) M8 Flat Washers and (1) M8 Nylon Lock Nut, (Fig 5). Do not fully tighten at this time.



(Fig 5) Passenger Front Mounting Bracket Assembly

STEP 4

Attach the Assembled Passenger Front Mounting Bracket to the factory threaded holes with (2) M8 X1.25-30mm Hex Bolts, (2) M8 Lock Washers and (2) M8 Flat Washers, (Fig 6). Do not fully tighten hardware at this time.



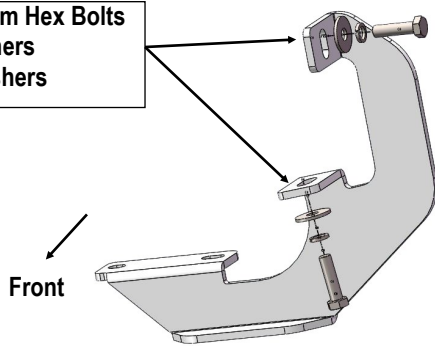
(Fig 6) Passenger Front Mounting Bracket Installed

STEP 5

Repeat **Steps 3 & 4** to install Passenger Center Mounting Bracket (PCM/DRM) and Passenger Rear Mounting Bracket (DCM/PRM) on the remaining mounting locations along the body panel, (Figs 7-8).

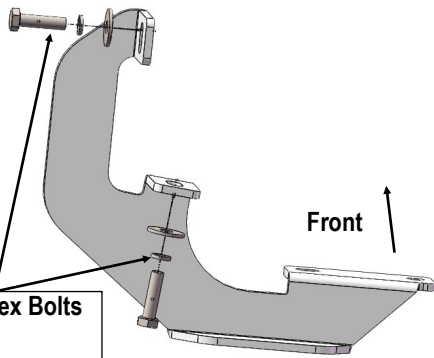
iArmor®

- (2) M8x1.25-30mm Hex Bolts
- (2) M8 Flat Washers
- (2) M8 Lock Washers



(Fig 7) Passenger Center Mounting Bracket Installed

- (2) M8x1.25-30mm Hex Bolts
- (2) M8 Flat Washers
- (2) M8 Lock Washers



(Fig 8) Passenger Rear Mounting Bracket Installed

STEP 6

Once (3) passenger side brackets are installed, attach the Assembled Passenger Side Step Bar onto the Mounting Brackets with (4) M6X1-20mm T-Bolts, (2) M6X1-20mm Square Head Bolts, (6) M6 Large Flat Washers and (6) M6 Nylon Lock Nuts, (Fig 9). Do not fully tighten hardware at this time.

STEP 7

Level and adjust the assembled Step Bar properly and tighten all hardware. Move to the Driver side of the vehicle. Repeat **Steps 2-6** for the Driver Side Step Bar installation.

(Fig 9) Passenger Side Step Installation

