

Part#	HT-R30081	Application	For 2011-2017 Jeep Compass (11th Digit of VIN is 'D')\n2011-2017 Jeep Patriot					
Hardware List	Item	Part Name	QTY	Description	Item	Part Name	QTY	Description
	1#	Hex Bolts	4	M12X.75-110	3#	Hex Flange Nuts	4	M12X1.75
	2#	Flat Washers	4	M12				

Gross Load Capacity When Used As A Weight Carrying Hitch:4000 LBS. Trailer Weight & 400 LBS. Tongue Weight.
*****DO NOT EXCEED VEHICLE MANUFACTURER’S RECOMMENDED TOWING CAPACITY.*****

Trimming Required

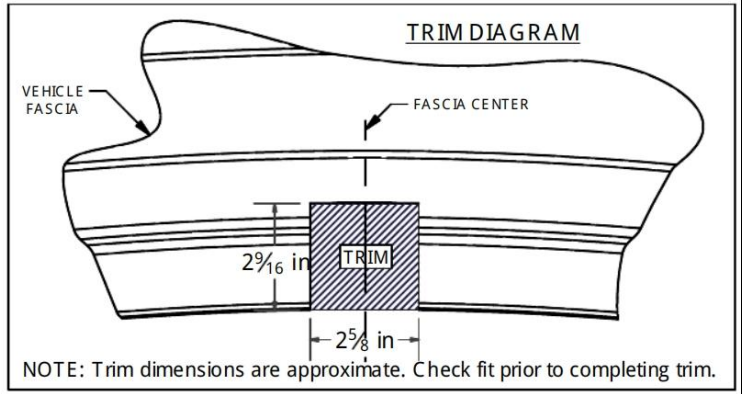
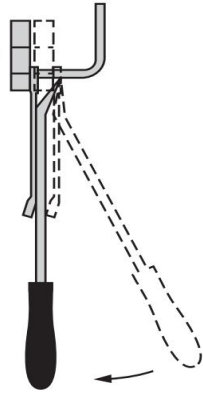
RUBBER ISOLATOR REMOVAL DIAGRAM

This technique can be used if exhaust hanger removal pliers are not available.

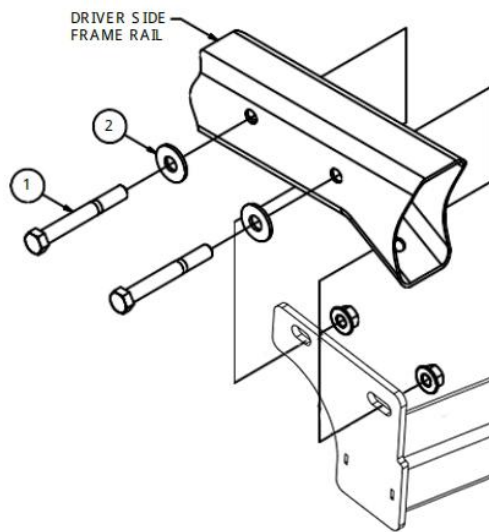
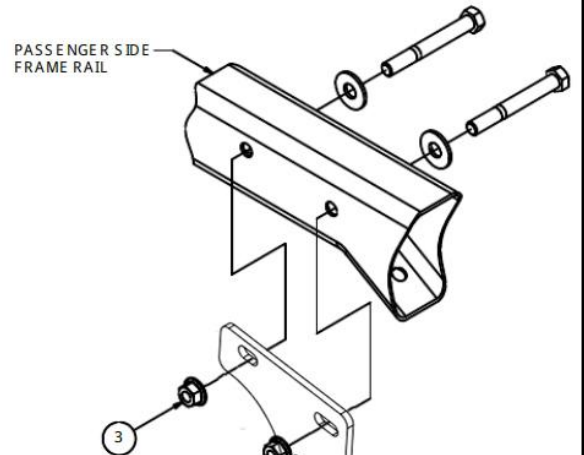
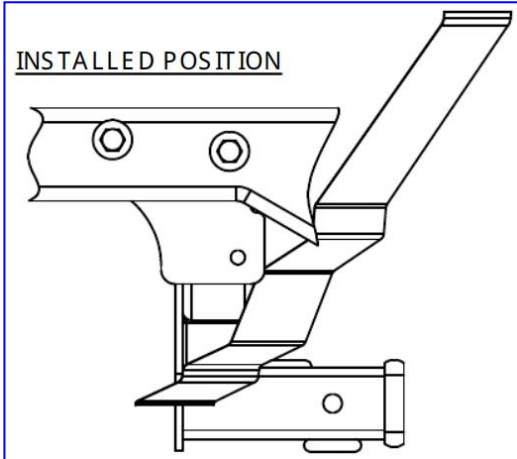
Using a 5/8" open end wrench, slide the wrench up to the rubber isolator, cradling the hanger rod as shown.

Place the flat edge of a pry bar between the wrench and the hanger stop or hanger rod. Then simply rotate the pry bar toward the wrench to remove the rubber isolator.

Note: Using a lubricant or soapy water on the hanger rod and the rubber isolator helps removal.




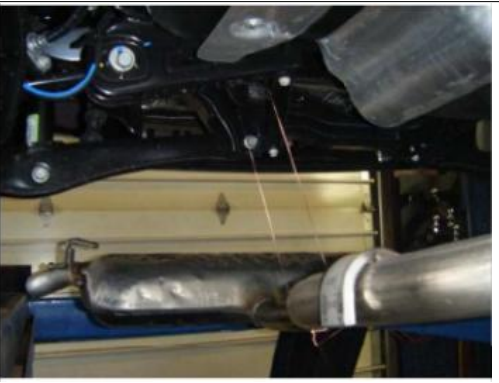






INSTALLED POSITION






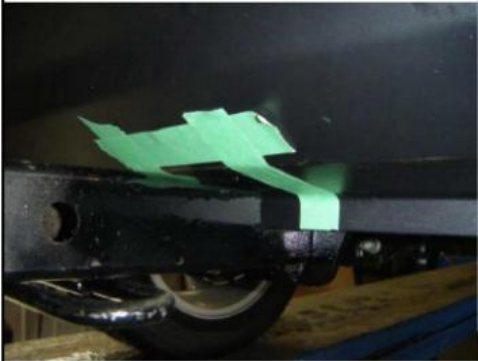




REAR

The instruction here is for your reference only. We strongly recommend the professional installer for best result. We are not responsible for any damage caused by the installation. Thank you for choosing our product!

Part#	HT-R30081	Application	For 2011-2017 Jeep Compass (11th Digit of VIN is 'D')\n2011-2017 Jeep Patriot	
Step	Description			
1	Temporarily remove (4) plastic fasteners and (4) hex screws from fascia.			
				
2	Lower exhaust by removing (3) rubber isolators. See RUBBER ISOLATOR REMOVAL DIAGRAM on page 1. (Note: Support exhaust to avoid its possible damage.)			
				
3	Temporarily remove heat shield by removing (4) nuts. (Note: If tow loop is present remove)			
				
4	Insert hex bolts with washers into the frame rails from the outside. Raise the hitch into position between the frame rails. Push front bolts through mounting plates and loosely install flange nuts.			
				

The instruction here is for your reference only. We strongly recommend the professional installer for best result. We are not responsible for any damage caused by the installation. Thank you for choosing our product!

Part#	HT-R30081	Application	For 2011-2017 Jeep Compass (11th Digit of VIN is 'D')\n2011-2017 Jeep Patriot
--------------	-----------	--------------------	---

5	Rotate hitch up so that it is touching fascia and mark where to trim.	
		
6	Trim fascia. See TRIM DIAGRAM on page 2. (Note: Check fit prior to completing trim)	
		
7	Push hitch in rearmost position and secure hitch to the frame with (4) flange nuts. Torque all M12 fasteners to 86 ft-lbs.	
8		
	Reinstall heat shield, fasteners, and exhaust removed in steps 1 & 2. Installation Complete.	
		

The instruction here is for your reference only. We strongly recommend the professional installer for best result. We are not responsible for any damage caused by the installation. Thank you for choosing our product!