

Part#	HT-R30911	Application	For 2005-2015 Nissan Xterra					
-------	-----------	-------------	-----------------------------	--	--	--	--	--

Hardware List	Item	Part Name	QTY	Description	Item	Part Name	QTY	Description
	1	Hex Bolts	4	M14X1.5-40	3	Hex Bolts	2	M12X1.25-35
2	Lock Washers	4	M14	4	Conical Washer	2	M12	

Gross Load Capacity When Used As A Weight Carrying Hitch: 4000 LBS. Trailer Weight & 400 LBS. Tongue Weight.
 Gross Load Capacity When Used As A Weight Distribution Hitch: 6000 LBS. Trailer Weight & 600 LBS. Tongue Weight
*****DO NOT EXCEED VEHICLE MANUFACTURER'S RECOMMENDED TOWING CAPACITY.*****

- * No Drilling Required
- * No Trimming Required

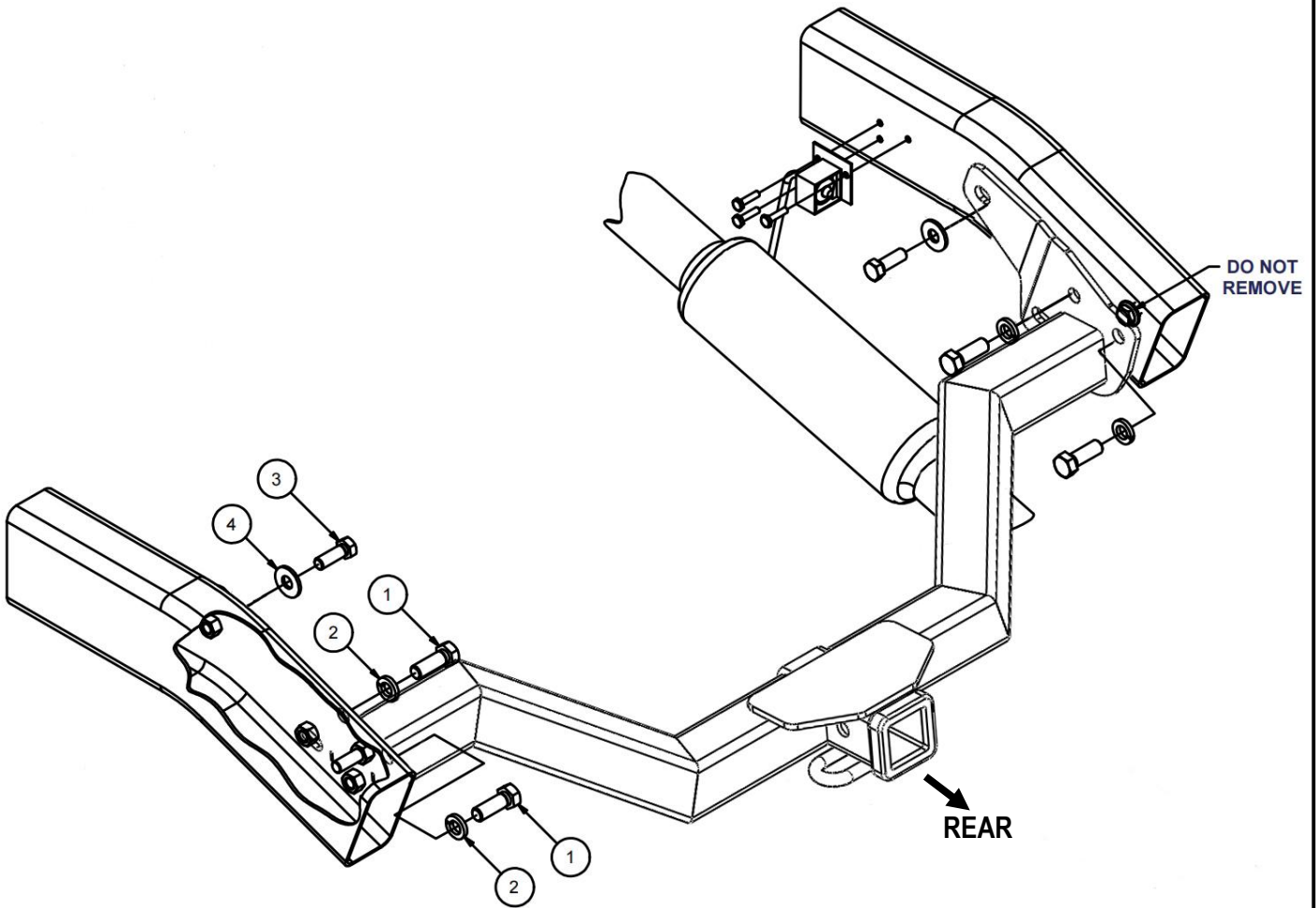
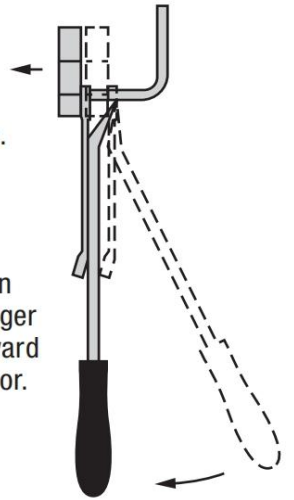
RUBBER ISOLATOR REMOVAL DIAGRAM

This technique can be used if exhaust hanger removal pliers are not available.

Using a 5/8" open end wrench, slide the wrench up to the rubber isolator, cradling the hanger rod as shown.

Place the flat edge of a pry bar between the wrench and the hanger stop or hanger rod. Then simply rotate the pry bar toward the wrench to remove the rubber isolator.

Note: Using a lubricant or soapy water on the hanger rod and the rubber isolator helps removal.



The instruction here is for your reference only. We strongly recommend the professional installer for best result. We are not responsible for any damage caused by the installation. Thank you for choosing our product!

Part#	HT-R30911	Application	For 2005-2015 Nissan Xterra
-------	-----------	-------------	-----------------------------

Step	Description
1	Lower spare tire for ease of installation. (Replace later)
2	Lower exhaust by removing (3) bolts from exhaust hanger bracket as shown. (Re-use later)
3	Remove the lower (2) bumper bracket bolts on both side of vehicle as shown. (Discard) (NOTE: DO NOT REMOVE TOP BOLT)
4	Raise hitch into position over exhaust and secure with M12 hex bolts and conical washers, finger tighten.
5	Install remaining M14 hex bolts and lock washers through hitch and bumper bracket as shown.
6	Reinstall exhaust hanger bracket removed in step 2.
7	Tighten all fasteners. Torque all M12 hardware to 86 ft-lbs, M14 hardware to 126 lb-ft.
8	Reinstall spare tire lowered in step 1.
***Periodically Check The Receiver Hitch To Ensure That All Fasteners *** Are Tight & All Structural Components Are Sound.	

The instruction here is for your reference only. We strongly recommend the professional installer for best result. We are not responsible for any damage caused by the installation. Thank you for choosing our product!