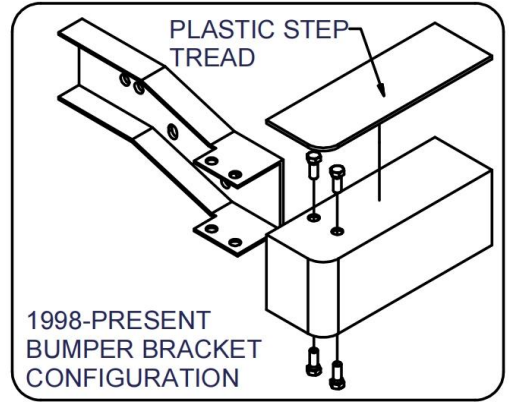
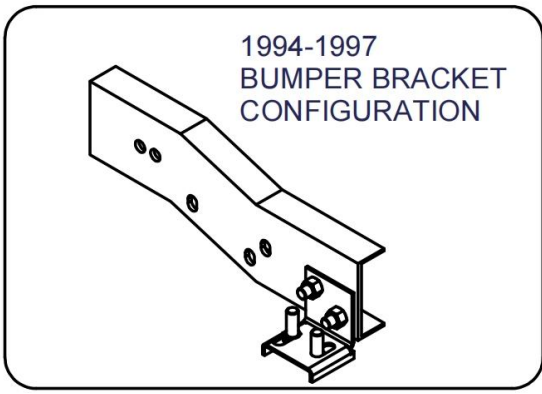
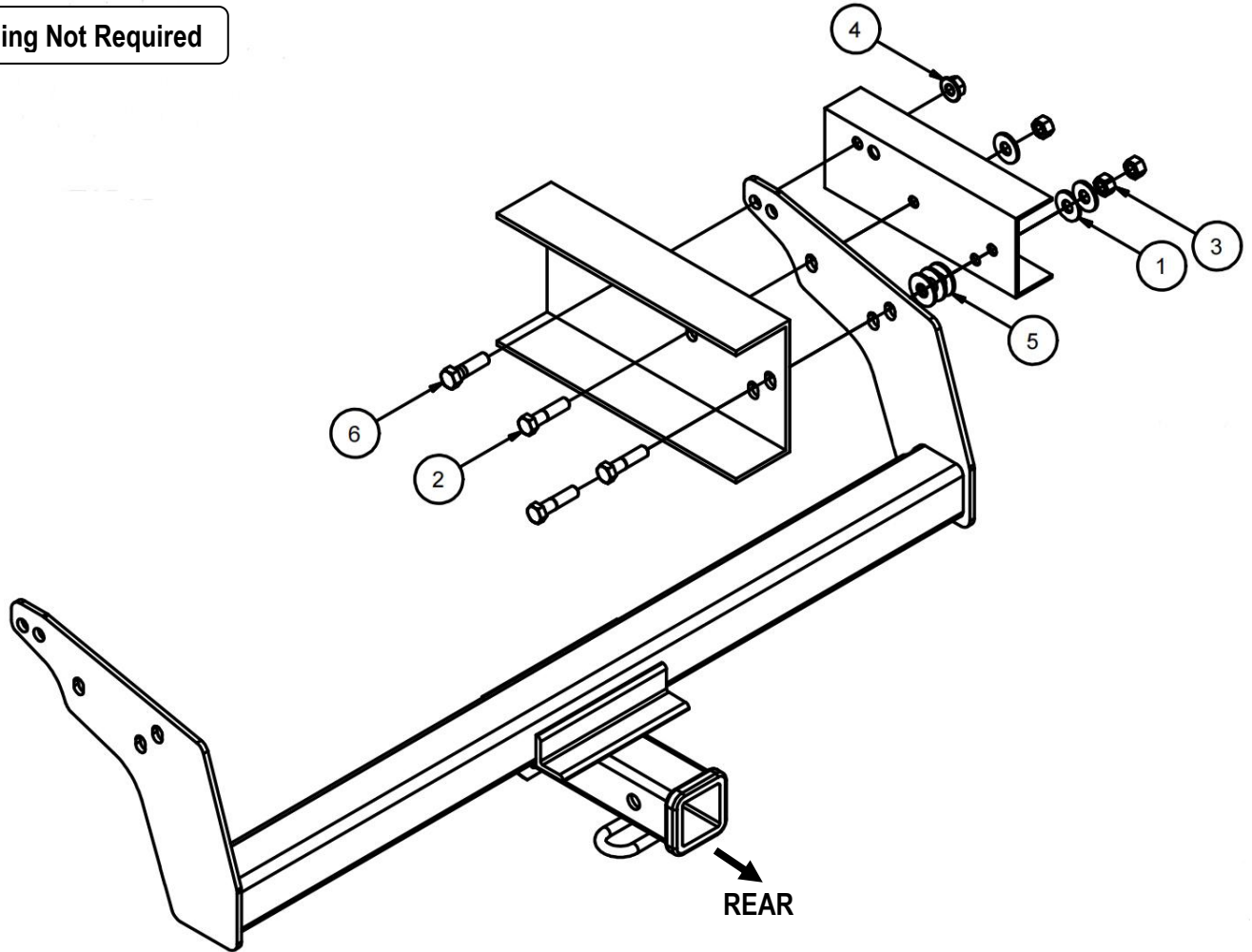


Part#	HT-R30908	Application	For 1996-2020 Isuzu Hombre\1983-2004 Chevrolet S10\1983-1990 GMC S15\1991-2004 GMC Sonoma
--------------	-----------	--------------------	---

Hardware List	Item	Part Name	QTY	Description	Item	Part Name	QTY	Description
	1#	Conical Washers	6		4#	Hex Flange Nuts	2	M12X1.75
	2#	Hex bolts	6	M12X1.75-50	5#	Flat Washers	12	M12
	3#	Hex Nuts	6	M12X1.75	6#	Hex Bolts	2	M12X1.75-45

Gross Load Capacity When Used As A Weight Carrying Hitch:4000 LBS. Trailer Weight & 400 LBS. Tongue Weight.
 Gross Load Capacity When Used As A Weight Distribution Hitch:6000 LBS. Trailer Weight & 600 LBS. Tongue Weight.
*****DO NOT EXCEED VEHICLE MANUFACTURER’S RECOMMENDED TOWING CAPACITY.*****

Drilling Not Required



The instruction here is for your reference only. We strongly recommend the professional installer for best result. We are not responsible for any damage caused by the installation. Thank you for choosing our product!

Part#	HT-R30908	Application	For 1996-2020 Isuzu Hombre\1983-2004 Chevrolet S10\1983-1990 GMC S15\1991-2004 GMC Sonoma
--------------	-----------	--------------------	---

Step	Description
1	<p><u>SPORTSIDE BED MODELS</u></p> <p>Note: Some spare tires may need to be lowered and re-positioned for hitch installation.</p> <p>1) Remove bumper bracket bolts. 2) Position the hitch on frame and install fasteners as shown above.</p>
2	<p><u>STEP BUMPER MODELS</u></p> <p>1) Remove bumper, leaving brackets attached to frame. Disconnect bumper wiring and remove bumper. Note: Pre-1994 models, bumper is attached to each bracket by two horizontal bolts. 1994-1997 models, bumper is attached to each bracket by two vertical bolts. 1998-present, remove plastic tread from top of bumper. The bumper is attached with four vertical bolts.</p>
3	Remove bumper brackets from frame. Remove bumper wiring guides from bumper brackets.
4	If installing hitch on an early model vehicle using a cradle storage system for the spare tire, mark the spare tire carrier 1/8" inboard of outer frame edge. Lower spare tire and cut off carrier along previously marked line.
5	Position receiver on frame and loosely install bumper brackets using (3) M12 bolts and fasteners per side. Receiver brackets are positioned between bumper brackets and frame.
6	Pre-1994 models, reinstall bumper on bumper brackets with original bolts, using (3) flat washers at each bolt location as spacers between brackets and bumpers. (see above)
7	Raise spare tire back into position and secure. Reconnect bumper wiring.
8	Torque M12 fasteners to 86 lb-ft.

The instruction here is for your reference only. We strongly recommend the professional installer for best result. We are not responsible for any damage caused by the installation. Thank you for choosing our product!