



# Hitch Installation Instruction

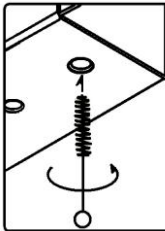
REV.20240401

Part#	HT-R30440	Application	For 2009-2014 Nissan Murano ALL					
-------	-----------	-------------	---------------------------------	--	--	--	--	--

Hardware List	Item	Part Name	QTY	Description	Item	Part Name	QTY	Description
	1	Hex Bolts	4	M12X1.25-35	2	Conical Washers	4	M12

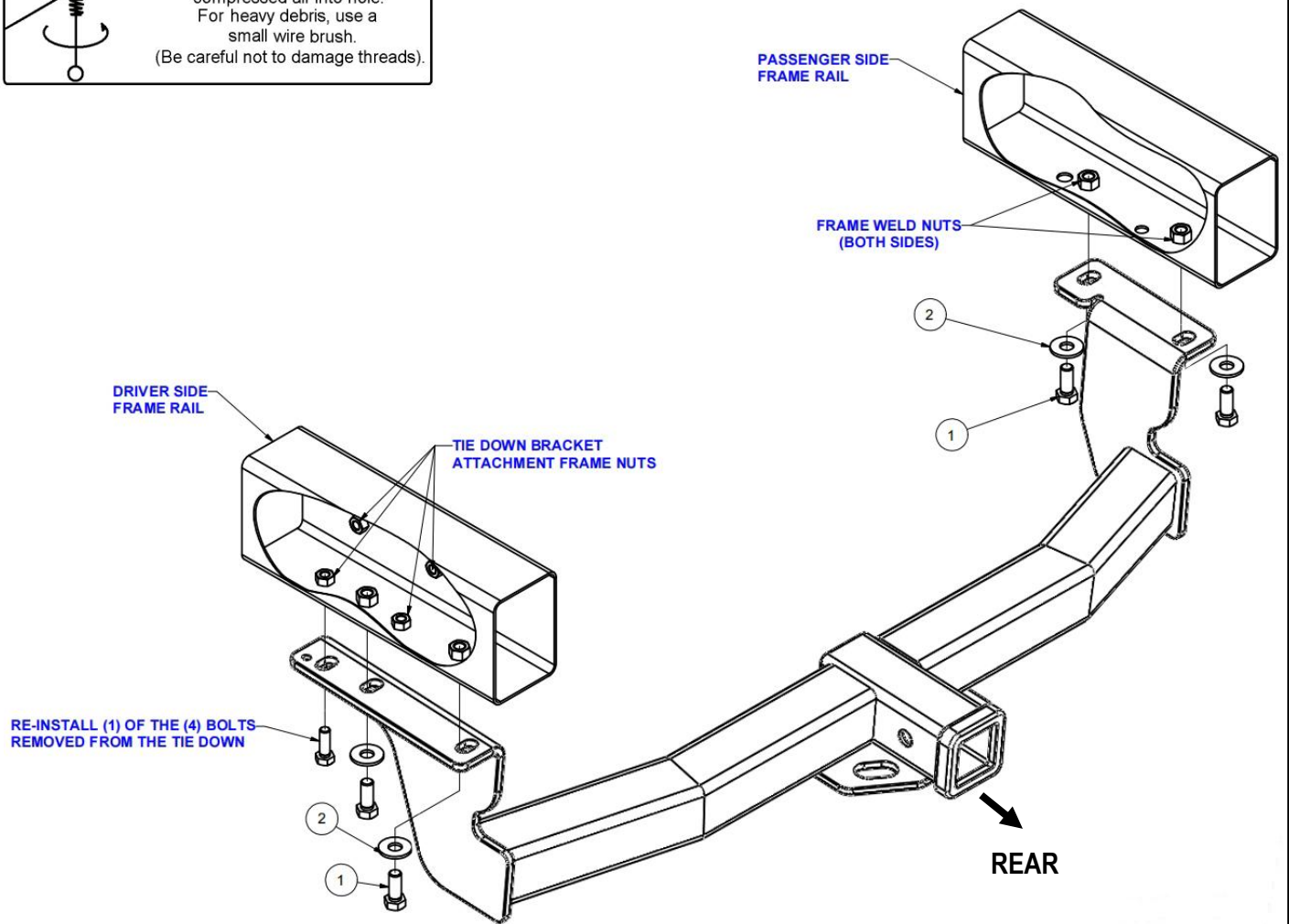
Gross Load Capacity When Used As A Weight Carrying Hitch: 4000 LBS. Trailer Weight & 400 LBS. Tongue Weight.  
**\*\*\*DO NOT EXCEED VEHICLE MANUFACTURER'S RECOMMENDED TOWING CAPACITY.\*\*\***

- \* No Trimming Required
- \* No Drilling Required



**WELDNUT CLEANING**

To remove debris from weldnuts in frame, spray lubricant or compressed air into hole. For heavy debris, use a small wire brush. (Be careful not to damage threads).



The instruction here is for your reference only. We strongly recommend the professional installer for best result. We are not responsible for any damage caused by the installation. Thank you for choosing our product!



## Hitch Installation Instruction

Part#	HT-R30440	Application	For 2009-2014 Nissan Murano ALL
-------	-----------	-------------	---------------------------------

Step	Description
1	Lower exhaust by removing (4) rubber exhaust isolators at rear of vehicle. Note: Spraying a lubricant or soapy water on the metal hanger rod and the rubber isolator helps removal.
2	Remove the (4) bolts holding the tie down bracket onto the vehicle and return all but (1) bolt to the owner. Bolt will be used later.
3	Use a M12-1.25 tap to clean under coating from frame nuts if required.
4	Raise hitch into position between exhaust tip(s) and attach to vehicle using the supplied 12mm bolts and washers. Install the factory bolt as shown above.
5	Torque all 8mm fasteners to 23 lb-ft and all 12mm fasteners to 86 lb-ft.
6	Re-install rubber exhaust isolators removed in step 1.
<b>***Periodically Check The Receiver Hitch To Ensure That All Fasteners *** Are Tight &amp; All Structural Components Are Sound.</b>	

The instruction here is for your reference only. We strongly recommend the professional installer for best result. We are not responsible for any damage caused by the installation. Thank you for choosing our product!