



Hitch Installation Instruction

REV.20231201

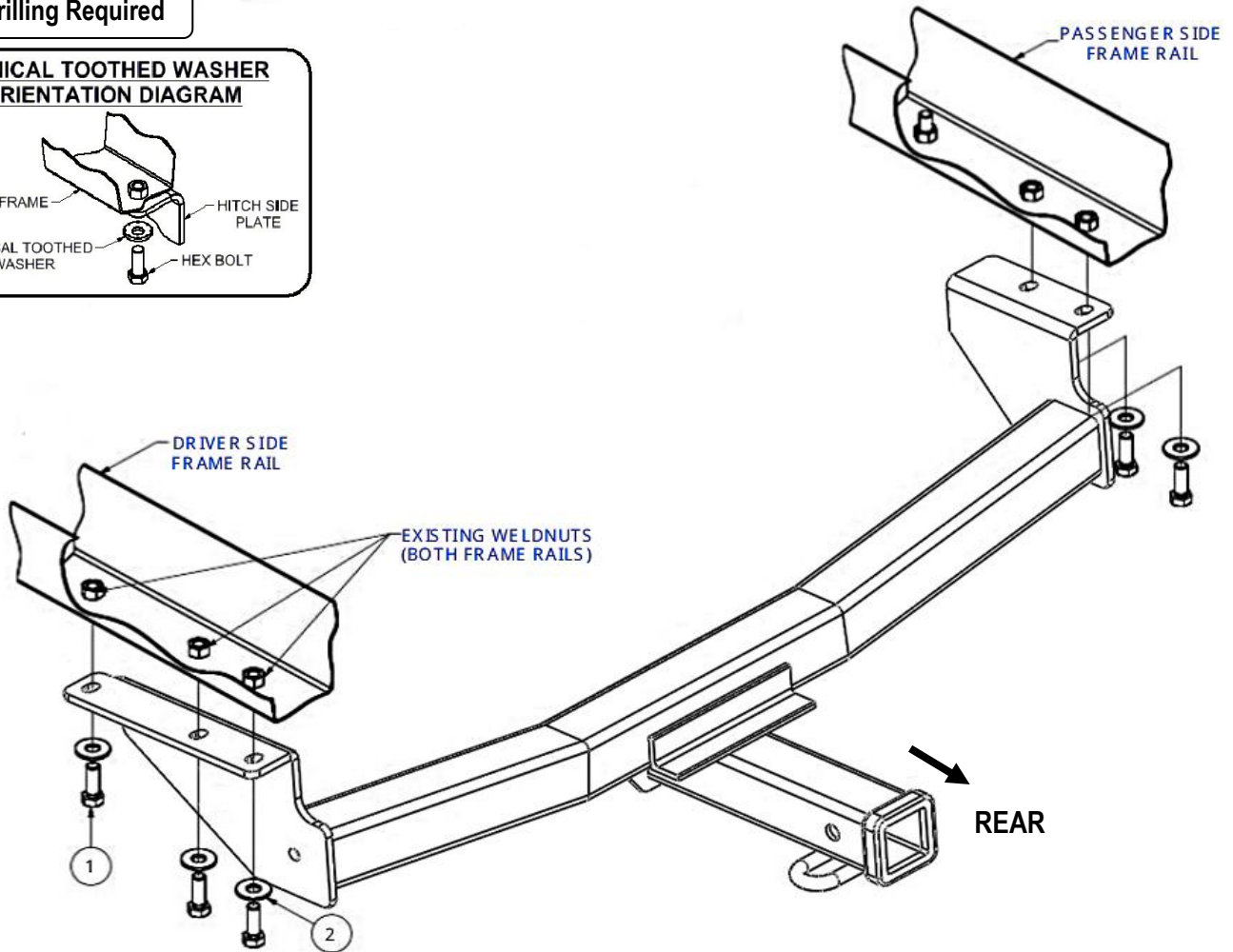
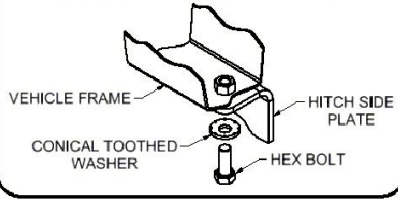
Part#	HT-R30204	Application	For 2008-2020 Nissan Rogue (Excluding Krom) / 2014-2015 Nissan Rogue Select All					
--------------	-----------	--------------------	---	--	--	--	--	--

Hardware List	Item	Part Name	QTY	Description	Item	Part Name	QTY	Description
	1	Hex Bolts	5	M12X1.25-35	2	Conical Washer	5	M12

Gross Load Capacity When Used As A Weight Carrying Hitch: 3500 LBS. Trailer Weight & 525 LBS. Tongue Weight.
*****DO NOT EXCEED VEHICLE MANUFACTURER'S RECOMMENDED TOWING CAPACITY.*****

No Drilling Required

CONICAL TOOTHED WASHER ORIENTATION DIAGRAM

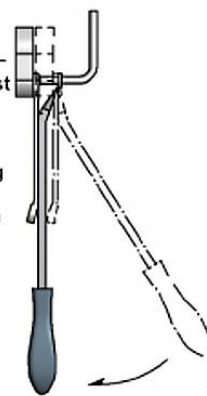


RUBBER ISOLATOR REMOVAL DIAGRAM

This technique can be used if and Exhaust Hanger Removal Pliers is not available.

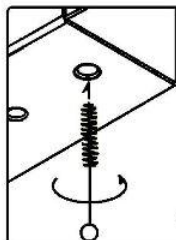
Using a 5/8" open end wrench, slide the wrench up to the rubber isolator, cradling the hanger rod as shown. Next place the flat edge of a pry bar between the wrench and the hanger stop or hanger rod. Then simply rotate the pry bar toward the wrench to remove the rubber isolator.

Note: Using a spray lubricant or soapy water on the hanger rod and the rubber isolator helps removal.



WELDNUT CLEANING

To remove debris from weldnuts in frame, spray lubricant or compressed air into hole. For heavy debris, use a small wire brush. (Be careful not to damage threads).



The instruction here is for your reference only. We strongly recommend the professional installer for best result. We are not responsible for any damage caused by the installation. Thank you for choosing our product!



Hitch Installation Instruction

REV.20231201

Part#	HT-R30204	Application	For 2008-2020 Nissan Rogue (Excluding Krom) / 2014-2015 Nissan Rogue Select All
--------------	-----------	--------------------	---

Step	Description
1	Remove lower under-body panels, if present, using a small screwdriver and Phillips head screwdriver and return to vehicle owner.
2	Remove tow hook / bracket from the passenger side frame rail (4-5 bolts) and return to vehicle owner.
3	Lower exhaust for ease of installation.
4	Raise hitch into position and secure with hex bolts and conical washers as shown in the diagram above.
5	Torque all M12 fasteners to 86 lbs-ft.
6	Reinstall exhaust, if removed in Step 3.

The instruction here is for your reference only. We strongly recommend the professional installer for best result. We are not responsible for any damage caused by the installation. Thank you for choosing our product!