

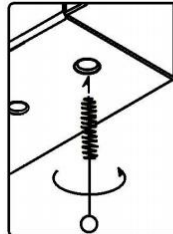
<b>Part#</b>	HT-R30162	<b>Application</b>	For 2013-2016 Nissan Pathfinder / 2014-2020 Infiniti QX60
--------------	-----------	--------------------	---

Hardware List	Item	Part Name	QTY	Description	Item	Part Name	QTY	Description
	1#	Hex Bolts	6	M12X1.25-30	2#	Conical Washers	6	

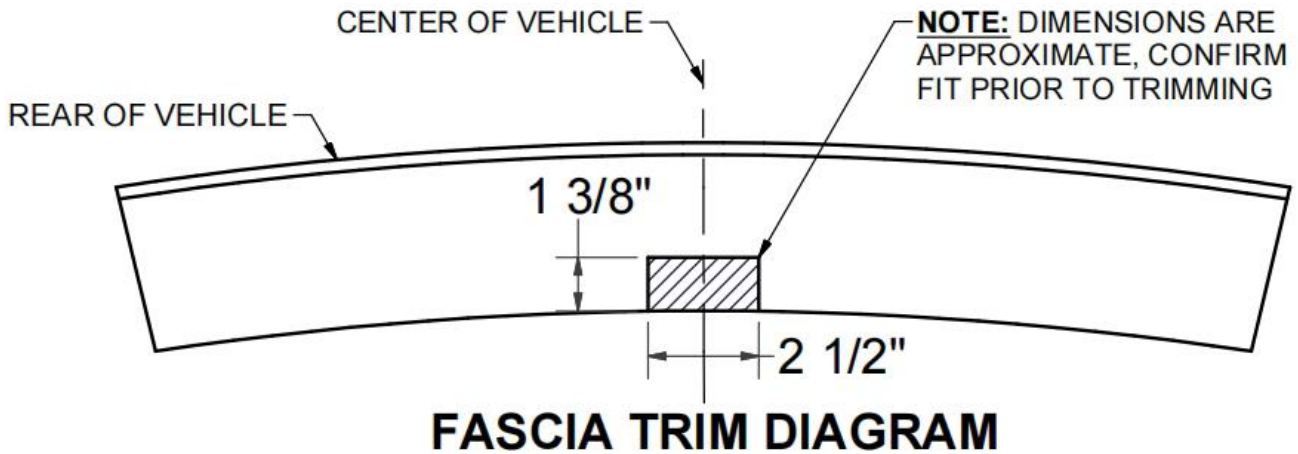
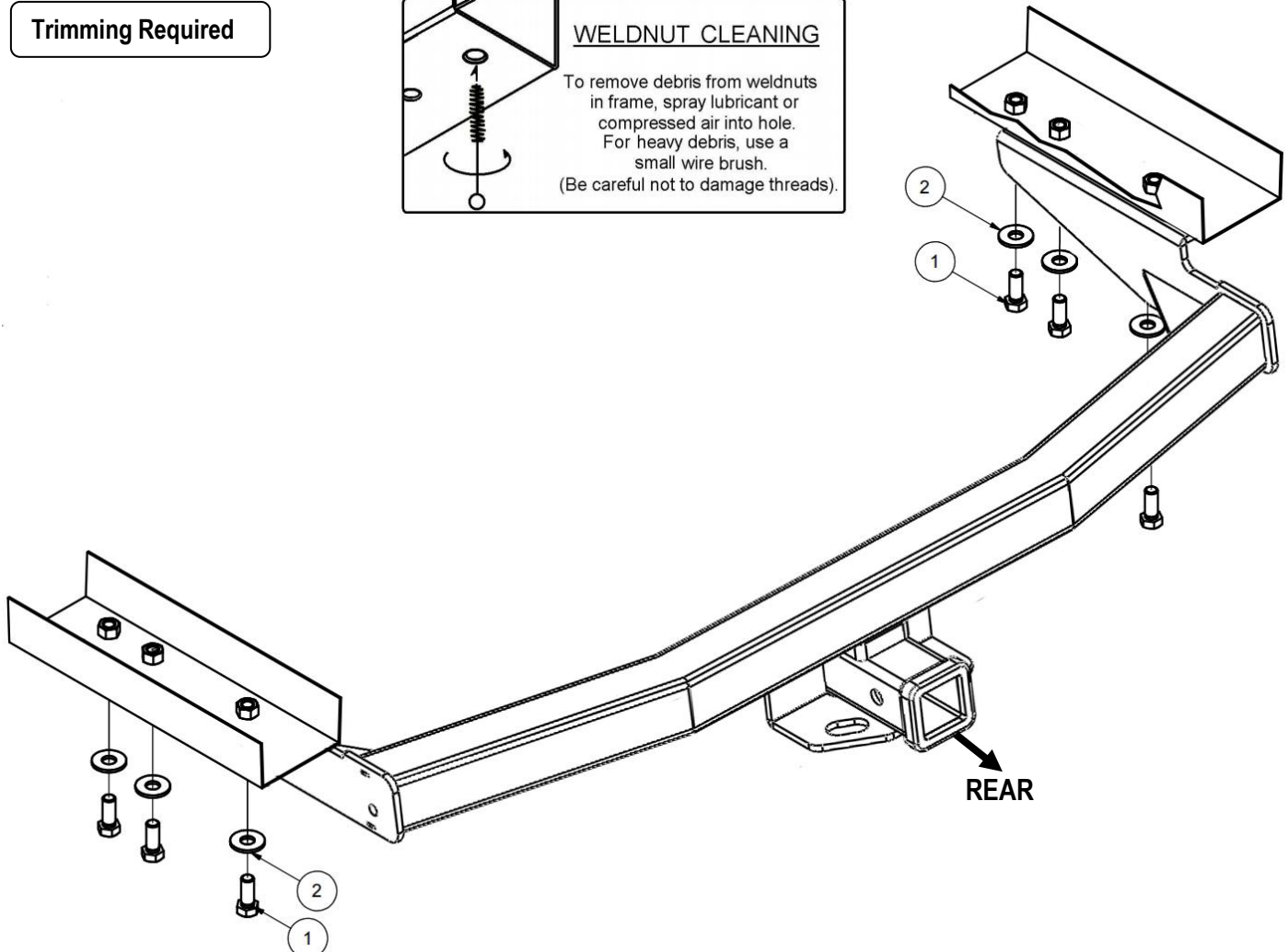
Gross Load Capacity When Used As A Weight Carrying Hitch:4000 LBS. Trailer Weight & 600 LBS. Tongue Weight.  
 Gross Load Capacity When Used As A Distribution Carrying Hitch:5000 LBS. Trailer Weight & 600 LBS. Tongue Weight.  
**\*\*\*DO NOT EXCEED VEHICLE MANUFACTURER'S RECOMMENDED TOWING CAPACITY.\*\*\***

**Trimming Required**

**WELDNUT CLEANING**







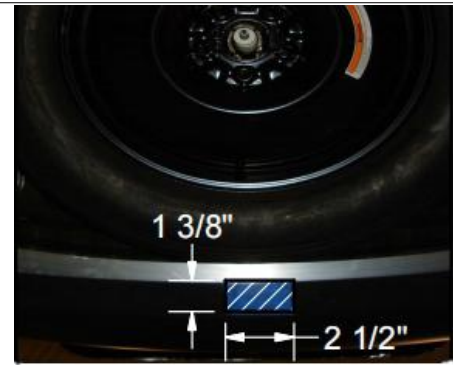



To remove debris from weldnuts in frame, spray lubricant or compressed air into hole. For heavy debris, use a small wire brush. (Be careful not to damage threads).



The instruction here is for your reference only. We strongly recommend the professional installer for best result. We are not responsible for any damage caused by the installation. Thank you for choosing our product!

<b>Part#</b>	HT-R30162	<b>Application</b>	For 2013-2016 Nissan Pathfinder / 2014-2020 Infiniti QX60
--------------	-----------	--------------------	---

<b>Step</b>	<b>Description</b>	
1	Remove tow hook from driver side frame rail. Return tow hook and fasteners to vehicle owner.	
		
2	Lower spare tire using tire lug wrench or ratchet with 21mm socket.	
		
3	Remove fascia mounting brackets by first removing plastic clips on bottom of fascia and then unbolting brackets from bumper. Retain for re-installation after hitch installation.	
		
4	Locate center of vehicle fascia and mark area as shown for fascia trimming, approximately 2 1/2" x 1 3/8". Trim fascia.	
		

The instruction here is for your reference only. We strongly recommend the professional installer for best result. We are not responsible for any damage caused by the installation. Thank you for choosing our product!

<b>Part#</b>	HT-R30162	<b>Application</b>	For 2013-2016 Nissan Pathfinder / 2014-2020 Infiniti QX60
--------------	-----------	--------------------	---

5	<p>Raise hitch into position and secure with M12 x 1.25 x 30mm hex bolts and conical toothed washers into existing weldnuts. Torque all M12 fasteners to 86 ft-lbs.</p> <p>Reinstall fascia mounting brackets.</p>	
	6	<p>Raise spare tire back into position. Installation is complete.</p>

The instruction here is for your reference only. We strongly recommend the professional installer for best result. We are not responsible for any damage caused by the installation. Thank you for choosing our product!