



# Hitch Installation Instruction

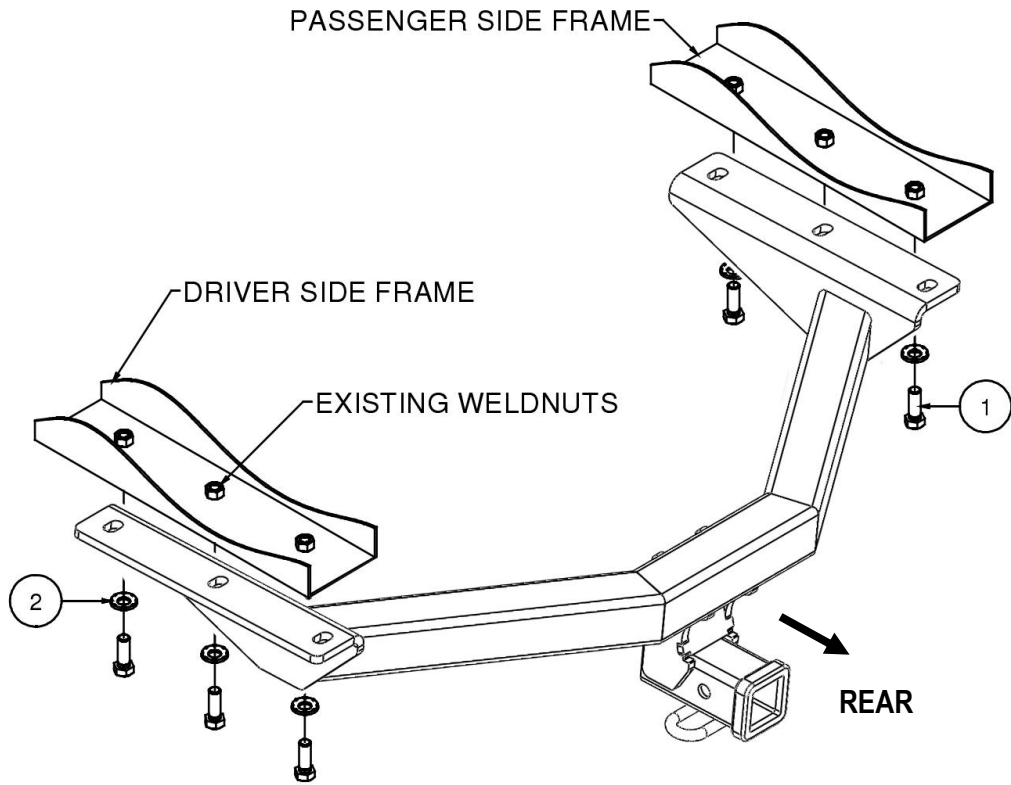
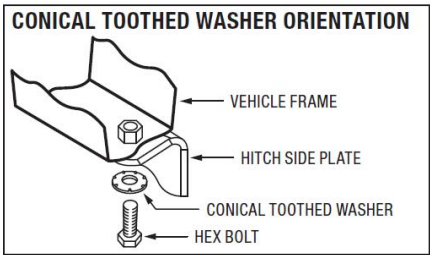
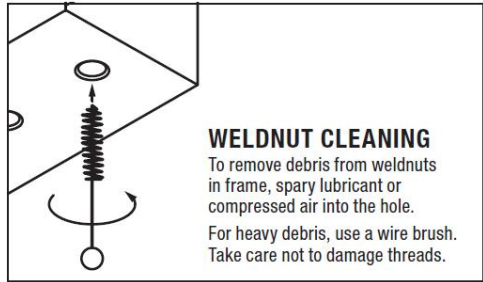
REV.20231001

Part#	HT-R30146	Application	For 2014-2020 Acura MDX ALL / 2016-2021 Honda Pilot ALL				
-------	-----------	-------------	---	--	--	--	--

Hardware List	Item	Part Name	QTY	Description	Item	Part Name	QTY	Description
		1#	Hex Bolts	6	M14 X1.5-40	2#	Conical Washer	6

Gross Load Capacity When Used As A Weight Carrying Hitch: 6000 LBS. Trailer Weight & 900 LBS. Tongue Weight.  
 Gross Load Capacity When Used As A Weight Distribution Hitch: 8000LBS. Trailer Weight & 900 LBS. Tongue Weight  
**\*\*\*DO NOT EXCEED VEHICLE MANUFACTURER'S RECOMMENDED TOWING CAPACITY.\*\*\***

**\* No Drilling Required**



Step	Description
1	Lower spare tire from inside of vehicle by using the tools under storage compartment.
2	Weldnut cleaning may be required. Raise hitch into position and secure with the M14 hardware provided. Torque M14 bolts to 139 lb-ft.
3	Raise spare tire back into place following instructions step 1.

\*\*\*Periodically Check The Receiver Hitch To Ensure That All Fasteners \*\*\*  
 Are Tight & All Structural Components Are Sound.

The instruction here is for your reference only. We strongly recommend the professional installer for best result. We are not responsible for any damage caused by the installation. Thank you for choosing our product!