

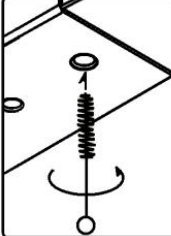
Part#	HT-R30143	Application	For 2010-2015 Lexus RX350 & RX450H					
--------------	-----------	--------------------	------------------------------------	--	--	--	--	--

Hardware List	Item	Part Name	QTY	Description	Item	Part Name	QTY	Description
	1#	Hex Bolts	6	M12X1.25-40	2#	Conical Washers	6	M12

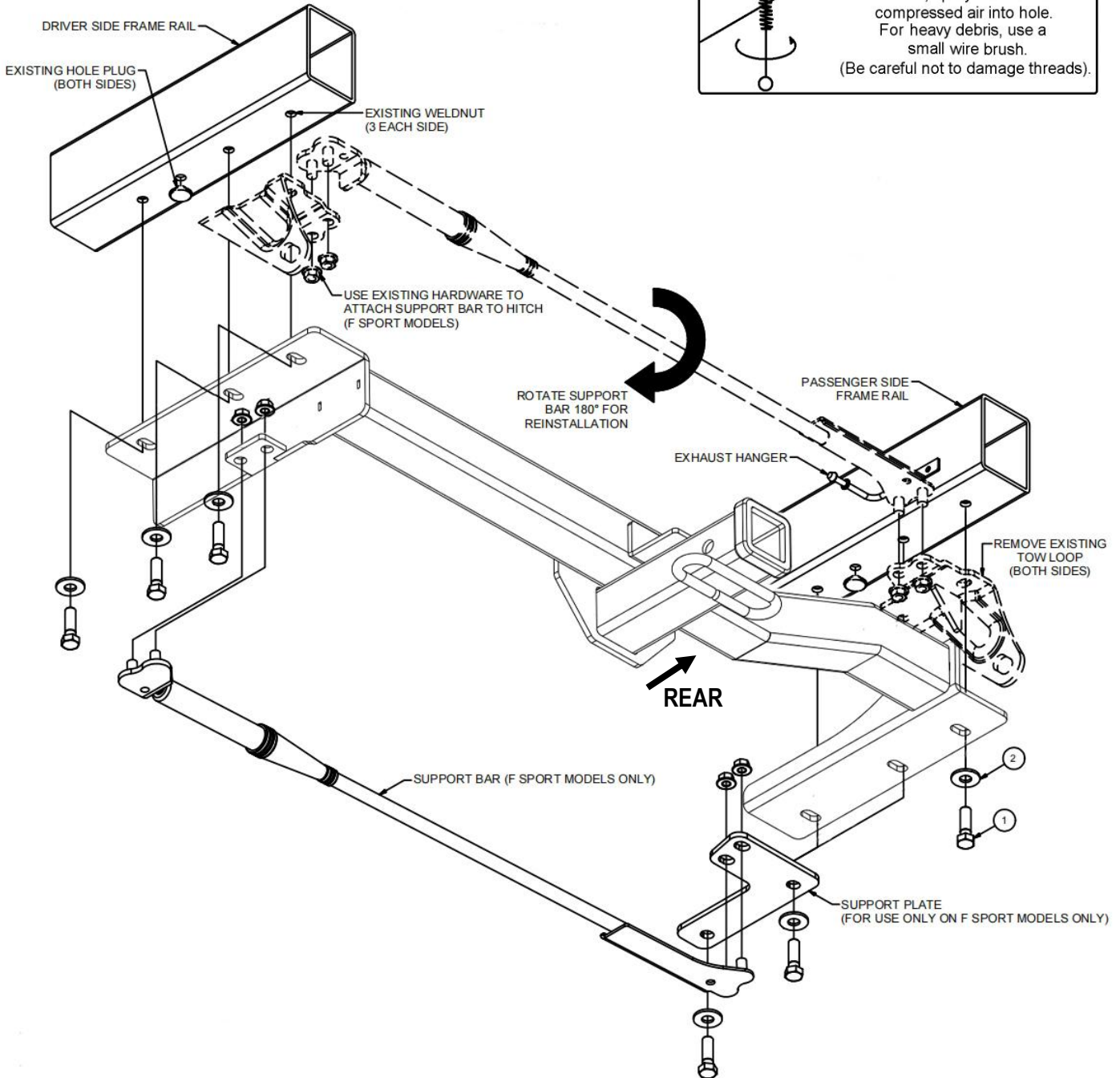
Gross Load Capacity When Used As A Weight Carrying Hitch:4000 LBS. Trailer Weight & 600 LBS. Tongue Weight.
 Gross Load Capacity When Used As A Weight Distribution Hitch:5000 LBS. Trailer Weight & 600 LBS. Tongue Weight.
*****DO NOT EXCEED VEHICLE MANUFACTURER'S RECOMMENDED TOWING CAPACITY.*****

**No Drilling Required
Trimming Required**

WELDNUT CLEANING






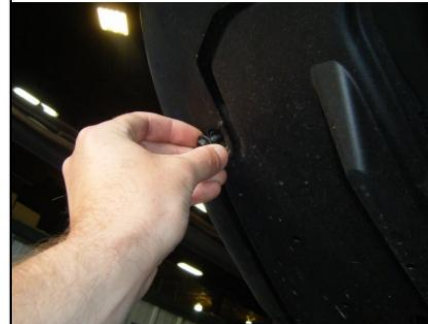




To remove debris from weldnuts in frame, spray lubricant or compressed air into hole. For heavy debris, use a small wire brush. (Be careful not to damage threads).




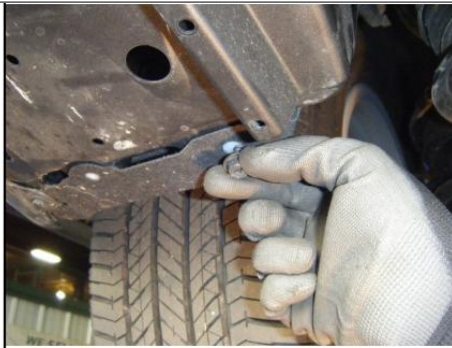

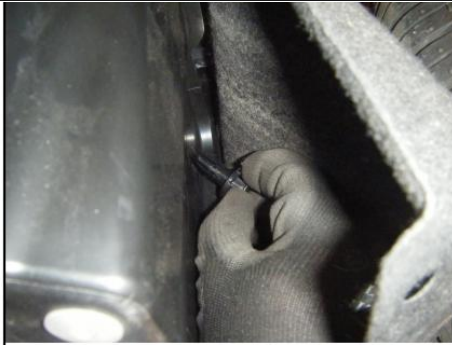




The instruction here is for your reference only. We strongly recommend the professional installer for best result. We are not responsible for any damage caused by the installation. Thank you for choosing our product!

Part#	HT-R30143	Application	For 2010-2015 Lexus RX350 & RX450H
--------------	-----------	--------------------	------------------------------------









Step	Description	
1	Remove (13) fasteners that secure the lower fascia, using a flat head screw driver and 10mm socket. Fastener (1) removal.	
		
2	Fastener (2 and 3) removal.	
		
3	Fastener (4 and 5) removal.	
		
4	Fastener (6) removal. (First photo shows removal technique using flat blade screwdriver.)	
		

The instruction here is for your reference only. We strongly recommend the professional installer for best result. We are not responsible for any damage caused by the installation. Thank you for choosing our product!


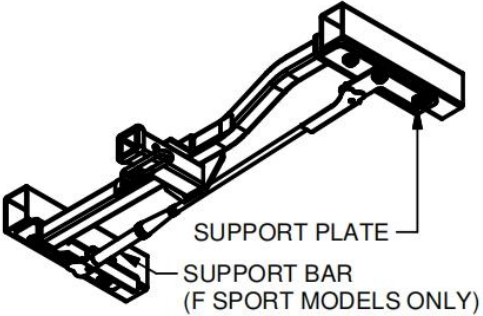


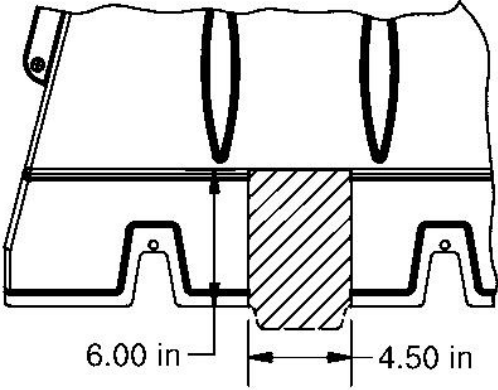
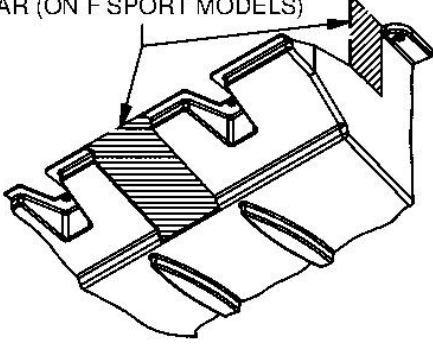


Part#	HT-R30143	Application	For 2010-2015 Lexus RX350 & RX450H
--------------	-----------	--------------------	------------------------------------

5	Fastener (7 and 8) removal.	
		
6	Fastener (9) is hidden behind wheel well trim. Pull back wheel well trim and remove plunger style fastener.	
		
7	Fasteners (10 and 11) removal.	
		
8	Fasteners (12 and 13) removal. Unscrew fasteners, you may need to pull down on plastic to pop fascia free. Remove fascia and place in a safe area. Fascia will be reinstalled in step (17).	
		



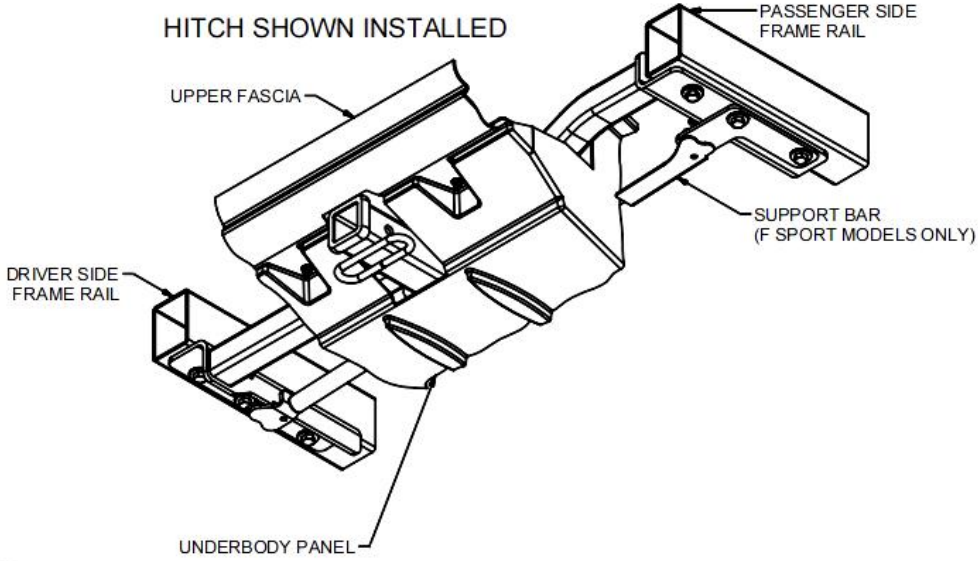
The instruction here is for your reference only. We strongly recommend the professional installer for best result. We are not responsible for any damage caused by the installation. Thank you for choosing our product!

Part#	HT-R30143	Application	For 2010-2015 Lexus RX350 & RX450H
9	<p>Using a 17mm socket remove tow loops from the driver and passenger side frame rails. (F Sport models only) Remove support bar which is attached to tow loops by removing four nuts. The existing nuts will be used to attach the support bar to the hitch.</p> <div style="display: flex; justify-content: space-around;">   </div>		
10	<p>Remove hole plugs from the driver and passenger side frame rails. The second photo shows all the hardware that was removed. (F Sport will have four additional nuts.)</p> <div style="display: flex; justify-content: space-around;">   </div>		
11	<p>Clean weld nuts if necessary. Raise hitch into position starting with the passenger side plate. Pull down on the exhaust and slide the passenger side plate into position. Align holes in the frame rails with the holes in the hitch.</p> <div style="display: flex; justify-content: space-between;"> <div data-bbox="210 1191 434 1505" style="width: 30%;">  <p>WELDNUT CLEANING</p> <p>To remove debris from weldnuts in frame, spray lubricant or compressed air into hole. For heavy debris, use a small wire brush. (Be careful not to damage threads).</p> </div> <div data-bbox="874 1182 1305 1505" style="width: 60%;">  </div> </div>		
12	<p>Secure hitch and tow loops with supplied 12mm bolts and 1/2" conical toothed washers into weldnuts. NOTE: (F Sport models only) Place support plate under passenger side plate, as shown on page 2. Hitch will be clamped between frame and support plate. NOTE: Tow loops cannot be reattached on F Sport models. Tow loop reattachment is optional on other models.</p> <div style="display: flex; justify-content: space-around;">   </div>		

The instruction here is for your reference only. We strongly recommend the professional installer for best result. We are not responsible for any damage caused by the installation. Thank you for choosing our product!

Part#	HT-R30143	Application	For 2010-2015 Lexus RX350 & RX450H
13	<p>Torque all 12mm fasteners to 86 ft-lbs. (F Sport models only) Attach the support bar to the hitch and support plate using the existing nuts.</p> <p>NOTE: Support bar will be rotated upside down from how it was originally attached to the tow loops.</p> <div style="display: flex; justify-content: space-around;">   </div>		
14	<p>Installed hitch shown in proper position.</p> <div style="display: flex; justify-content: space-around;">   </div>		
15	<p>15. Fascia trim details. NOTE: Consult vehicle owner prior to trimming.</p> <div style="display: flex; justify-content: space-around;">  <div style="text-align: center;"> <p>TRIM FASCIA AS NEEDED FOR HITCH / SUPPORT BAR (ON F SPORT MODELS)</p>  </div> </div>		
16	<p>Using masking tape, layout the area to be trimmed, as shown. Use a rotary tool (or aviation shears) to trim the fascia.</p> <div style="display: flex; justify-content: space-around;">   </div>		

The instruction here is for your reference only. We strongly recommend the professional installer for best result. We are not responsible for any damage caused by the installation. Thank you for choosing our product!

Part#	HT-R30143	Application	For 2010-2015 Lexus RX350 & RX450H
17	<p>Raise fascia back into position, check for proper fit and clearance. If fascia doesn't fit properly trim and try again. Reattach fascia using existing hardware removed earlier. Return all unused hardware to vehicle owner.</p> <div data-bbox="320 369 847 667"></div> <div data-bbox="874 333 1358 698"></div>		
18	<p>Installation Complete.</p> <div data-bbox="395 786 1377 1344"><p>HITCH SHOWN INSTALLED</p><p>UPPER FASCIA</p><p>DRIVER SIDE FRAME RAIL</p><p>PASSENGER SIDE FRAME RAIL</p><p>SUPPORT BAR (F SPORT MODELS ONLY)</p><p>UNDERBODY PANEL</p></div>		

The instruction here is for your reference only. We strongly recommend the professional installer for best result. We are not responsible for any damage caused by the installation. Thank you for choosing our product!