



Hitch Installation Instruction

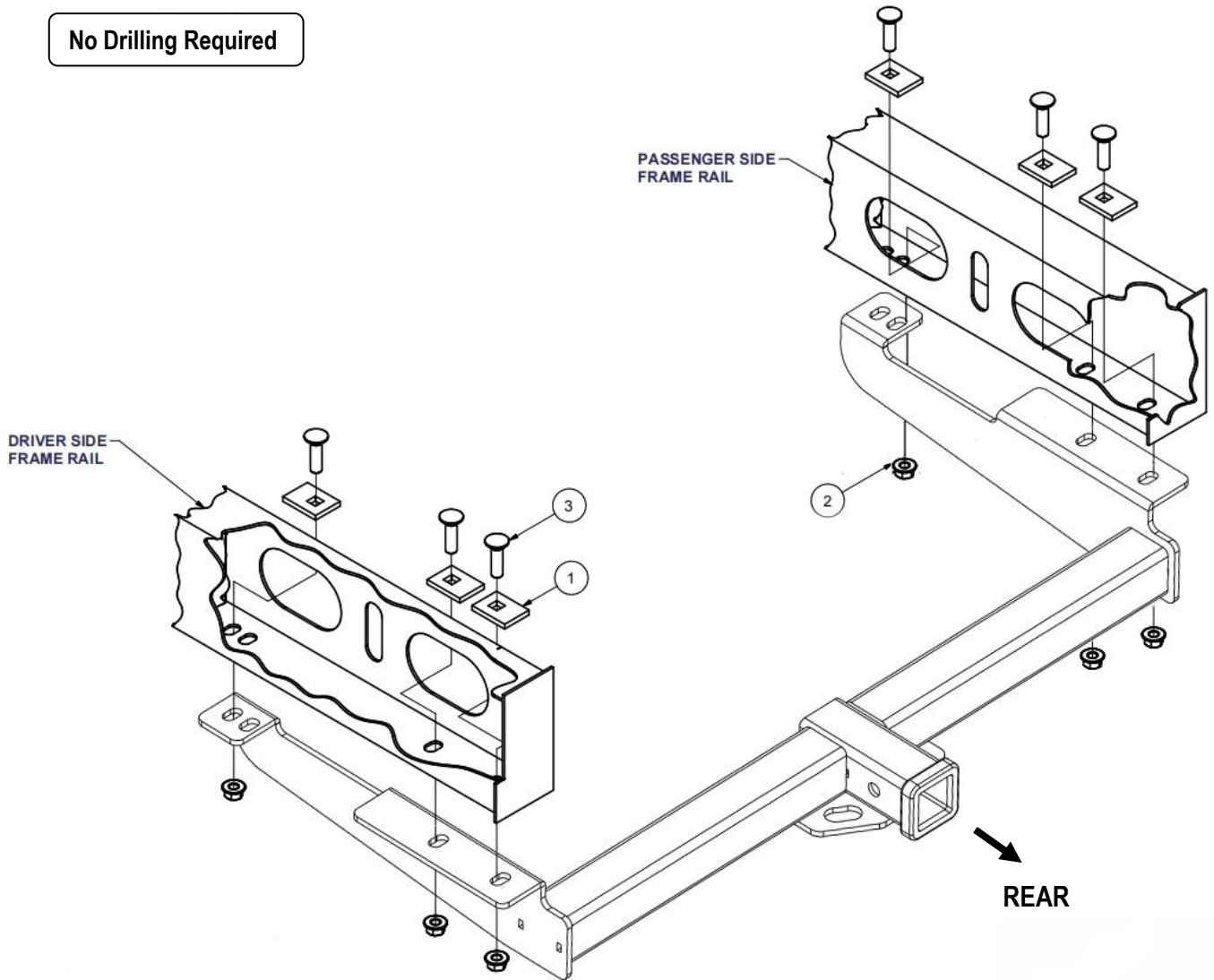
REV.20231201

| | | | |
|--------------|-----------|--------------------|---|
| Part# | HT-R39245 | Application | For 1996-2014 Chevrolet Express 1500/GMC Savana 1500 1996-2024 Chevrolet Express /GMC Savana 2500/3500 (Excl. Cutaway) |
|--------------|-----------|--------------------|---|

| Hardware List | Item | Part Name | QTY | Description | Item | Part Name | QTY | Description |
|---------------|------|-----------------|-----|--------------|------|----------------|-----|-------------|
| | 1# | Spacers | 6 | With SQ hole | 3# | Carriage Bolts | 6 | M12X1.75-45 |
| | 2# | Hex Flange Nuts | 6 | M12X1.75 | | | | |

Gross Load Capacity When Used As A Weight Carrying Hitch: 6000 LBS. Trailer Weight & 600 LBS. Tongue Weight.
 Gross Load Capacity When Used As A Weight Distribution Hitch: 10000 LBS. Trailer Weight & 1000 LBS. Tongue Weight.
*****DO NOT EXCEED VEHICLE MANUFACTURER'S RECOMMENDED TOWING CAPACITY.*****

No Drilling Required



| Step | Description |
|------|--|
| 1 | Raise hitch into position |
| 2 | Using existing holes in the frame, place M12 bolts and spacers through the access slots and into the hitch through the holes in the frame. Tighten with M12 flange nuts. |
| 3 | Torque all M12 fasteners to 86 ft-lbs. |

The instruction here is for your reference only. We strongly recommend the professional installer for best result. We are not responsible for any damage caused by the installation. Thank you for choosing our product!