



Hitch Installation Instruction

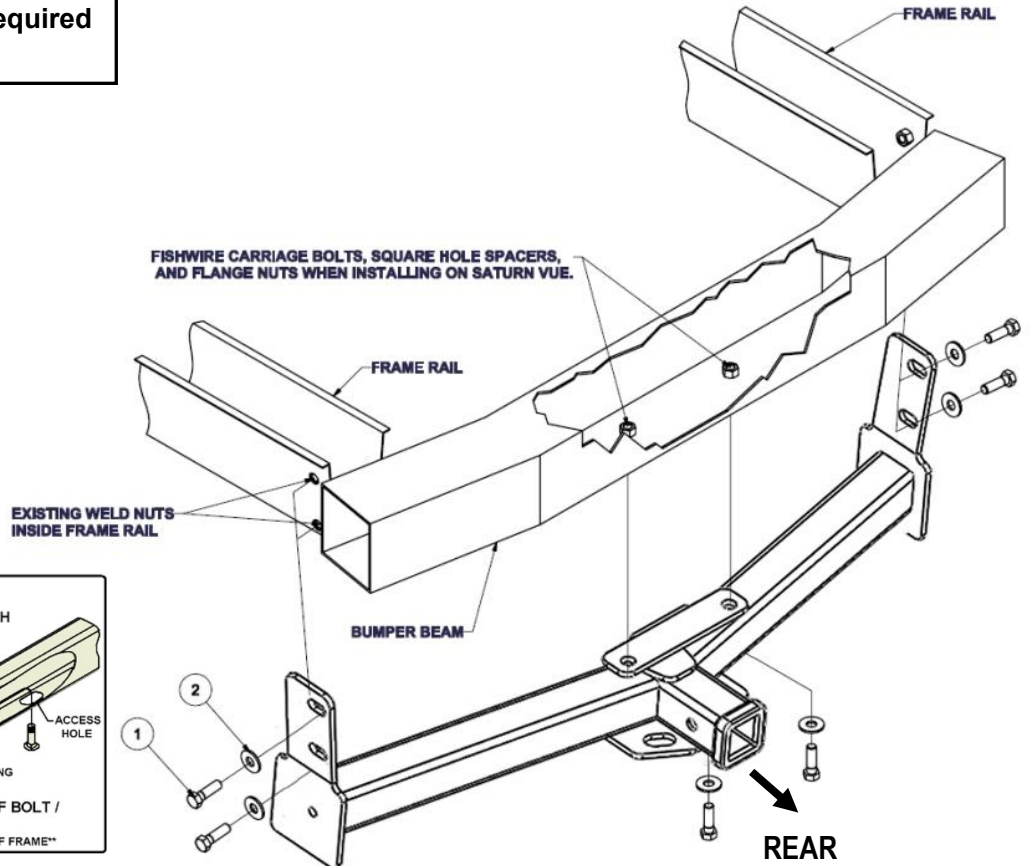
REV.20231201

Part#	HT-R39158	Application	For 2005-2017 Chevrolet Equinox 2010-2017 GMC Terrain 2006-2009 Pontiac Torrent 2002-2007 Saturn Vue					
-------	-----------	-------------	---	--	--	--	--	--

Hardware List	Item	Part Name	QTY	Description	Item	Part Name	QTY	Description
	1	Hex Bolts	6	M12X1.75-40	4	Spacer	2	Square hole spacer
	2	Conical Washer	6	M12	5	Flange Nut	2	M12X1.75
	3	Carriage Bolt	2	M12X1.75-45	6	Fish Wire	1	

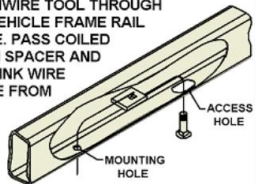
Gross Load Capacity When Used As A Weight Carrying Hitch: 3500 LBS. Trailer Weight & 350 LBS. Tongue Weight.
 Gross Load Capacity When Used As A Weight Distribution Hitch: 4000LBS. Trailer Weight & 400 LBS. Tongue Weight
*****DO NOT EXCEED VEHICLE MANUFACTURER'S RECOMMENDED TOWING CAPACITY.*****

NOTE: Fascia trimming required on Saturn Vue Redline



FISHWIRE TECHNIQUE

INSERT COILED END OF FISHWIRE TOOL THROUGH HITCH MOUNTING HOLE IN VEHICLE FRAME RAIL AND OUT THE ACCESS HOLE. PASS COILED END OF FISHWIRE THROUGH SPACER AND THREAD BOLT INTO COIL. KINK WIRE TO KEEP SPACER SEPERATE FROM BOLT AS SHOWN. PULL FISHWIRE, SPACER, AND BOLT THROUGH FRAME AND OUT MOUNTING HOLE. USE FISHWIRE TO GUIDE HITCH DURING MOUNTING AND PREVENT LOSS OF BOLT / SPACER INSIDE FRAME RAIL.



****NOTE: SOME VEHICLES MAY FISHWIRE THROUGH END OF FRAME****

Step	Description
1	Remove the center panel of the fascia for the hitch installation (For Chevy Equinox and the GMC Terrain).
2	Remove existing M12 fasteners from outside surfaces of frame rails.
3	Raise hitch and fasten to bumper beam with M12 bolts and conical washers.
4	Fasten the hitch on outside surfaces of frame rails with M12 bolts and conical washers.
5	Remaining carriage bolts and spacers through end of bumper beam using Fish wire. (See FISHWIRE TECHNIQUE)
6	Tighten all fasteners. Torque all M12 hardware to 56-58 ft-lbs.

***Periodically Check The Receiver Hitch To Ensure That All Fasteners ***
 Are Tight & All Structural Components Are Sound.

The instruction here is for your reference only. We strongly recommend the professional installer for best result. We are not responsible for any damage caused by the installation. Thank you for choosing our product!