



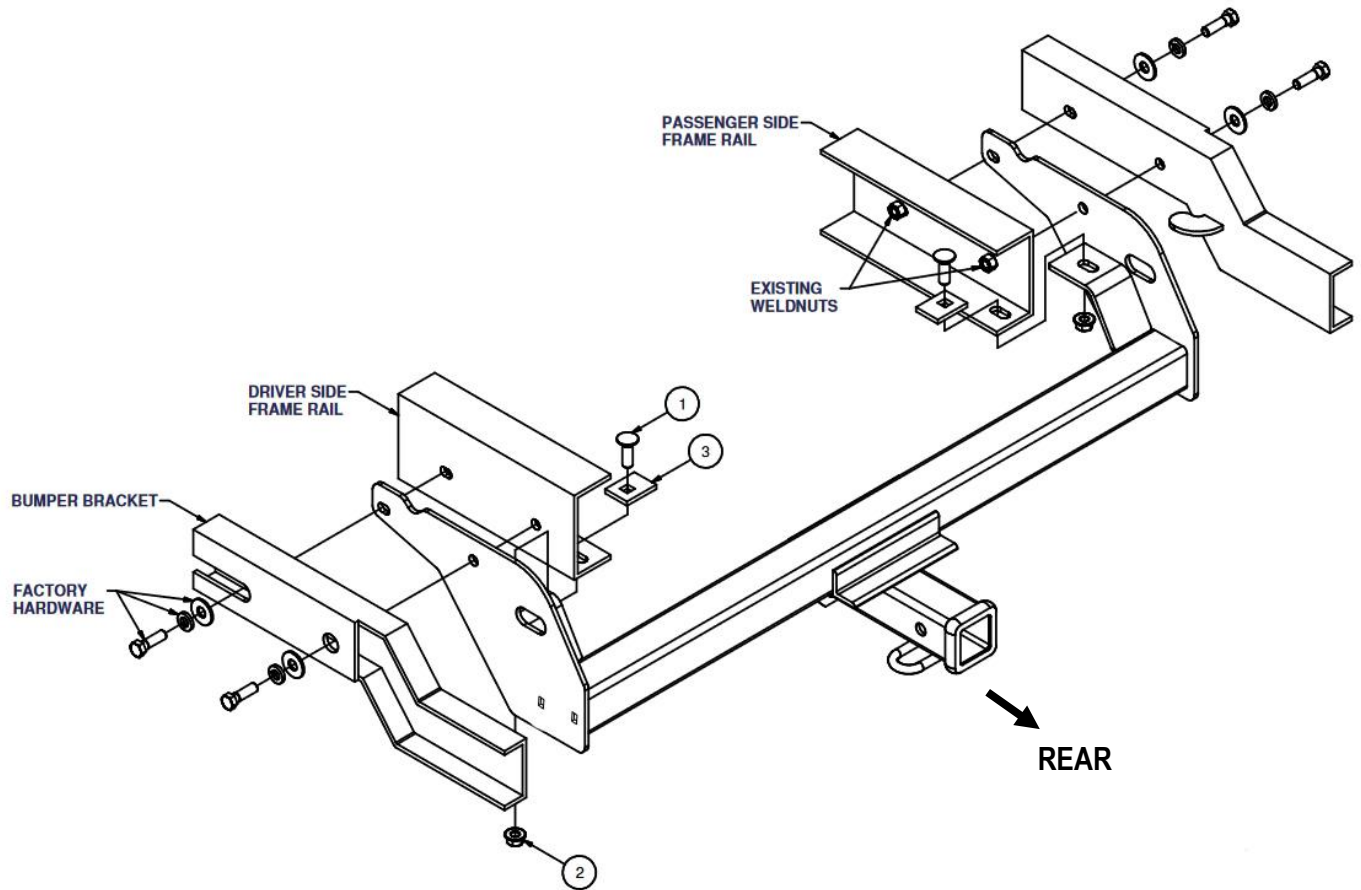
Hitch Installation Instruction

REV.20231201

Part#	HT-R38356	Application	For 1995-2004 Toyota Tacoma ALL
--------------	-----------	--------------------	---------------------------------

Hardware List	Item	Part Name	QTY	Description	Item	Part Name	QTY	Description
	1#	Carriage Bolts	2	M12X1.75-40	3#	Spacers	2	With SQ hole
	2#	Hex Flange Nuts	2	M12X1.75				

Gross Load Capacity When Used As A Weight Carrying Hitch:5000 LBS. Trailer Weight & 500 LBS. Tongue Weight.
 Gross Load Capacity When Used As A Weight Carrying Hitch:6000 LBS. Trailer Weight & 600 LBS. Tongue Weight.
*****DO NOT EXCEED VEHICLE MANUFACTURER'S RECOMMENDED TOWING CAPACITY.*****



Step	Description
1	Disconnect the license plate wiring connectors from the bumper.
2	Remove the two bolts mounting the bumper to the bumper brackets on each side. Remove the bumper from the vehicle.
3	Remove bumper brackets from the frame rails and the two bolts on each side.
4	Position the receiver against the frame and install the M12 Carriage Bolts.
5	Re-install the bumper brackets and make sure the tabs go through the slots on the side bracket.
6	Re-install the bumper and license plate wires using the factory hardware.
7	Torque M12 Fasteners to 86 lb-ft.

The instruction here is for your reference only. We strongly recommend the professional installer for best result. We are not responsible for any damage caused by the installation. Thank you for choosing our product!