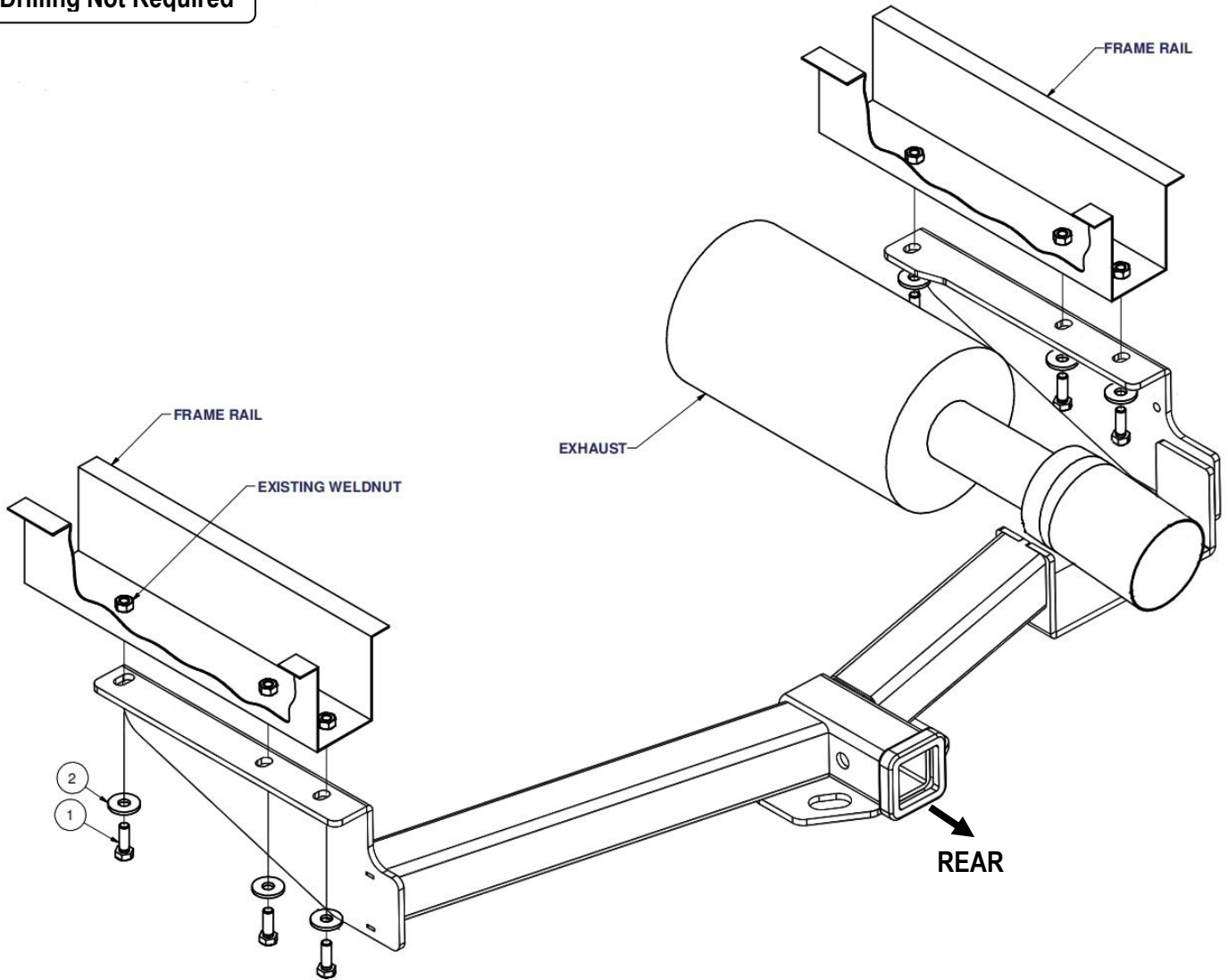


|              |           |                    |  |
|--------------|-----------|--------------------|--|
| <b>Part#</b> | HT-R38335 | <b>Application</b> | For 2004-2007 Toyota Highlander / 2004-2006 Lexus RX330 / 2006-2008 Lexus RX400H / 2007-2009 Lexus RX350 |
|--------------|-----------|--------------------|--|

| Hardware List | Item | Part Name | QTY | Description | Item | Part Name       | QTY | Description |
|---------------|------|-----------|-----|-------------|------|-----------------|-----|-------------|
|               | 1#   | Hex Bolts | 6   | M10X1.25-30 | 2#   | Conical Washers | 6   | M10         |

Gross Load Capacity When Used As A Weight Carrying Hitch:3500 LBS. Trailer Weight & 350 LBS. Tongue Weight.  
 Gross Load Capacity When Used As A Weight Distribution Hitch:4000 LBS. Trailer Weight & 400 LBS. Tongue Weight.  
**\*\*\*DO NOT EXCEED VEHICLE MANUFACTURER'S RECOMMENDED TOWING CAPACITY.\*\*\***

**Drilling Not Required**



| Step | Description  |
|------|--|
| 1    | Remove tie down brackets if present.   |
| 2    | Maneuver passenger side plate around the exhaust and hold hitch up against frame.                          |
| 3    | Align hitch mounting holes to existing weld-nuts in frame. Install M10 bolts and conical washers as shown. |
| 4    | Torque M10 fasteners to 49 lb-ft.  |

The instruction here is for your reference only. We strongly recommend the professional installer for best result. We are not responsible for any damage caused by the installation. Thank you for choosing our product!