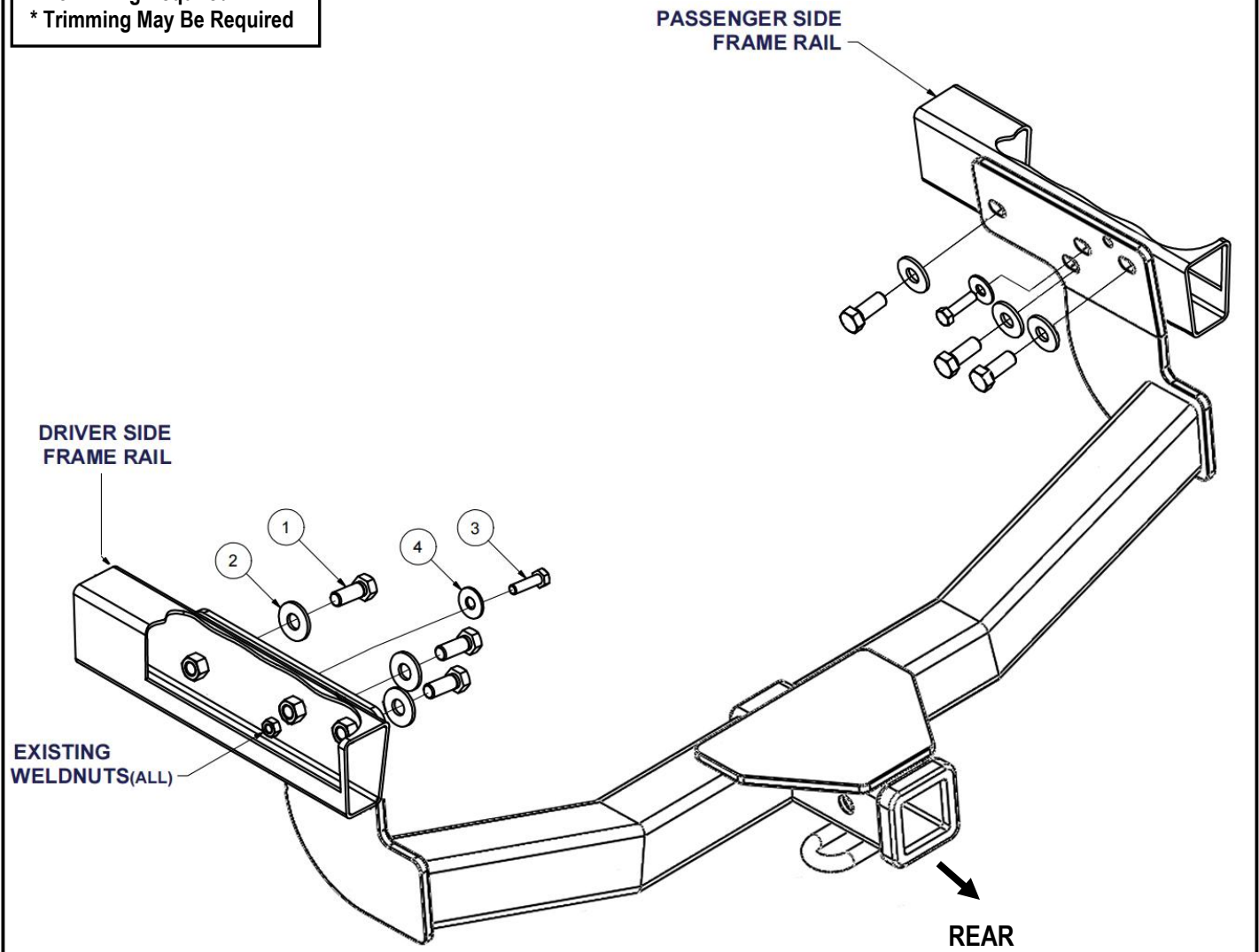


Part#	HT-R37830	Application	For 2007-2015 Mazda CX-9					
-------	-----------	-------------	--------------------------	--	--	--	--	--

Hardware List	Item	Part Name	QTY	Description	Item	Part Name	QTY	Description
	1	Conical Washers	6	M12	3	Hex Bolts	2	M8X1.25-35
2	Hex Bolts	6	M12X1.25-35	4	Conical Washers	2	M8	

Gross Load Capacity When Used As A Weight Carrying Hitch: 4000 LBS. Trailer Weight & 400 LBS. Tongue Weight.
*****DO NOT EXCEED VEHICLE MANUFACTURER'S RECOMMENDED TOWING CAPACITY.*****

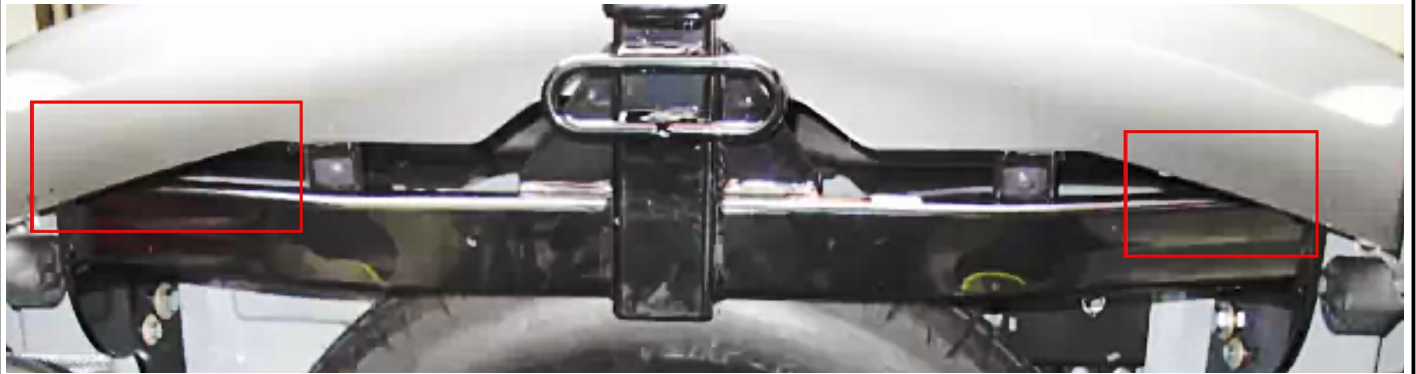
* No Drilling Required
 * Trimming May Be Required



The instruction here is for your reference only. We strongly recommend the professional installer for best result. We are not responsible for any damage caused by the installation. Thank you for choosing our product!

Part#	HT-R37830	Application	For 2007-2015 Mazda CX-9
-------	-----------	-------------	--------------------------

Step	Description
1	Raise hitch into position.
2	Attach, finger tight, with (3) M12 hex bolts and conical toothed washers and (1) M8 hex bolt with a conical washer per side.
3	For Some Models: Hitch may interfere with bumper fascia. Trimming is required as shown.



4	Torque all M12 hardware to 86 ft.-lb. and all M8 hardware to 23 ft.-lb.
---	---

*****Periodically Check The Receiver Hitch To Ensure That All Fasteners ***
Are Tight & All Structural Components Are Sound.**

The instruction here is for your reference only. We strongly recommend the professional installer for best result. We are not responsible for any damage caused by the installation. Thank you for choosing our product!