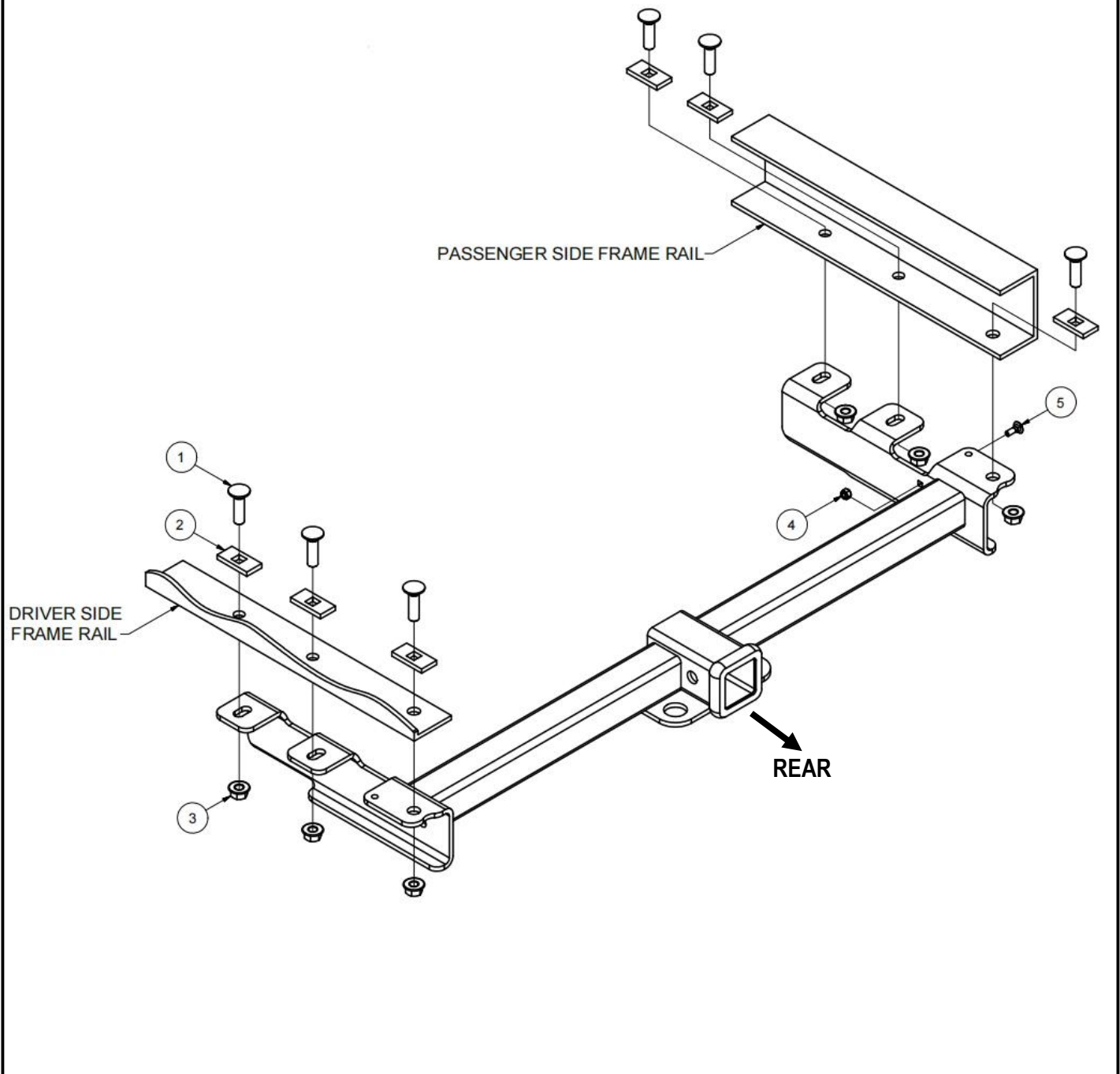


Part#	HT-R37580	Application	For 1999-2007 Chevy Silverado 1500\ 1999-2006 GMC Sierra 1500\ 2007 Chevy Silverado/ GMC Sierra 1500 Classic\ With Roll Pan Bumper Only					
-------	-----------	-------------	---	--	--	--	--	--

Hardware List	Item	Part Name	QTY	Description	Item	Part Name	QTY	Description
	1	Carriage Bolts	6	M12X1.75-45	4	Nylon Lock Nut	1	M6X1
	2	Spacers	6	With SQ Hole	5	Carriage Bolt	1	M6X1-20
	3	Hex Flange Nuts	6	M12X1.75				

Gross Load Capacity When Used As A Weight Carrying Hitch: 5000 LBS. Trailer Weight & 500 LBS. Tongue Weight.  
 Gross Load Capacity When Used As A Weight Distribution Hitch: 8000 LBS. Trailer Weight & 800 LBS. Tongue Weight.  
**\*\*\*DO NOT EXCEED VEHICLE MANUFACTURER'S RECOMMENDED TOWING CAPACITY.\*\*\***

- \* No Drilling Required
- \* Roll Pan Modification Required



The instruction here is for your reference only. We strongly recommend the professional installer for best result. We are not responsible for any damage caused by the installation. Thank you for choosing our product!

Part#	HT-R37580	Application	For 1999-2007 Chevy Silverado 1500\ 1999-2006 GMC Sierra 1500\ 2007 Chevy Silverado/ GMC Sierra 1500 Classic\ With Roll Pan Bumper Only
-------	-----------	-------------	---

Step	Description
1	The roll pan requires cutting for this hitch to be installed. Obtain vehicle owner approval before beginning install.
2	Prior to installation, loosen spare tire and remove the ground wire that is bolted to the bottom of the driver side frame. (Not all models will have the ground wire located here.) After installation, relocate the ground wire to the .281" square hole in the frame bracket using the carriage bolt and the nylon lock nut provided.
3	Loosely fasten the hitch to the frame as shown.
4	Torque all M12 fasteners to 86 lb. ft.; Torque all M6 fasteners to 12 lb. ft.
5	For draw bar installation cut the roll pan in the license plate area to provide access. <b>Note:</b> The license plate must be repositioned when the draw bar is installed.
<b>***Periodically Check The Receiver Hitch To Ensure That All Fasteners *** Are Tight &amp; All Structural Components Are Sound.</b>	

The instruction here is for your reference only. We strongly recommend the professional installer for best result. We are not responsible for any damage caused by the installation. Thank you for choosing our product!