



# Hitch Installation Instruction

REV.20240101

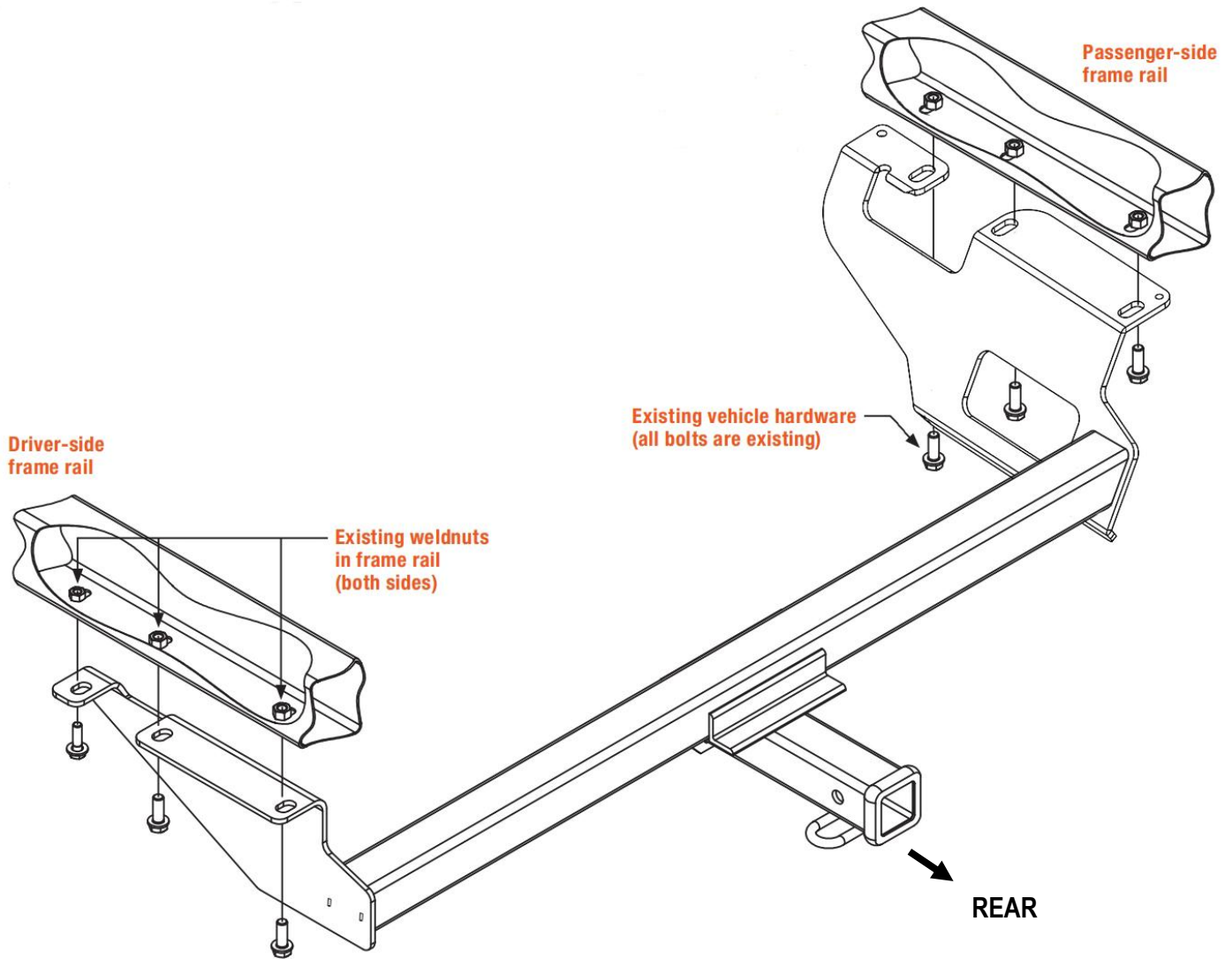
<b>Part#</b>	HT-R37361	<b>Application</b>	For 2008-2016 Chrysler Town & Country \ 2008-2020 Dodge Grand Caravan\2009-2014 Volkswagen Routan\ 2012-2015 Ram C/V (Cargo Van)
--------------	-----------	--------------------	--

Gross Load Capacity When Used As A Weight Carrying Hitch:4000 LBS. Trailer Weight & 400 LBS. Tongue Weight.  
Gross Load Capacity When Used As A Weight Distribution Hitch:5000 LBS. Trailer Weight & 500 LBS. Tongue Weight.  
**\*\*\*DO NOT EXCEED VEHICLE MANUFACTURER'S RECOMMENDED TOWING CAPACITY.\*\*\***

**Note:**

**\*You will be using existing vehicle hardware**

**\*Trimming May Be Required**



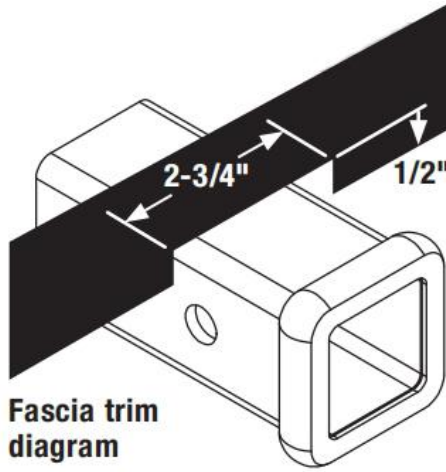
The instruction here is for your reference only. We strongly recommend the professional installer for best result. We are not responsible for any damage caused by the installation. Thank you for choosing our product!



# Hitch Installation Instruction

REV.20240101

<b>Part#</b>	HT-R37361	<b>Application</b>	For 2008-2016 Chrysler Town & Country \ 2008-2020 Dodge Grand Caravan\2009-2014 Volkswagen Routan\ 2012-2015 Ram C/V (Cargo Van)
--------------	-----------	--------------------	--

Step	Description
1	Locate and remove the two bolts from the frame using a 15mm socket and three bolts using an 18mm socket as shown. Remove the bolt(s) securing the exhaust and muffler hanger(s). This will allow the exhaust to drop out of the way for hitch installation.
2	Raise the hitch into position against the bottom of the vehicle frame and align the holes in the hitch frame brackets with the holes in the vehicle frame. Make sure air conditioning lines are not pinched between the hitch and frame rail (if applicable). Some fascia trimming may be required, see diagram.  <p><b>Fascia trim diagram</b></p>
3	Mount hitch using existing M10 and M12 bolts. You may need a punch or screwdriver to align the holes.
4	Torque all M10 fasteners to 48 lb-ft and all M12 fasteners to 86 lb-ft.
5	Raise the muffler back into position and reinstall any other exhaust hardware removed in Step 1. <b>Note:</b> Rotating the exhaust hanger bracket before tightening will add clearance between the side bracket and the exhaust.

The instruction here is for your reference only. We strongly recommend the professional installer for best result. We are not responsible for any damage caused by the installation. Thank you for choosing our product!