



Hitch Installation Instruction

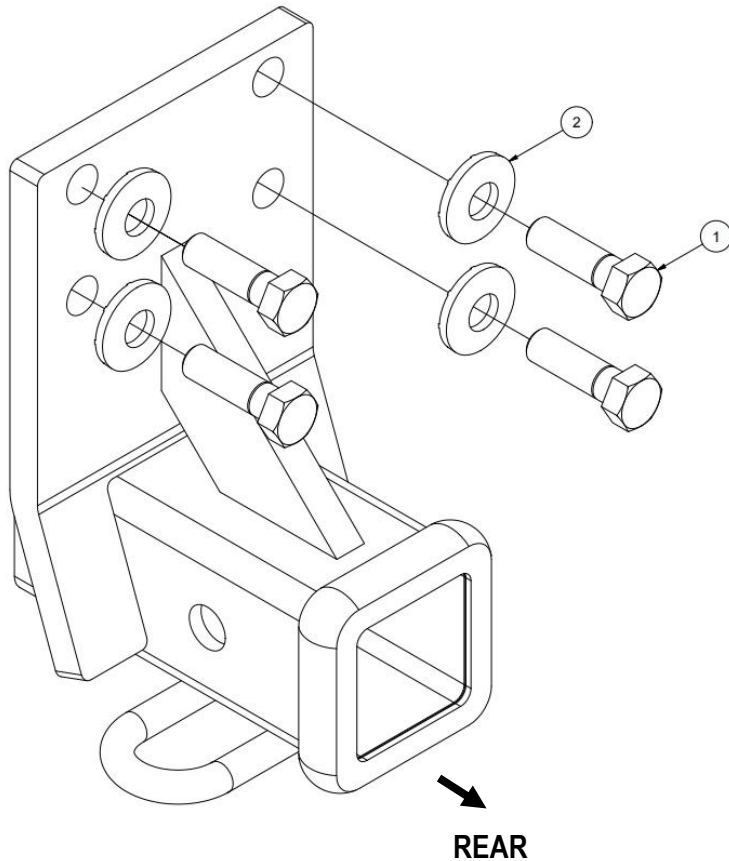
REV.20240401

Part#	HT-R36658	Application	For 1992-2000 Mitsubishi Montero 2 or 4-Door, Except Sport					
-------	-----------	-------------	--	--	--	--	--	--

Hardware List	Item	Part Name	QTY	Description	Item	Part Name	QTY	Description
	1	Hex Bolts	4	M12X1.25-40	2	Conical Washers	4	M12

Gross Load Capacity When Used As A Weight Carrying Hitch: 4000 LBS. Trailer Weight & 400 LBS. Tongue Weight.
*****DO NOT EXCEED VEHICLE MANUFACTURER'S RECOMMENDED TOWING CAPACITY.*****

* No Trimming Required
 * No Drilling Required



Step	Description
1	Remove plate located in vehicle bumper.
2	Raise hitch assembly into position and fasten with (4) M12 Hex Bolts and M12 Conical Washers.
3	Torque all M12 fasteners to 86 ft-lbs.

*****Periodically Check The Receiver Hitch To Ensure That All Fasteners ***
 Are Tight & All Structural Components Are Sound.**

The instruction here is for your reference only. We strongly recommend the professional installer for best result. We are not responsible for any damage caused by the installation. Thank you for choosing our product!