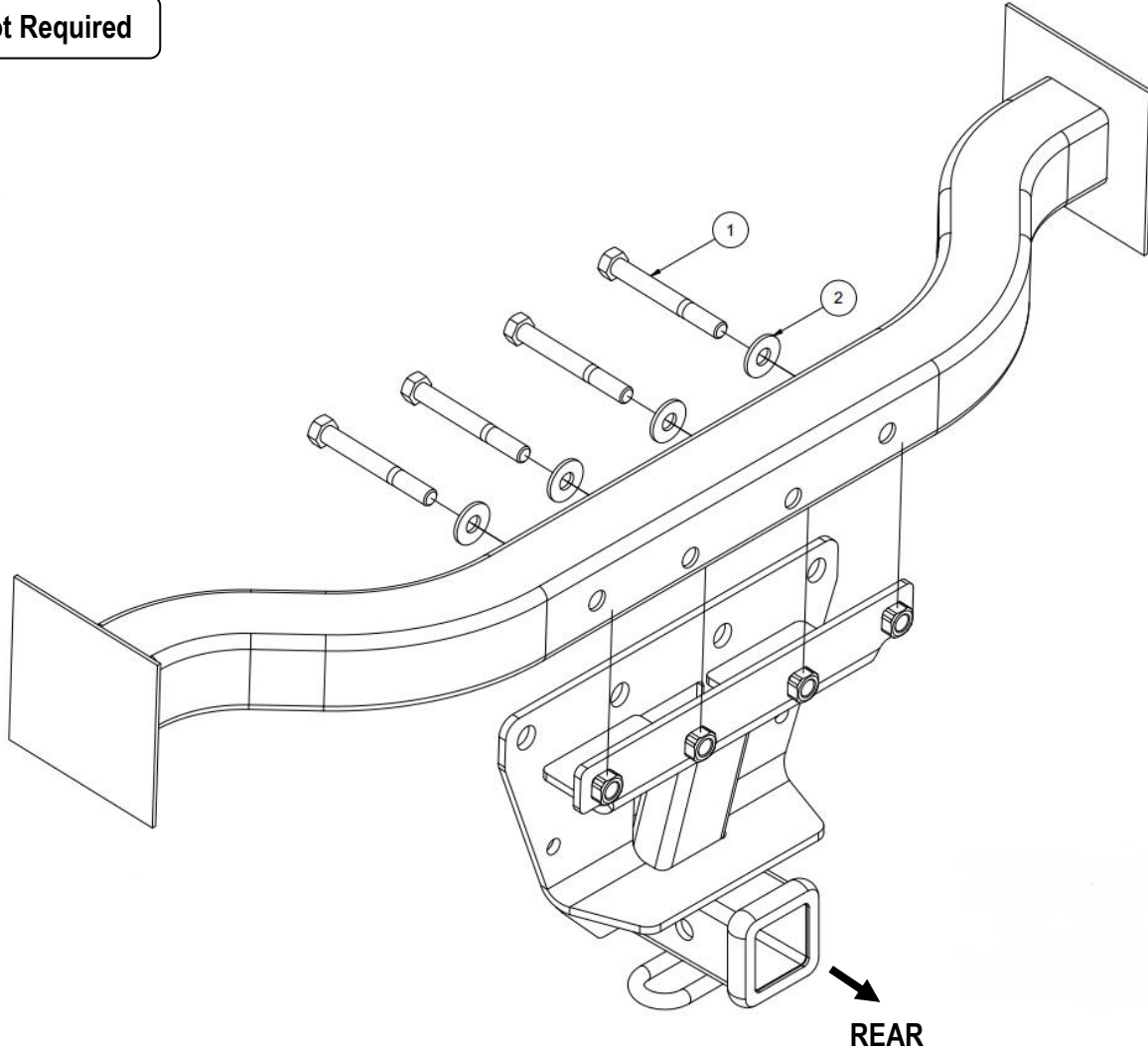


Part#	HT-R36258	Application	For 2005-2010 Jeep Grand Cherokee NOT FOR SRT8
--------------	-----------	--------------------	--

Hardware List	Item	Part Name	QTY	Description	Item	Part Name	QTY	Description
	1#	Hex bolts	4	M12X1.75-110	2#	Conical Washer	4	

Gross Load Capacity When Used As A Weight Carrying Hitch:5000 LBS. Trailer Weight & 500 LBS. Tongue Weight.
 Gross Load Capacity When Used As A Weight Distribution Hitch:5500 LBS. Trailer Weight & 550 LBS. Tongue Weight.
*****DO NOT EXCEED VEHICLE MANUFACTURER’S RECOMMENDED TOWING CAPACITY.*****

Drill Not Required



Step	Description
1	Lower spare tire to allow access to the rear bumper support.
2	Remove tow hook (if present).
3	Remove (4) large and (2) small plastic push fasteners from bumper fascia tabs. (Reuse later)
4	Pull bumper cover away from vehicle and raise hitch into position. Secure hitch with hex bolts and conical washers through existing holes in bumper support.
5	Torque all M12 Fasteners to 86 lb-ft.
6	Raise spare tire back into position.

The instruction here is for your reference only. We strongly recommend the professional installer for best result. We are not responsible for any damage caused by the installation. Thank you for choosing our product!