



# Hitch Installation Instruction

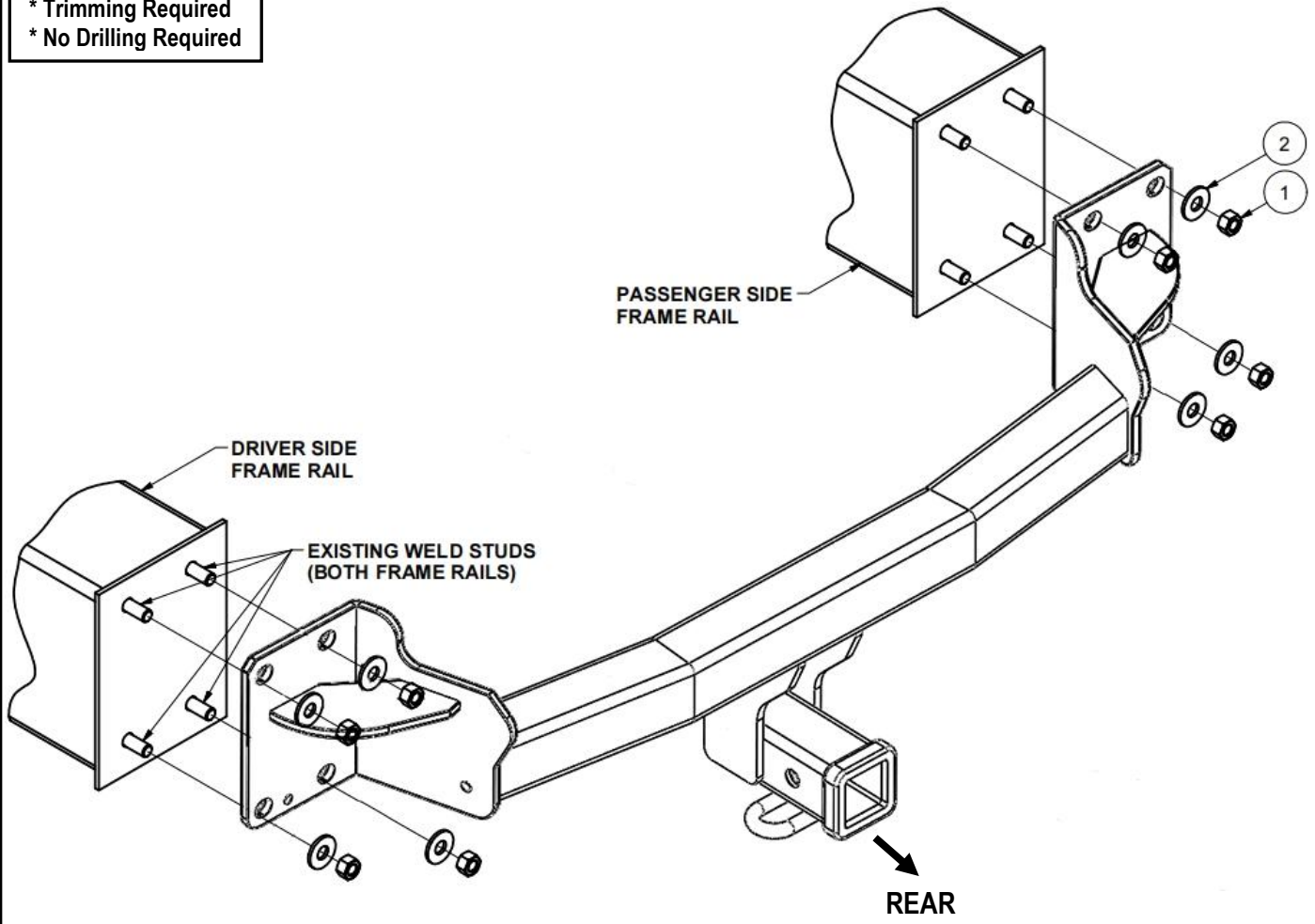
REV.20240301

Part#	HT-R35940	Application	For 2007-2018 BMW X5\2014-2019 BMW X6					
-------	-----------	-------------	---------------------------------------	--	--	--	--	--

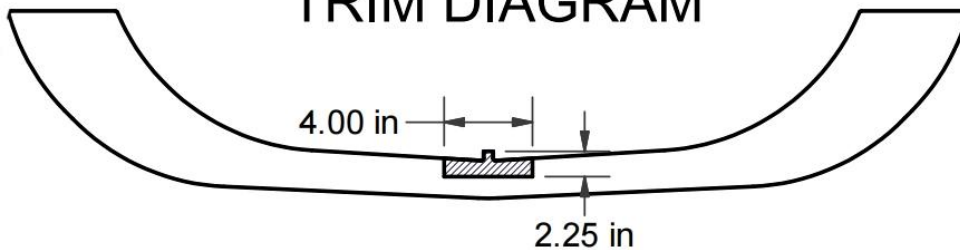
Hardware List	Item	Part Name	QTY	Description	Item	Part Name	QTY	Description
	1	Hex Nuts	8	M12X1.5	2	Conical Washers	8	M12

Gross Load Capacity When Used As A Weight Carrying Hitch: 6000 LBS. Trailer Weight & 600 LBS. Tongue Weight.  
 Gross Load Capacity When Used As A Weight Distribution Hitch: 6000 LBS. Trailer Weight & 600 LBS. Tongue Weight  
**\*\*\*DO NOT EXCEED VEHICLE MANUFACTURER'S RECOMMENDED TOWING CAPACITY.\*\*\***

\* Trimming Required  
 \* No Drilling Required











## TRIM DIAGRAM



The instruction here is for your reference only. We strongly recommend the professional installer for best result. We are not responsible for any damage caused by the installation. Thank you for choosing our product!



# Hitch Installation Instruction

Part#	HT-R35940	Application	For 2007-2018 BMW X5\2014-2019 BMW X6
Step	Description		
1	To remove rear lower bumper fascia, remove (2) plastic rivets from wheel well opening on each side, put rivets aside for later use. Gently pull back wheel well cover and remove (1) exposed fastener using 8mm socket on each side.		
			
2	Gently unclip (1) reflector on each side of rear fascia to access and remove (1) fastener on each side using 8mm socket.		
			
3	Remove (6) screws located on bottom of bumper fascia, if present unplug electrical harness. NOTE: On 2011-PRESENT models remove tail lights by removing access panel located in trunk of vehicle and remove (2) nuts on each side using 8mm socket, unplug electrical harness. Set aside for reinstallation.		
			
4	Gently remove bumper fascia by releasing press in tabs along top portion of bumper fascia. To remove bumper beam remove (4) nuts on each side using 18mm socket. Once removed return bumper beam to owner. NOTE: Lowering tailgate to 45 degree angle allows access to upper mounting nuts.		
			

The instruction here is for your reference only. We strongly recommend the professional installer for best result. We are not responsible for any damage caused by the installation. Thank you for choosing our product!



# Hitch Installation Instruction

Part#	HT-R35940	Application	For 2007-2018 BMW X5\2014-2019 BMW X6
-------	-----------	-------------	---------------------------------------

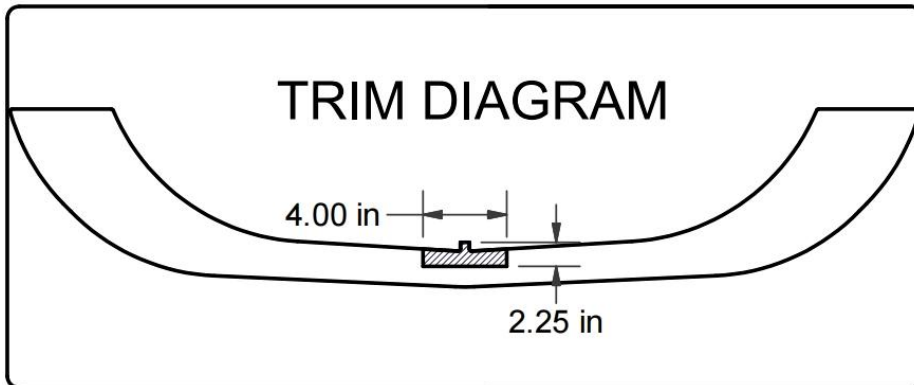
5 Raise hitch into position aligned with vehicle studs and secure using supplied M12 hardware.



6 Torque all M12 hardware to 86 ft-lbs.



7 If required, trim bumper fascia as shown in trim diagram using aviation shears.  
NOTE: All dimensions are approximate, confirm fit prior to trim.



8 Reinstall bumper fascia onto vehicle using rivets.  
NOTE: OEM tow hooks can no longer be used at rear of vehicle.



The instruction here is for your reference only. We strongly recommend the professional installer for best result. We are not responsible for any damage caused by the installation. Thank you for choosing our product!