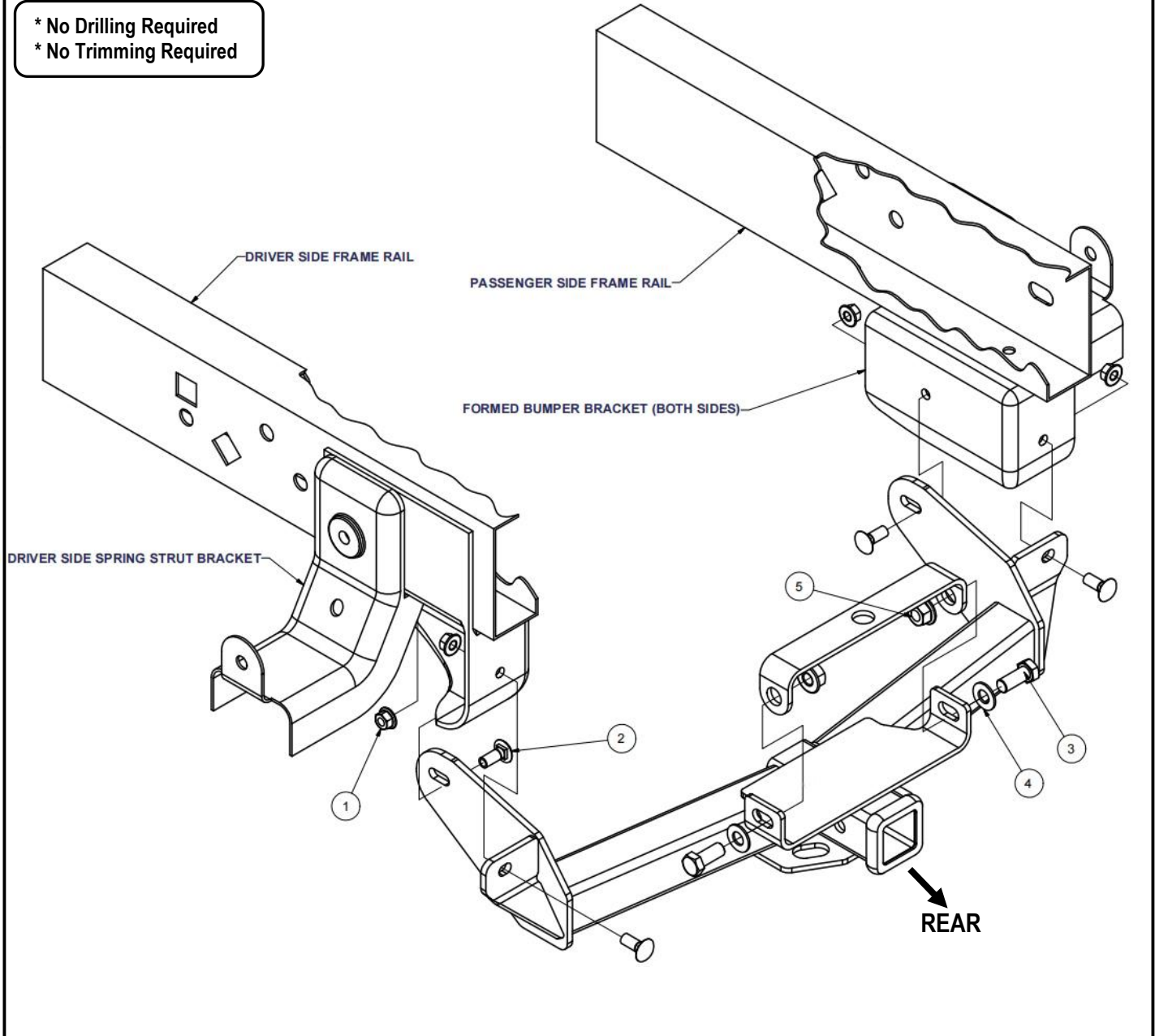


Part#	HT-R35565	Application	For 2006-2008 Ford F-150 (Except with Factory Equipped Hitch or Built After August 5, 2005) 2006-2008 Lincoln Mark LT					
-------	-----------	-------------	---	--	--	--	--	--

Hardware List	Item	Part Name	QTY	Description	Item	Part Name	QTY	Description
	1	Hex Flange Nuts	4	M12X1.75	4	Washers	2	M16
	2	Carriage Bolts	4	M12X1.75-35	5	Hex Flange Nuts	2	M16X2
	3	Hex Bolts	2	M16X2-40				

Gross Load Capacity When Used As A Weight Carrying Hitch: 6000 LBS. Trailer Weight & 600 LBS. Tongue Weight.
 Gross Load Capacity When Used As A Weight Distribution Hitch: 10000 LBS. Trailer Weight & 1000 LBS. Tongue Weight.
*****DO NOT EXCEED VEHICLE MANUFACTURER'S RECOMMENDED TOWING CAPACITY.*****

* No Drilling Required
 * No Trimming Required



The instruction here is for your reference only. We strongly recommend the professional installer for best result. We are not responsible for any damage caused by the installation. Thank you for choosing our product!

Part#	HT-R35565	Application	For 2006-2008 Ford F-150 (Except with Factory Equipped Hitch or Built After August 5, 2005) 2006-2008 Lincoln Mark LT
-------	-----------	-------------	---

Step	Description
1	NOTE: If necessary, loosen (4) bumper bolts for improved hitch alignment.
2	Raise hitch into position between frame rails.
3	Install M16 fasteners into bumper with loops as shown.
4	Install remaining M12 fasteners as shown into each bumper bracket.
5	Torque all M16 fasteners to 210 lb-ft and all M12 fasteners to 86 lb-ft.
***Periodically Check The Receiver Hitch To Ensure That All Fasteners *** Are Tight & All Structural Components Are Sound.	

The instruction here is for your reference only. We strongly recommend the professional installer for best result. We are not responsible for any damage caused by the installation. Thank you for choosing our product!