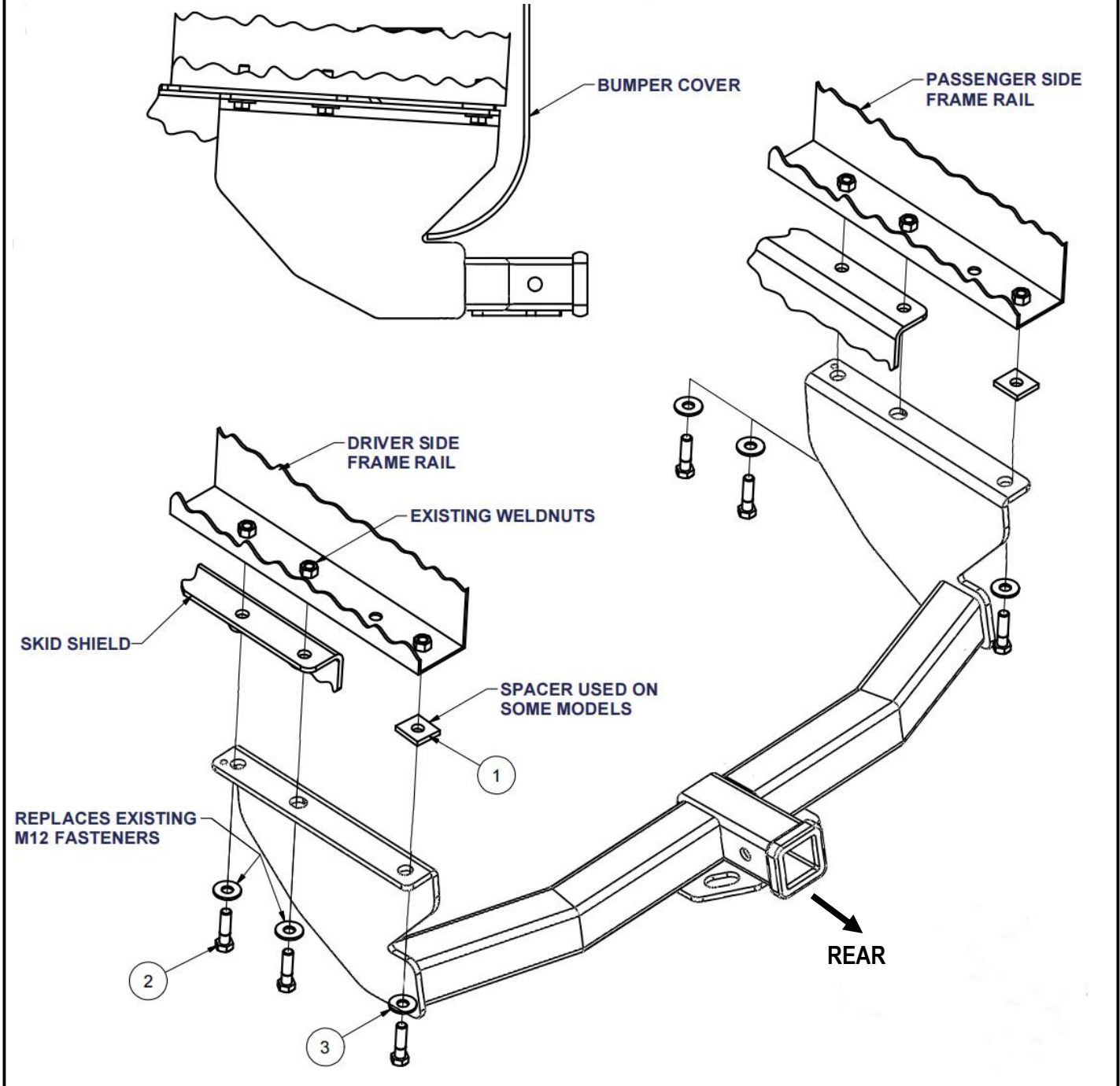


Part#	HT-R35258	Application	For 1999-2004 Jeep Grand Cherokee (Including Laredo and with Skid Shield)					
-------	-----------	-------------	---	--	--	--	--	--

Hardware List	Item	Part Name	QTY	Description	Item	Part Name	QTY	Description
	1	Spacers	2	With Round Hole	3	Conical Washers	6	M12
	2	Hex Bolts	6	M12X1.75-45				


Gross Load Capacity When Used As A Weight Carrying Hitch: 5000 LBS. Trailer Weight & 500 LBS. Tongue Weight.
 Gross Load Capacity When Used As A Weight Distribution Hitch: 6000 LBS. Trailer Weight & 600 LBS. Tongue Weight.
*****DO NOT EXCEED VEHICLE MANUFACTURER'S RECOMMENDED TOWING CAPACITY.*****


* No Drilling Required
 * No Trimming Required



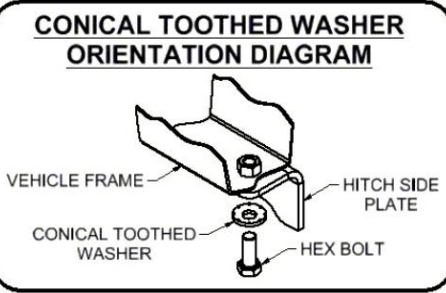
The instruction here is for your reference only. We strongly recommend the professional installer for best result. We are not responsible for any damage caused by the installation. Thank you for choosing our product!

Part#	HT-R35258	Application	For 1999-2004 Jeep Grand Cherokee (Including Laredo and with Skid Shield)
-------	-----------	-------------	---





CONICAL TOOTHED WASHER ORIENTATION DIAGRAM



VEHICLE FRAME — HITCH SIDE PLATE
 CONICAL TOOTHED WASHER — HEX BOLT

Step	Description
1	Remove tow hook if present. Remove the four rearmost M12 fasteners from the vehicle frame leaving the skid shield in place.
2	Raise hitch into position and loosely reinstall the four M12 Fasteners that were removed in step 2.
3	Place spacers between the frame and hitch before installing the supplied M12 hex bolts and conical washers as shown. Spacers are not required on vehicles equipped with skid shield supports. Remove the support bolts to install hitch.
4	With spacers or support bars between hitch and frame Torque all Fasteners to 79 lb.-ft.

*****Periodically Check The Receiver Hitch To Ensure That All Fasteners ***
Are Tight & All Structural Components Are Sound.**

The instruction here is for your reference only. We strongly recommend the professional installer for best result. We are not responsible for any damage caused by the installation. Thank you for choosing our product!