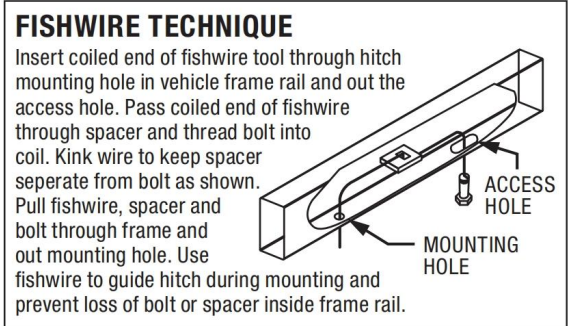
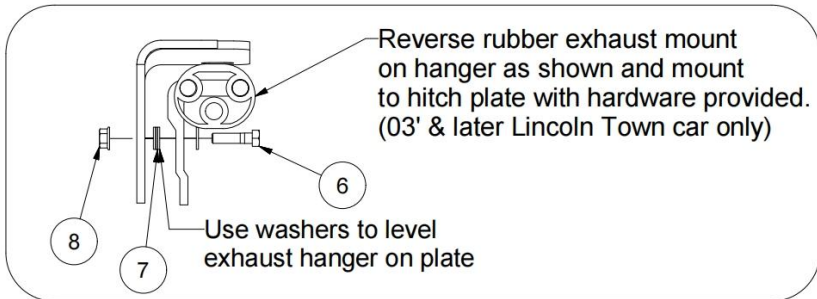
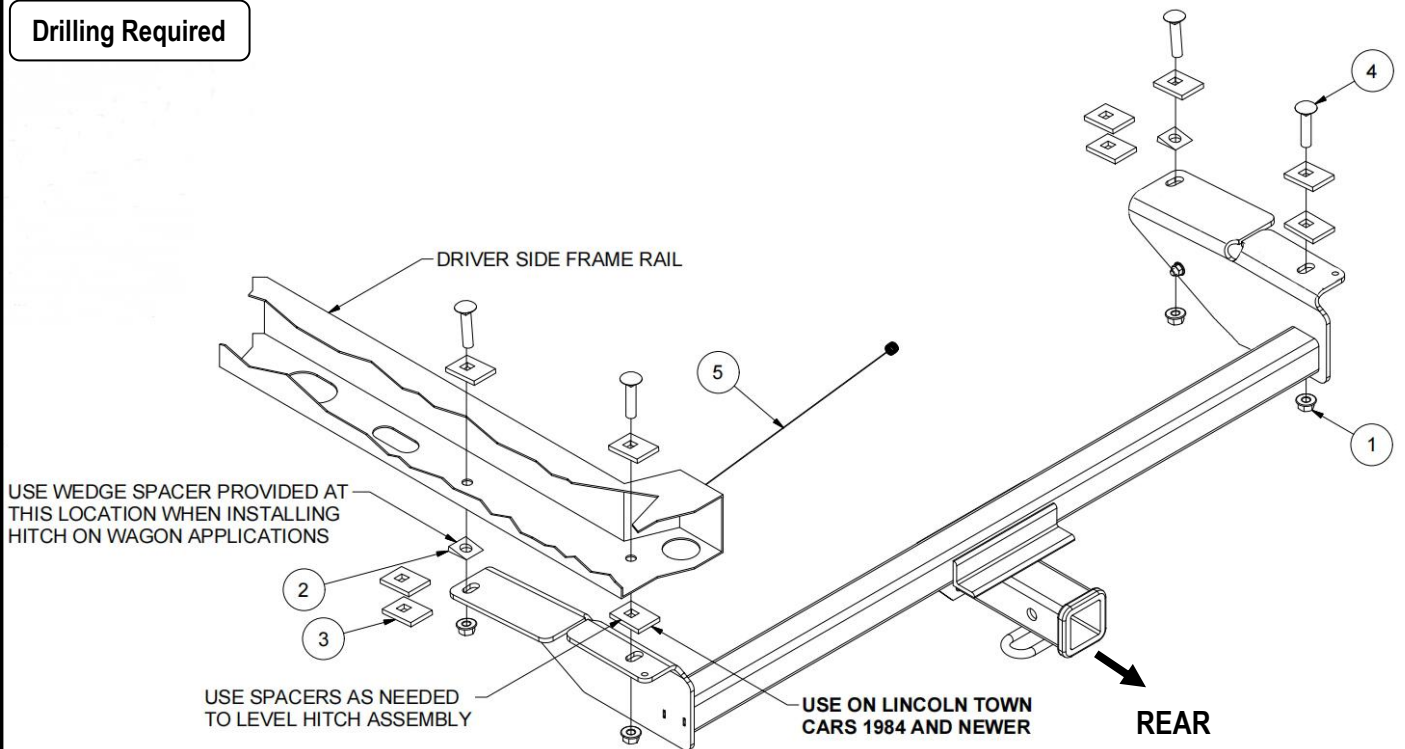


Part#	HT-R34410	Application	For 1981-2011 Lincoln Town Car \1980-1983 Lincoln Mark VII\2003-2004 Mercury Marauder\ 1979-2009 Mercury Grand Marquis\1987-1991 Ford Country Squire \1992-2011 Ford Crown Victoria
--------------	-----------	--------------------	---

Hardware List	Item	Part Name	QTY	Description	Item	Part Name	QTY	Description
	1#	Hex Flange Nuts	4	M12X1.75	5#	Fishwire	1	
	2#	Wedge Spacers	2	M12	6#	Hex Bolt	1	M8X1.25-35
	3#	Spacers	8	With SQ hole	7#	Washers	4	M8
	4#	Carriage Bolts	4	M12X1.75-60	8#	Hex Flange Nut	1	M8X1.25

Gross Load Capacity When Used As A Weight Carrying Hitch:4000 LBS. Trailer Weight & 400 LBS. Tongue Weight.
 Gross Load Capacity When Used As A Weight Distribution Hitch:6000 LBS. Trailer Weight & 600 LBS. Tongue Weight.
*****DO NOT EXCEED VEHICLE MANUFACTURER’S RECOMMENDED TOWING CAPACITY.*****

Drilling Required



The instruction here is for your reference only. We strongly recommend the professional installer for best result. We are not responsible for any damage caused by the installation. Thank you for choosing our product!

Part#	HT-R34410	Application	For 1981-2011 Lincoln Town Car \1980-1983 Lincoln Mark VI\2003-2004 Mercury Marauder\ 1979-2009 Mercury Grand Marquis\1987-1991 Ford Country Squire \1992-2011 Ford Crown Victoria
--------------	-----------	--------------------	--

Step	Description
1	Notes:1995,2003 & later Lincoln Town car external dress panel beneath vehicle must be removed for hitch installation. 2003 & later Lincoln Town car requires the relocation of passenger side exhaust hanger bracket. The exhaust hanger bracket must be removed from the vehicle frame and rubber mount. With parts separated rotate bumper hanger and reattach to hanger bracket as shown. Attach hanger assembly to hitch mounting plate and exhaust after completing hitch installation.
2	Remove all but a thin film of undercoating from the frame at the hitch mounting location. The attaching surfaces must be free of weld spatter and other objects that could prevent the hitch from being mounted flat to the frame.
3	Raise hitch into position on frame rails making sure that it is centered on the vehicle. The hitch should be positioned so that the mounting plates are approximately 1" from the end of the frame. Using the hitch as a template drill four holes in the frame. The holes required near the bumper should be drilled as close to the center of the vehicle as possible.
4	Fishwire carriage bolts and blocks into mounting locations.
5	Install spacers between vehicle frame and hitch as needed to level hitch assembly. Wagon applications will require the use of provided wedge block spacer. 1984 and later Lincoln Town car requires the use of two spacer blocks at mounting locations near the bumper and one spacer block at the forward mounting locations.
6	With proper spacers placed between hitch and frame attach flange nuts to all mounting bolts.
7	If required attach exhaust hanger bracket to passenger side mounting plate using hardware provided. Use washers as needed to level exhaust hanger on mounting plate.
8	Torque all M12 hardware to 86 lb-ft.

The instruction here is for your reference only. We strongly recommend the professional installer for best result. We are not responsible for any damage caused by the installation. Thank you for choosing our product!