



# Hitch Installation Instruction

REV.20240401

Part#	HT-R34400	Application	For 2006-2014 Kia Sedona \ 2007-2010 Hyundai Entourage
-------	-----------	-------------	--

Hardware List	Item	Part Name	QTY	Description	Item	Part Name	QTY	Description
	1	Hex Bolts	6	M12X1.25-35	2	Conical Washers	6	M12

Gross Load Capacity When Used As A Weight Carrying Hitch: 3500 LBS. Trailer Weight & 350 LBS. Tongue Weight.  
 Gross Load Capacity When Used As A Weight Distribution Hitch: 4000 LBS. Trailer Weight & 400 LBS. Tongue Weight.  
**\*\*\*DO NOT EXCEED VEHICLE MANUFACTURER'S RECOMMENDED TOWING CAPACITY.\*\*\***

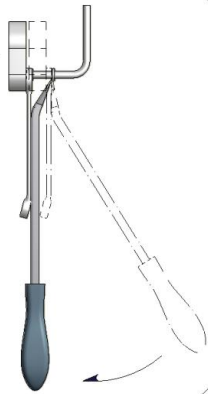
- \* No Trimming Required
- \* No Drilling Required

### RUBBER ISOLATOR REMOVAL DIAGRAM

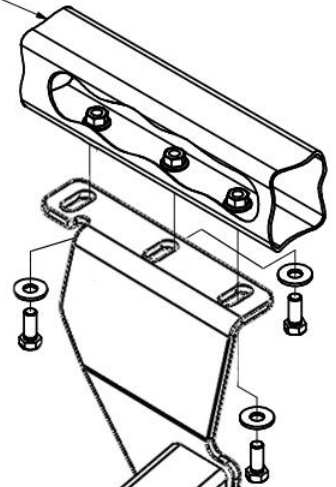
This technique can be used if an Exhaust Hanger Removal Pliers is not available.

Using a 5/8" open end wrench, slide the wrench up to the rubber isolator, cradling the hanger rod as shown. Next place the flat edge of a pry bar between the wrench and the hanger stop or hanger rod. Then simply rotate the pry bar toward the wrench to remove the rubber isolator.

Note: Using a spray lubricant or soapy water on the hanger rod and the rubber isolator helps removal.

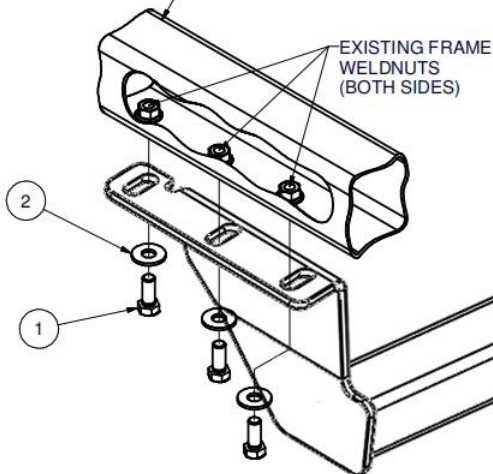


PASSENGER SIDE FRAME RAIL



DRIVER SIDE FRAME RAIL

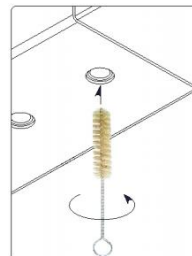
EXISTING FRAME WELDNUTS (BOTH SIDES)



REAR

### WELDNUT CLEANING

To remove debris from weldnuts in frame, spray lubricant or compressed air into hole. For heavy debris, use a small wire brush. (Be careful not to damage threads).



The instruction here is for your reference only. We strongly recommend the professional installer for best result. We are not responsible for any damage caused by the installation. Thank you for choosing our product!



## Hitch Installation Instruction

Part#	HT-R34400	Application	For 2006-2014 Kia Sedona \ 2007-2010 Hyundai Entourage
-------	-----------	-------------	--

Step	Description
1	Remove the exhaust from it's hangers to provide access to frame fastener locations.
2	Raise hitch on the passenger side over exhaust pipe and rotate hitch into position.
3	Secure hitch by loosely installing all (6) 12mm hex bolts and (6) conical washers as shown.
4	Push hitch forward against installed bolts.
5	Torque all 12mm fasteners to 86 ft-lb.
6	Re-attach previously removed exhaust hangers.
<b>***Periodically Check The Receiver Hitch To Ensure That All Fasteners *** Are Tight &amp; All Structural Components Are Sound.</b>	

The instruction here is for your reference only. We strongly recommend the professional installer for best result.  
We are not responsible for any damage caused by the installation. Thank you for choosing our product!