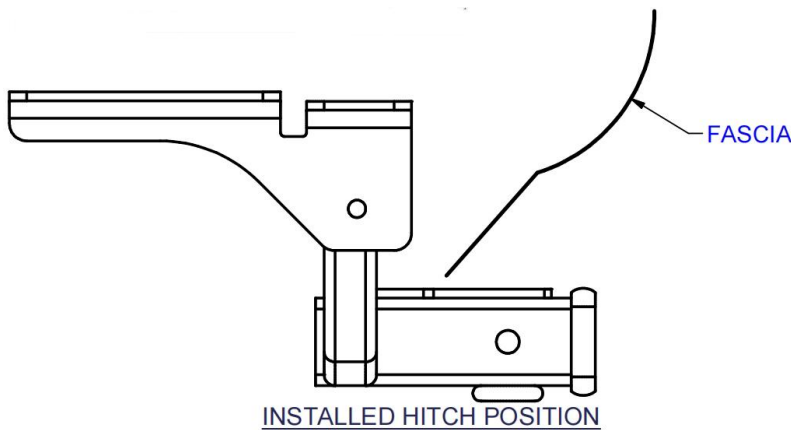
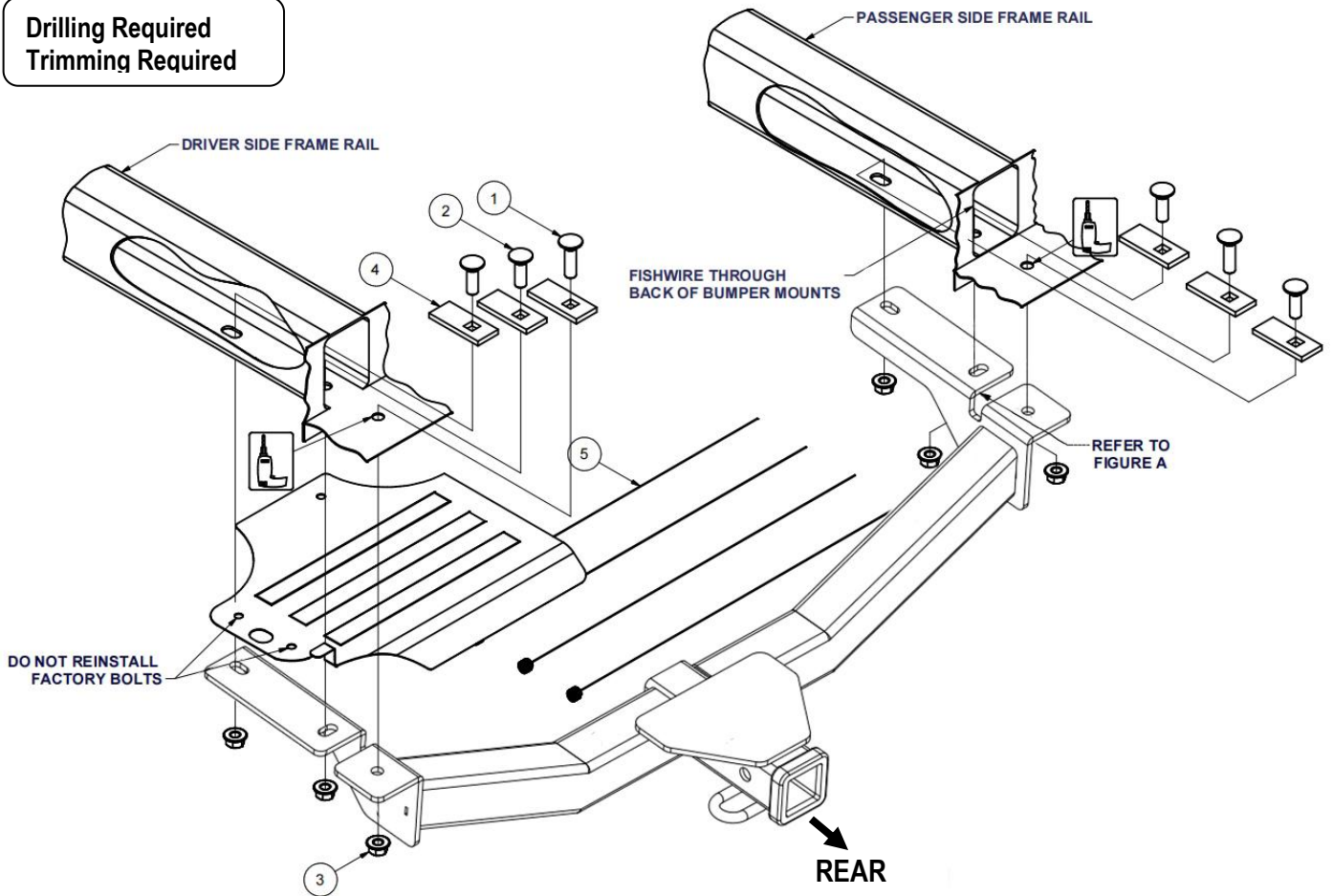


<b>Part#</b>	HT-R33050	<b>Application</b>	For 2007-2014 Ford Edge\2007-2015 Lincoln MKX					
--------------	-----------	--------------------	---	--	--	--	--	--

Hardware List	Item	Part Name	QTY	Description	Item	Part Name	QTY	Description
	1#	Carriage Bolts	2	M12X1.75-45	4#	Spacers	6	With SQ hole
	2#	Carriage Bolts	4	M12X1.75-40	5#	Fishwire	4	
	3#	Hex Flange Nuts	6	M12X1.75				

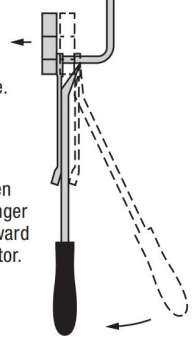
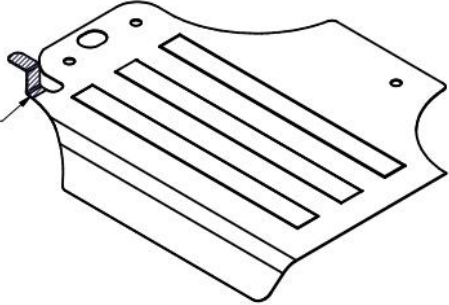
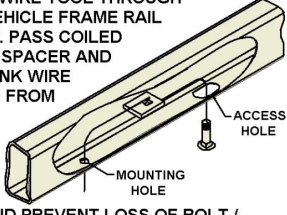
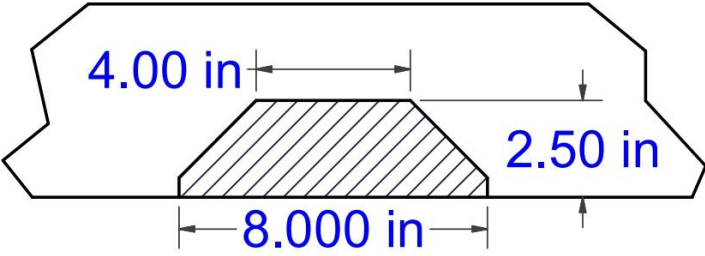
Gross Load Capacity When Used As A Weight Carrying Hitch:4000 LBS. Trailer Weight & 400 LBS. Tongue Weight.  
**\*\*\*DO NOT EXCEED VEHICLE MANUFACTURER’S RECOMMENDED TOWING CAPACITY.\*\*\***

**Drilling Required**  
**Trimming Required**



**SIDE PLATE WILL STRADDLE THE SEAM BETWEEN THE FRAME RAIL AND THE BUMPER BEAM**

The instruction here is for your reference only. We strongly recommend the professional installer for best result. We are not responsible for any damage caused by the installation. Thank you for choosing our product!

Part#	HT-R33050	Application	For 2007-2014 Ford Edge\2007-2015 Lincoln MKX
Step	Description		
1	<p>Lower exhaust by removing the rear (3) exhaust hangers. It may be required to use some wire to hold the exhaust up high enough to prevent damage to the exhaust. (See RUBBER ISOLATOR REMOVAL DIAGRAM)</p> <div data-bbox="571 369 1072 721" style="border: 1px solid black; padding: 5px;"> <p><b>RUBBER ISOLATOR REMOVAL DIAGRAM</b></p> <p>This technique can be used if exhaust hanger removal pliers are not available.</p> <p>Using a 5/8" open end wrench, slide the wrench up to the rubber isolator, cradling the hanger rod as shown.</p> <p>Place the flat edge of a pry bar between the wrench and the hanger stop or hanger rod. Then simply rotate the pry bar toward the wrench to remove the rubber isolator.</p> <p><b>Note:</b> Using a lubricant or soapy water on the hanger rod and the rubber isolator helps removal.</p>  </div>		
2	<p>Remove heat shield from both sides of vehicle by removing the (3) 6mm bolts and (1) black plastic plug. The driver side heat shield will also be connected to the rear wiring harness by a plastic plug. Once heat shield is removed trim off tab. (See HEAT SHIELD TAB REMOVAL diagram) Reattach heat shield without the screws in the frame rails. Heat shield will then be sandwiched between vehicle frame rails and hitch.</p> <div data-bbox="427 873 1216 1214" style="text-align: center;">  <p>REMOVE TAB FROM DRIVER AND PASSENGER SIDE HEAT SHIELD</p> <p>HEAT SHIELD TAB REMOVAL</p> </div>		
3	<p>Fishwire carriage bolts with spacers through rear of bumper mounts to holes in frame rails, as shown. (See FISHWIRE TECHNIQUE DIAGRAM)</p> <div data-bbox="550 1303 1098 1617" style="border: 1px solid black; padding: 5px;"> <p><b>FISHWIRE TECHNIQUE</b></p> <p>INSERT COILED END OF FISHWIRE TOOL THROUGH HITCH MOUNTING HOLE IN VEHICLE FRAME RAIL AND OUT THE ACCESS HOLE. PASS COILED END OF FISHWIRE THROUGH SPACER AND THREAD BOLT INTO COIL. KINK WIRE TO KEEP SPACER SEPARATE FROM BOLT AS SHOWN. PULL FISHWIRE, SPACER, AND BOLT THROUGH FRAME AND OUT MOUNTING HOLE. USE FISHWIRE TO GUIDE HITCH DURING MOUNTING AND PREVENT LOSS OF BOLT / SPACER INSIDE FRAME RAIL.</p> <p><small>**NOTE: SOME VEHICLES MAY FISHWIRE THROUGH END OF FRAME**</small></p>  </div>		
4	<p>Raise hitch into position and secure with flange nuts. (Note: Bumper fascia trimming is required on Edge Sport. See Trim Diagram.)</p> <div data-bbox="443 1706 1209 2020" style="text-align: center;">  <p>EDGE SPORT FACIA TRIM DIAGRAM</p> </div>		

The instruction here is for your reference only. We strongly recommend the professional installer for best result. We are not responsible for any damage caused by the installation. Thank you for choosing our product!

<b>Part#</b>	HT-R33050	<b>Application</b>	For 2007-2014 Ford Edge\2007-2015 Lincoln MKX
--------------	-----------	--------------------	---

<b>5</b>	Using the hitch as a template, drill rear holes of hitch, both sides, using a 17/32" drill bit.
<b>6</b>	Fishwire carriage bolt and spacer through back of bumper mounts and attach with flange nuts.
<b>7</b>	Torque M12 hardware to 86 lb-ft.
<b>8</b>	Reinstall exhaust removed in Step 1.

The instruction here is for your reference only. We strongly recommend the professional installer for best result. We are not responsible for any damage caused by the installation. Thank you for choosing our product!