



Hitch Installation Instruction

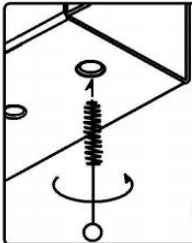
REV.20240401

Part#	HT-R33883	Application	For 2005-2010 Kia Sportage ALL/2005-2009 Hyundai Tucson ALL					
-------	-----------	-------------	---	--	--	--	--	--

Hardware List	Item	Part Name	QTY	Description	Item	Part Name	QTY	Description
	1	Hex Bolts	6	M10X1.25-30	2	Conical Washers	6	M10

Gross Load Capacity When Used As A Weight Carrying Hitch: 3500 LBS. Trailer Weight & 350 LBS. Tongue Weight.
*****DO NOT EXCEED VEHICLE MANUFACTURER'S RECOMMENDED TOWING CAPACITY.*****

- * No Trimming Required
- * No Drilling Required



WELDNUT CLEANING

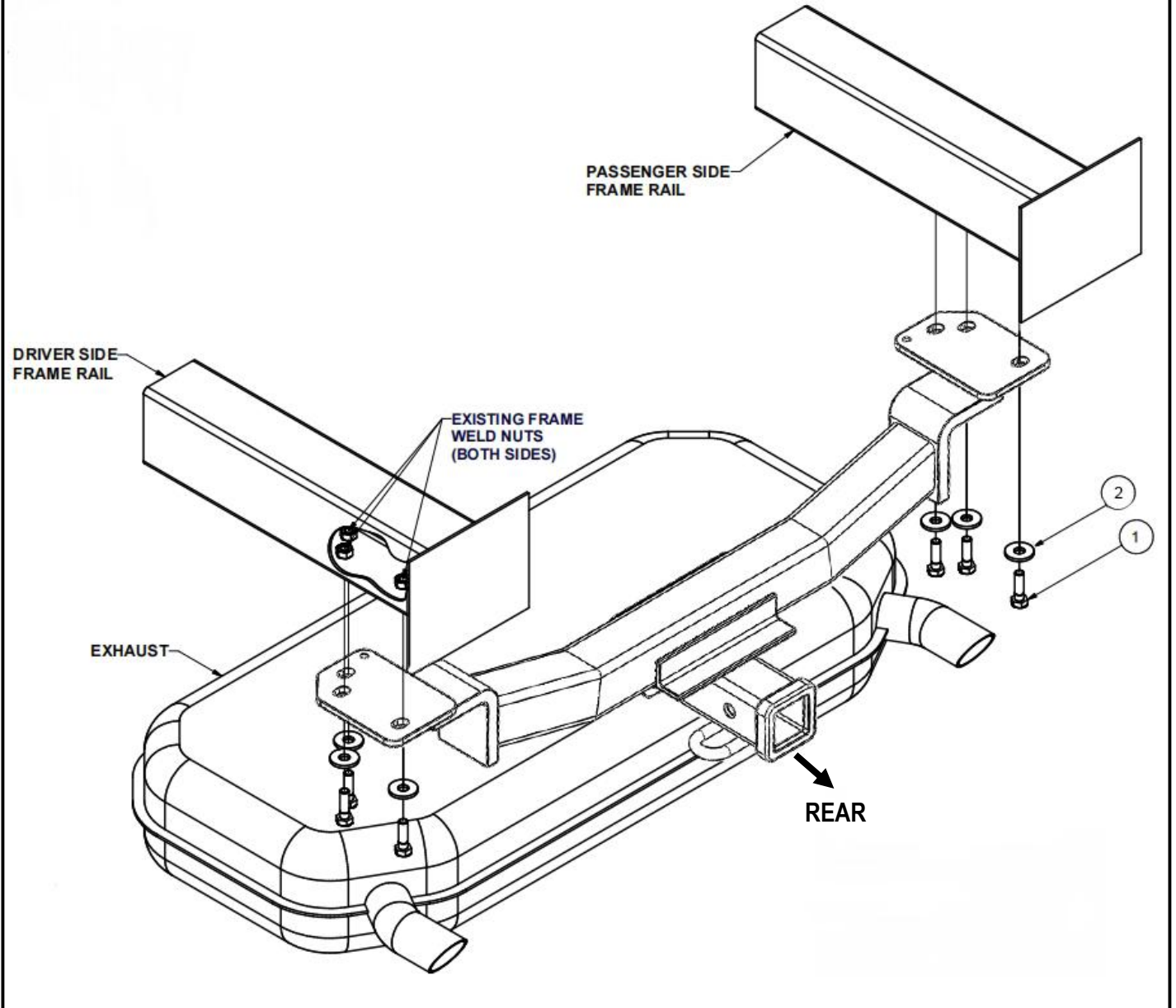
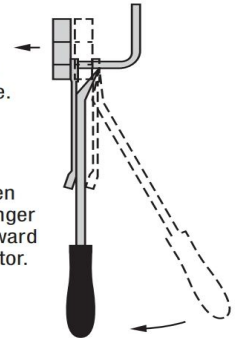
To remove debris from weldnuts in frame, spray lubricant or compressed air into hole. For heavy debris, use a small wire brush. (Be careful not to damage threads).

RUBBER ISOLATOR REMOVAL DIAGRAM

This technique can be used if exhaust hanger removal pliers are not available. Using a 5/8" open end wrench, slide the wrench up to the rubber isolator, cradling the hanger rod as shown.

Place the flat edge of a pry bar between the wrench and the hanger stop or hanger rod. Then simply rotate the pry bar toward the wrench to remove the rubber isolator.

Note: Using a lubricant or soapy water on the hanger rod and the rubber isolator helps removal.



The instruction here is for your reference only. We strongly recommend the professional installer for best result. We are not responsible for any damage caused by the installation. Thank you for choosing our product!



Hitch Installation Instruction

Part#	HT-R33883	Application	For 2005-2010 Kia Sportage ALL\2005-2009 Hyundai Tucson ALL
-------	-----------	-------------	---

Step	Description
1	Remove exhaust hangers and lower exhaust for ease of installation.
2	Remove tow hooks.
3	Raise hitch into position and secure with hex bolts and conical washers through existing weldnuts in frame rails.
4	Torque all M10 fasteners to 47 lb-ft.
5	Reinstall exhaust hangers removed in Step 1.

*****Periodically Check The Receiver Hitch To Ensure That All Fasteners ***
Are Tight & All Structural Components Are Sound.**

The instruction here is for your reference only. We strongly recommend the professional installer for best result. We are not responsible for any damage caused by the installation. Thank you for choosing our product!