

Part#	HT-R33750		Application	For 2007-2014 Toyota FJ Cruiser ALL				
Hardware List	Item	Part Name	QTY	Description	Item	Part Name	QTY	Description
	1	Carriage Bolts	2	M10X1.5-40	5	Conical Washers	2	M10
	2	Hex Bolts	4	M12X1.25-35	6	Conical Washers	4	M12
	3	Hex Bolts	2	M8X1.25-35	7	Spacers	2	With SQ Hole
	4	Hex Flange Nuts	2	M10X1.5	8	Fishwire	2	

Gross Load Capacity When Used As A Weight Carrying Hitch: 5000 LBS. Trailer Weight & 500 LBS. Tongue Weight.
 Gross Load Capacity When Used As A Weight Distribution Hitch: 6000 LBS. Trailer Weight & 600 LBS. Tongue Weight.
*****DO NOT EXCEED VEHICLE MANUFACTURER'S RECOMMENDED TOWING CAPACITY.*****

*** No Trimming Required**
*** No Drilling Required**

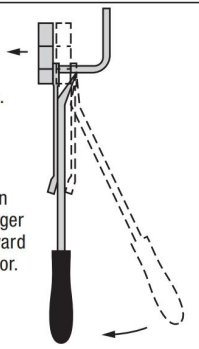
RUBBER ISOLATOR REMOVAL DIAGRAM

This technique can be used if exhaust hanger removal pliers are not available.

Using a 5/8" open end wrench, slide the wrench up to the rubber isolator, cradling the hanger rod as shown.

Place the flat edge of a pry bar between the wrench and the hanger stop or hanger rod. Then simply rotate the pry bar toward the wrench to remove the rubber isolator.

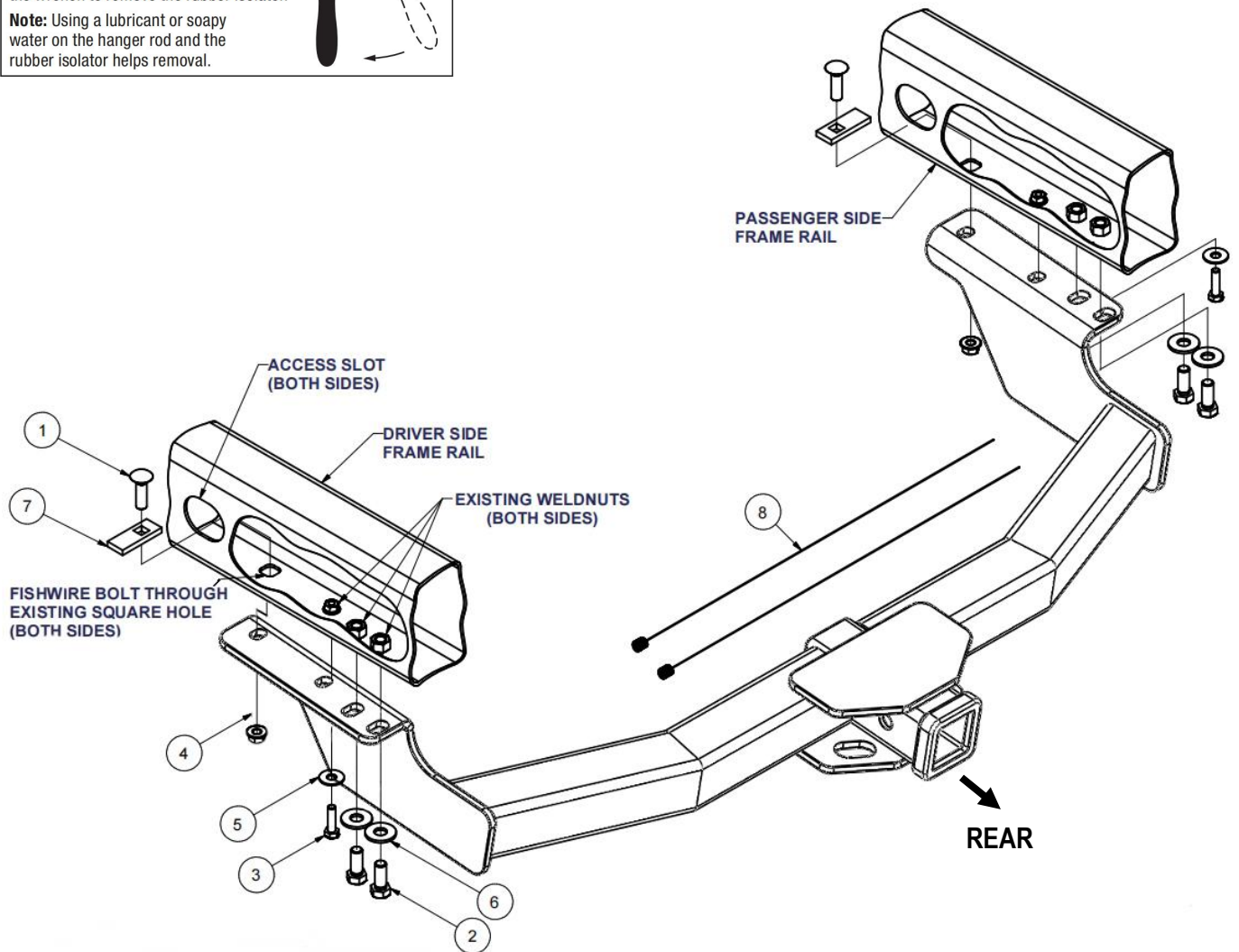
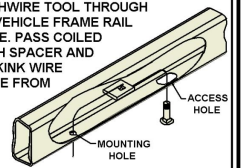
Note: Using a lubricant or soapy water on the hanger rod and the rubber isolator helps removal.



FISHWIRE TECHNIQUE

INSERT COILED END OF FISHWIRE TOOL THROUGH HITCH MOUNTING HOLE IN VEHICLE FRAME RAIL AND OUT THE ACCESS HOLE. PASS COILED END OF FISHWIRE THROUGH SPACER AND THREAD BOLT INTO COIL. KINK WIRE TO KEEP SPACER SEPARATE FROM BOLT AS SHOWN. PULL FISHWIRE, SPACER, AND BOLT THROUGH FRAME AND OUT MOUNTING HOLE. USE FISHWIRE TO GUIDE HITCH DURING MOUNTING AND PREVENT LOSS OF BOLT / SPACER INSIDE FRAME RAIL.

****NOTE: SOME VEHICLES MAY FISHWIRE THROUGH END OF FRAME****



The instruction here is for your reference only. We strongly recommend the professional installer for best result. We are not responsible for any damage caused by the installation. Thank you for choosing our product!

Part#	HT-R33750	Application	For 2007-2014 Toyota FJ Cruiser ALL
Step	Description		
1	Remove tow hook(s) if present, and return to owner.		
2	Lower exhaust, (temporarily lowering the (3) rearmost exhaust hangers will provide enough clearance for bolt installation.)		
3	Raise hitch into position, with passenger side plate above exhaust pipe. Loosely install the 12MM hex bolts into the existing weldnuts in frame rails.		
4	Fishwire the carriage bolts and square hole spacers into position using the existing access holes as shown. Install remaining M8 fasteners.		
5	Torque all M8 fasteners to 18 lb-ft, all M10 fasteners to 32 lb-ft, and all M12 fasteners to 86 lb-ft.		
6	Re-install exhaust hangers to original position.		
***Periodically Check The Receiver Hitch To Ensure That All Fasteners *** Are Tight & All Structural Components Are Sound.			

The instruction here is for your reference only. We strongly recommend the professional installer for best result. We are not responsible for any damage caused by the installation. Thank you for choosing our product!