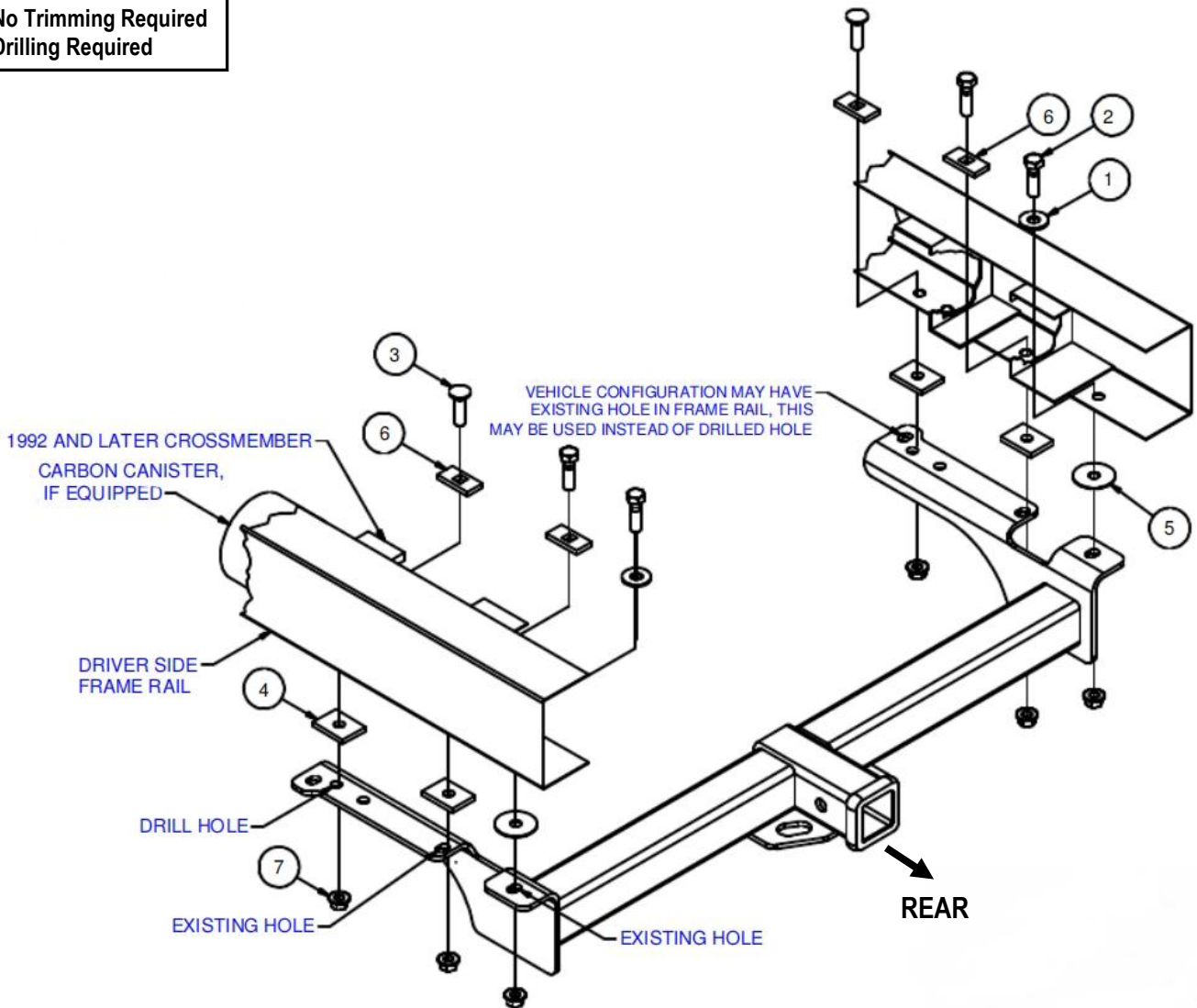


Part#	HT-R33676	Application	For 1975-1998 Ford E-150 Econoline/E-250 Econoline/E-350 Econoline 1999-2002 Ford E-150 Econoline/E-250 Econoline/ E-350 Super Duty 2003-2006 Ford E-150/E-250/ E-350 Super Duty ALL
-------	-----------	-------------	--

Hardware List	Item	Part Name	QTY	Description	Item	Part Name	QTY	Description
	1	Flat washers	8	M12	6	Spacers	4	With SQ Hole
	2	Hex Bolts	4	M12X1.75-50	7	Hex Flange Nuts	6	M12X1.75
	3	Carriage Bolts	2	M12X1.75-45	8	Wedge Spacers	4	M12
	4	Spacers	4	With Round Hole	9	Hex Bolts	2	M12X1.75-55
	5	Flat Washers	2	M14				

Gross Load Capacity When Used As A Weight Carrying Hitch: 5000 LBS. Trailer Weight & 500 LBS. Tongue Weight.
 Gross Load Capacity When Used As A Weight Distribution Hitch: 7500 LBS. Trailer Weight & 750 LBS. Tongue Weight.
*****DO NOT EXCEED VEHICLE MANUFACTURER'S RECOMMENDED TOWING CAPACITY.*****

* No Trimming Required
 * Drilling Required



The instruction here is for your reference only. We strongly recommend the professional installer for best result. We are not responsible for any damage caused by the installation. Thank you for choosing our product!

Part#	HT-R33676	Application	For 1975-1998 Ford E-150 Econoline/E-250 Econoline/E-350 Econoline 1999-2002 Ford E-150 Econoline/E-250 Econoline/ E-350 Super Duty 2003-2006 Ford E-150/E-250/ E-350 Super Duty ALL
-------	-----------	-------------	---

Step	Description
1	If present, lower carbon canister from driver's side frame rail. Also lower spare tire. NOTE: RELOCATION OF SPARE TIRE IS NOT REQUIRED. TIRE MAY BE REPOSITION FORWARD TO AVOID CONTACT WITH HITCH
2	Remove frame undercoating from attaching surfaces and disconnect factory installed optional driver's side trailer wiring connection from bumper.
3	Position hitch on vehicle by lining up existing holes and loosely install hardware as shown.
4	Using hitch as a template, drill a 1/2" hole in each frame rail and install hardware as shown.
5	Reinstall factory trailer wiring connection around hitch.
6	Raise spare tire and carbon canister. Check for clearance between differential and brake lines.
7	Tighten M12 Carriage Bolts to 58 lb.-ft. Tighten M12 Hex Bolts to 86 lb.-ft.

PRE 1992 MODELS - SEE FIGURES 3, 4, & 5

NOTE: ON SOME MODELS, TAIL PIPE AND/OR TAIL PIPE BRACKET MAY HAVE TO BE RELOCATED AND/OR MODIFIED.

1	If present, lower carbon canister in driver's side frame rail and remove frame undercoating from attaching surfaces.
2	Center hitch on vehicle and position so that the frame crossmember rivets fit into the notch in the side plates.
3	Using hitch as a template, drill three (3) holes per side through the frame with a 1/2" drill bit. Be careful not to drill into the carbon canister.
4	Tighten M12 Carriage Bolts to 58 lb.-ft. Tighten M12 Hex Bolts to 86 lb.-ft.

The instruction here is for your reference only. We strongly recommend the professional installer for best result. We are not responsible for any damage caused by the installation. Thank you for choosing our product!

Part#	HT-R33676	Application	For 1975-1998 Ford E-150 Econoline/E-250 Econoline/E-350 Econoline 1999-2002 Ford E-150 Econoline/E-250 Econoline/ E-350 Super Duty 2003-2006 Ford E-150/E-250/ E-350 Super Duty ALL
-------	-----------	-------------	--

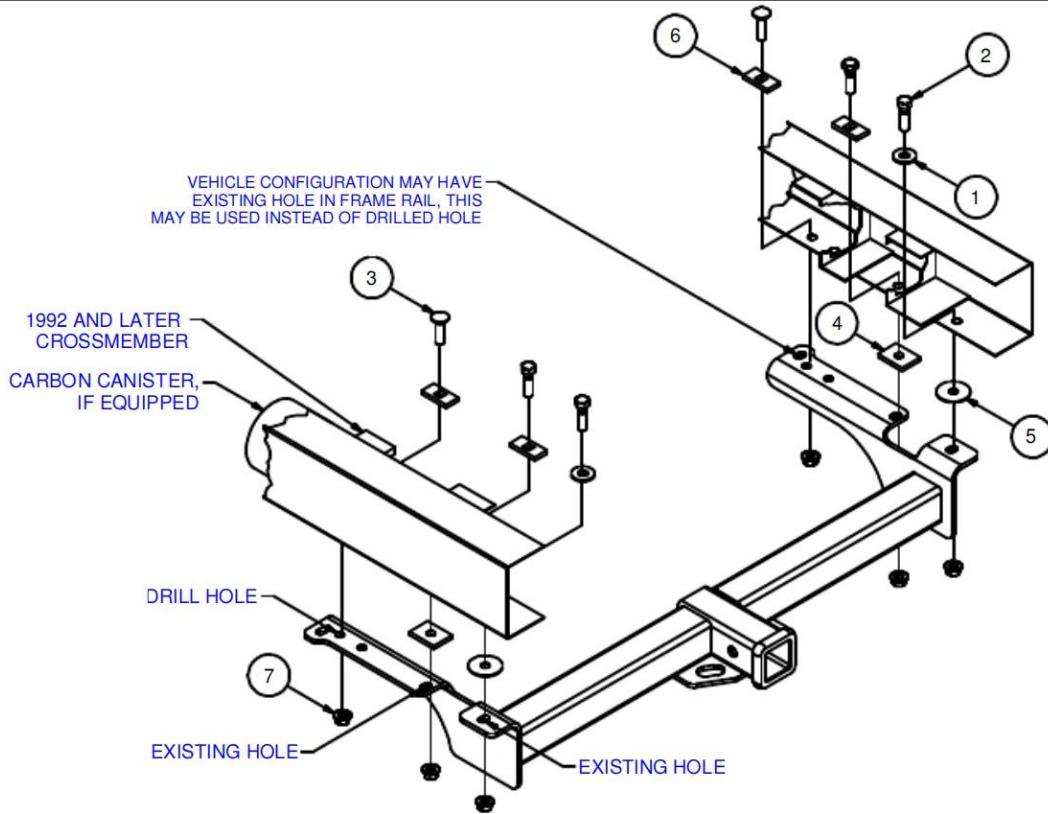


FIGURE 2 - 1992 & LATER E-350 MODELS

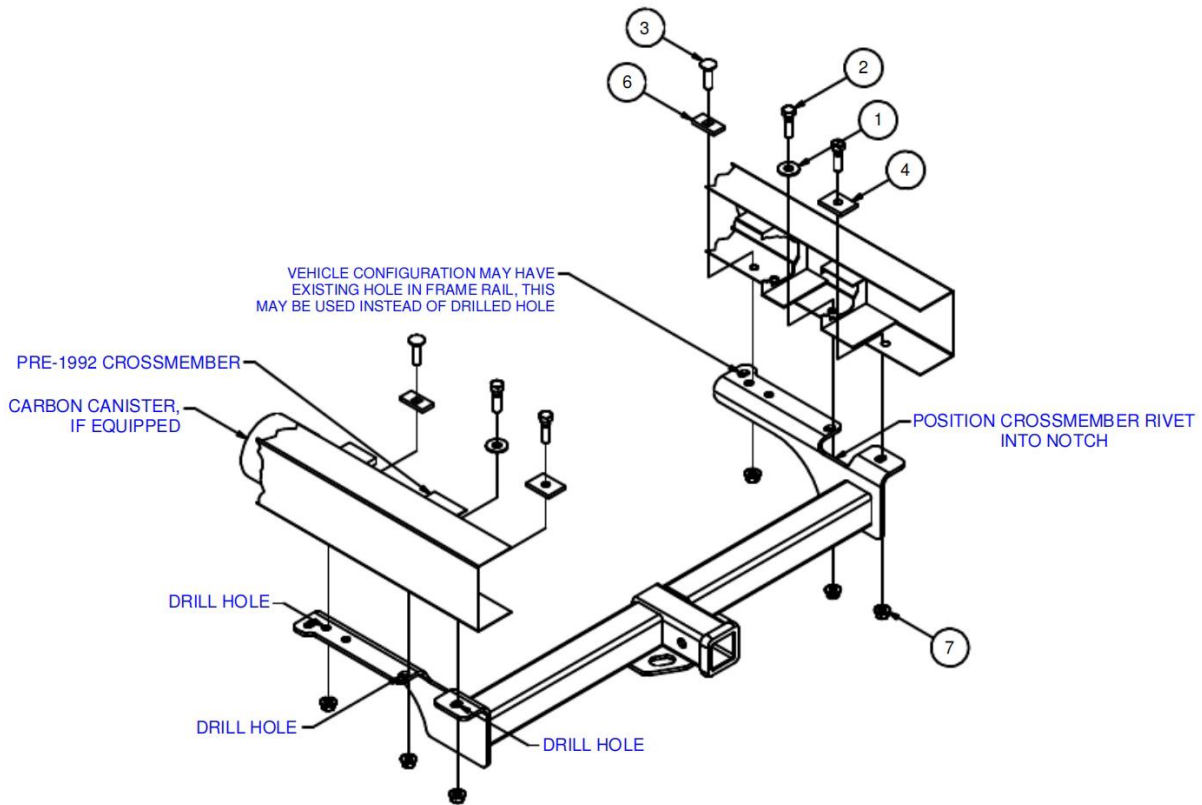


FIGURE 3 - PRE-1992 E-150 & E-250 MODELS

The instruction here is for your reference only. We strongly recommend the professional installer for best result. We are not responsible for any damage caused by the installation. Thank you for choosing our product!

Part#	HT-R33676	Application	For 1975-1998 Ford E-150 Econoline/E-250 Econoline/E-350 Econoline 1999-2002 Ford E-150 Econoline/E-250 Econoline/ E-350 Super Duty 2003-2006 Ford E-150/E-250/ E-350 Super Duty ALL
-------	-----------	-------------	--

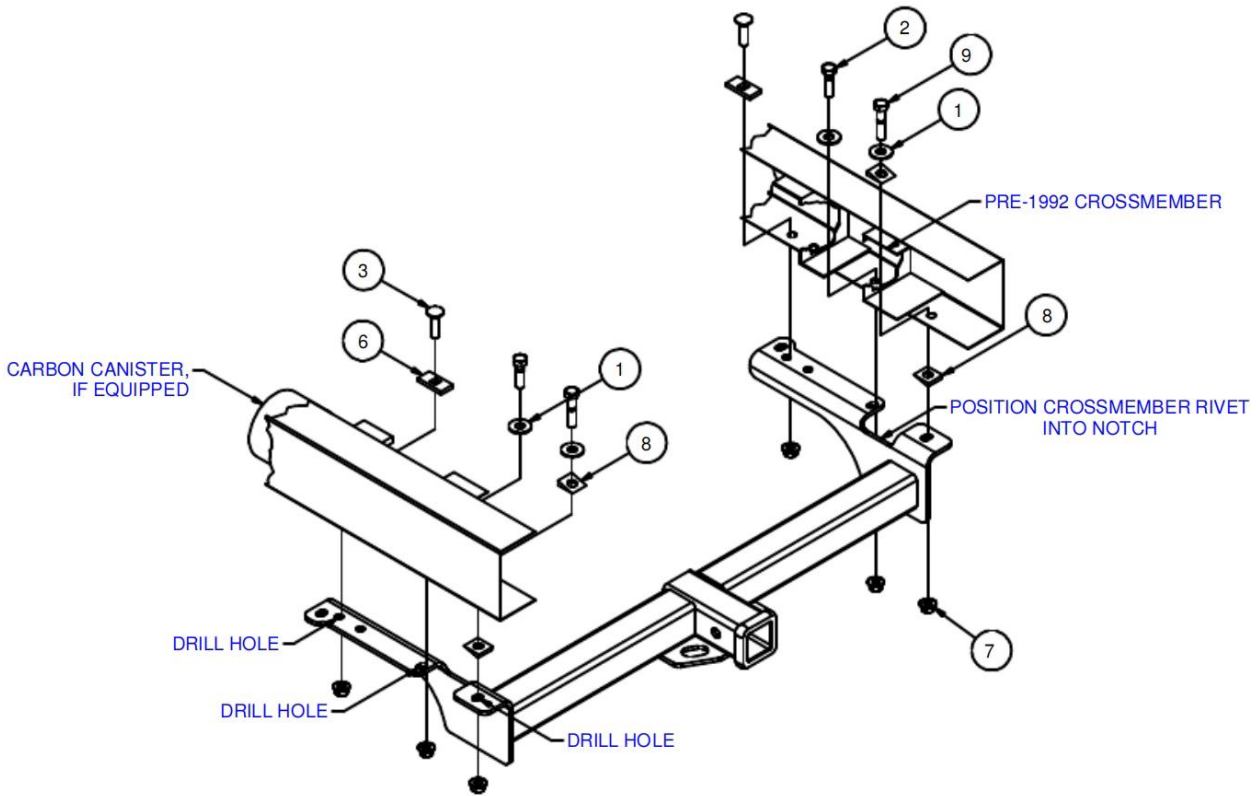


FIGURE 4 - PRE-1992 E-350 MODELS

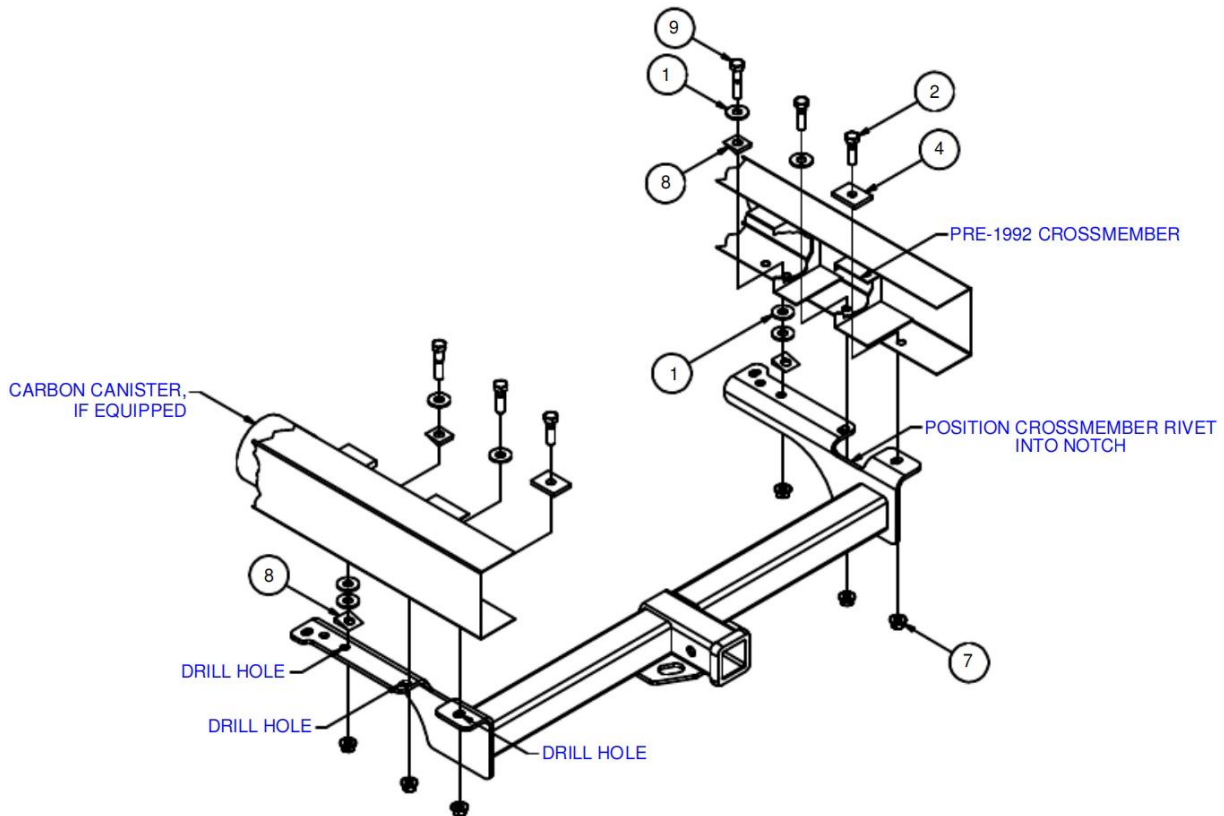


FIGURE 5 - PRE-1992 124" WHEELBASE MODELS

The instruction here is for your reference only. We strongly recommend the professional installer for best result. We are not responsible for any damage caused by the installation. Thank you for choosing our product!