

Part#	HT-R33501	Application	For 2003-2008 Honda Pilot\2001-2006 Acura MDX					
-------	-----------	-------------	---	--	--	--	--	--

Hardware List	Item	Part Name	QTY	Description	Item	Part Name	QTY	Description
	1	Hex Bolts	6	M12X1.25-40	3	Conical Washers	6	M12
	2	Hex Bolts	2	M10X1.25-30	4	Conical Washers	2	M10

Gross Load Capacity When Used As A Weight Carrying Hitch: 3500 LBS. Trailer Weight & 350 LBS. Tongue Weight.
 Gross Load Capacity When Used As A Weight Distribution Hitch: 5000 LBS. Trailer Weight & 500 LBS. Tongue Weight.
*****DO NOT EXCEED VEHICLE MANUFACTURER'S RECOMMENDED TOWING CAPACITY.*****

- * No Trimming Required
- * No Drilling Required

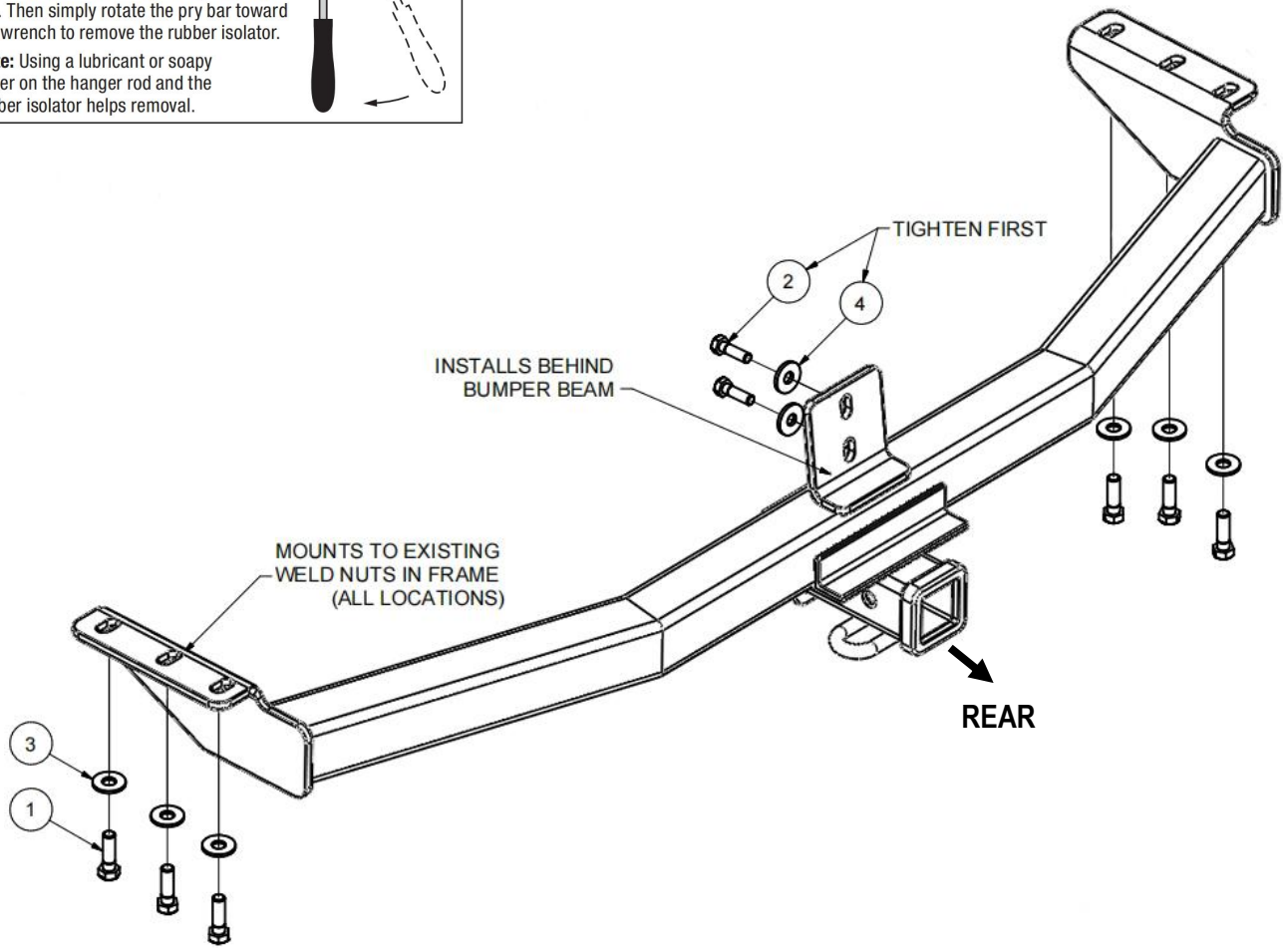
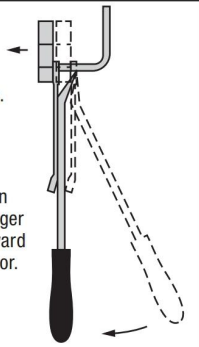
RUBBER ISOLATOR REMOVAL DIAGRAM

This technique can be used if exhaust hanger removal pliers are not available.

Using a 5/8" open end wrench, slide the wrench up to the rubber isolator, cradling the hanger rod as shown.

Place the flat edge of a pry bar between the wrench and the hanger stop or hanger rod. Then simply rotate the pry bar toward the wrench to remove the rubber isolator.

Note: Using a lubricant or soapy water on the hanger rod and the rubber isolator helps removal.



The instruction here is for your reference only. We strongly recommend the professional installer for best result. We are not responsible for any damage caused by the installation. Thank you for choosing our product!

Part#	HT-R33501	Application	For 2003-2008 Honda Pilot\2001-2006 Acura MDX
-------	-----------	-------------	---

Step	Description
1	NOTE - FOR '04 AND LATER MDX MODELS: Temporarily remove spare tire, 4 rubber exhaust isolators, and moon-shaped spoiler with center mounting bracket, remember to support exhaust. Bend center hitch bracket as needed.
2	Remove the driver side tow hook.
3	Raise hitch into position by sliding passenger side plate between the exhaust pipe and the floor pan of vehicle.
4	Secure hitch with M12 bolts and conical toothed washers, finger tight.
5	Install M10 bolts and conical toothed washers as shown, torque to 48 ft lbs.
6	Torque all M12 fasteners to 86 lb-ft.
7	Re-install spare tire and rubber exhaust isolators if removed.
***Periodically Check The Receiver Hitch To Ensure That All Fasteners *** Are Tight & All Structural Components Are Sound.	

The instruction here is for your reference only. We strongly recommend the professional installer for best result. We are not responsible for any damage caused by the installation. Thank you for choosing our product!