



# Hitch Installation Instruction

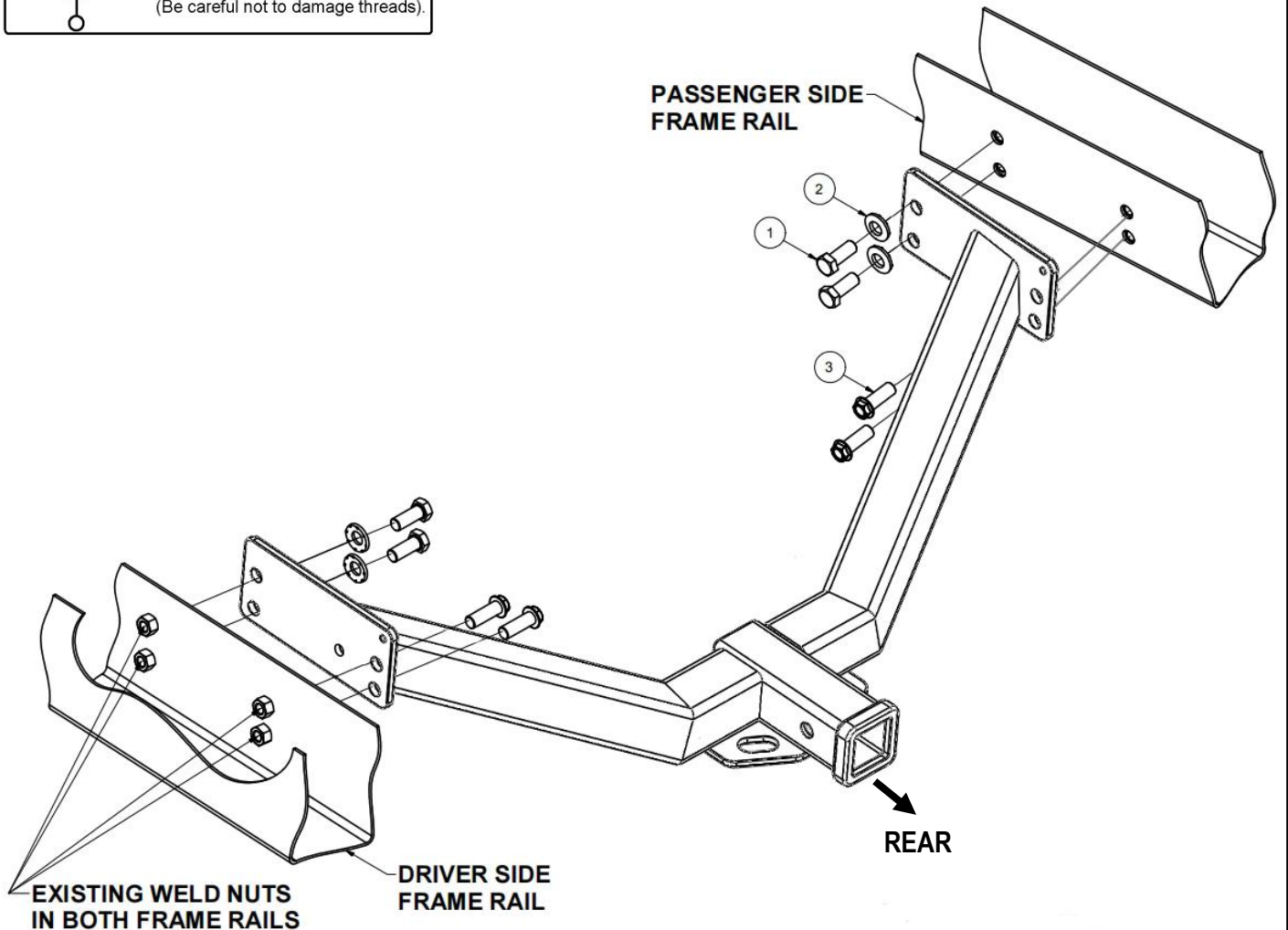
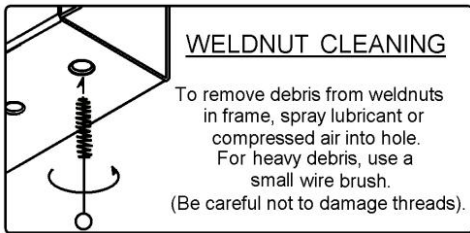
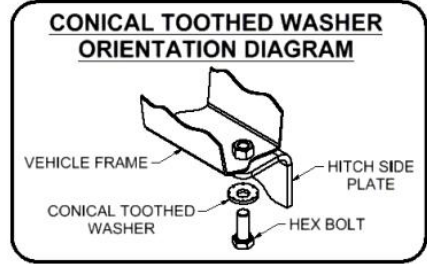
REV.20240401

Part#	HT-R32991	Application	For 2007-2013 Acura MDX Without Full Size Spare
-------	-----------	-------------	---

Hardware List	Item	Part Name	QTY	Description	Item	Part Name	QTY	Description
	1	Hex Bolts	8	M14X1.5-35	3	Flat Washers	8	M14
	2	Lock Washers	8	M14				

Gross Load Capacity When Used As A Weight Carrying Hitch: 4000 LBS. Trailer Weight & 400 LBS. Tongue Weight.  
 Gross Load Capacity When Used As A Weight Distribution Hitch: 5000 LBS. Trailer Weight & 500 LBS. Tongue Weight.  
**\*\*\*DO NOT EXCEED VEHICLE MANUFACTURER'S RECOMMENDED TOWING CAPACITY.\*\*\***

- \* No Trimming Required
- \* No Drilling Required



The instruction here is for your reference only. We strongly recommend the professional installer for best result. We are not responsible for any damage caused by the installation. Thank you for choosing our product!



## Hitch Installation Instruction

Part#	HT-R32991	Application	For 2007-2013 Acura MDX Without Full Size Spare
-------	-----------	-------------	---

Step	Description
1	Remove the muffler hanger to allow the exhaust to drop down. Remove spare tire and muffler heat shield to ease installation. <b>Note:</b> Retain heat shields and hardware for re-installation.
2	Raise hitch into position between frame rails and install fasteners as shown above.
3	Torque all 14mm fasteners to 126 lb-ft.
4	Re-install heat shield and spare tire (if removed), and re-attach muffler hangers.
<b>***Periodically Check The Receiver Hitch To Ensure That All Fasteners *** Are Tight &amp; All Structural Components Are Sound.</b>	

The instruction here is for your reference only. We strongly recommend the professional installer for best result. We are not responsible for any damage caused by the installation. Thank you for choosing our product!