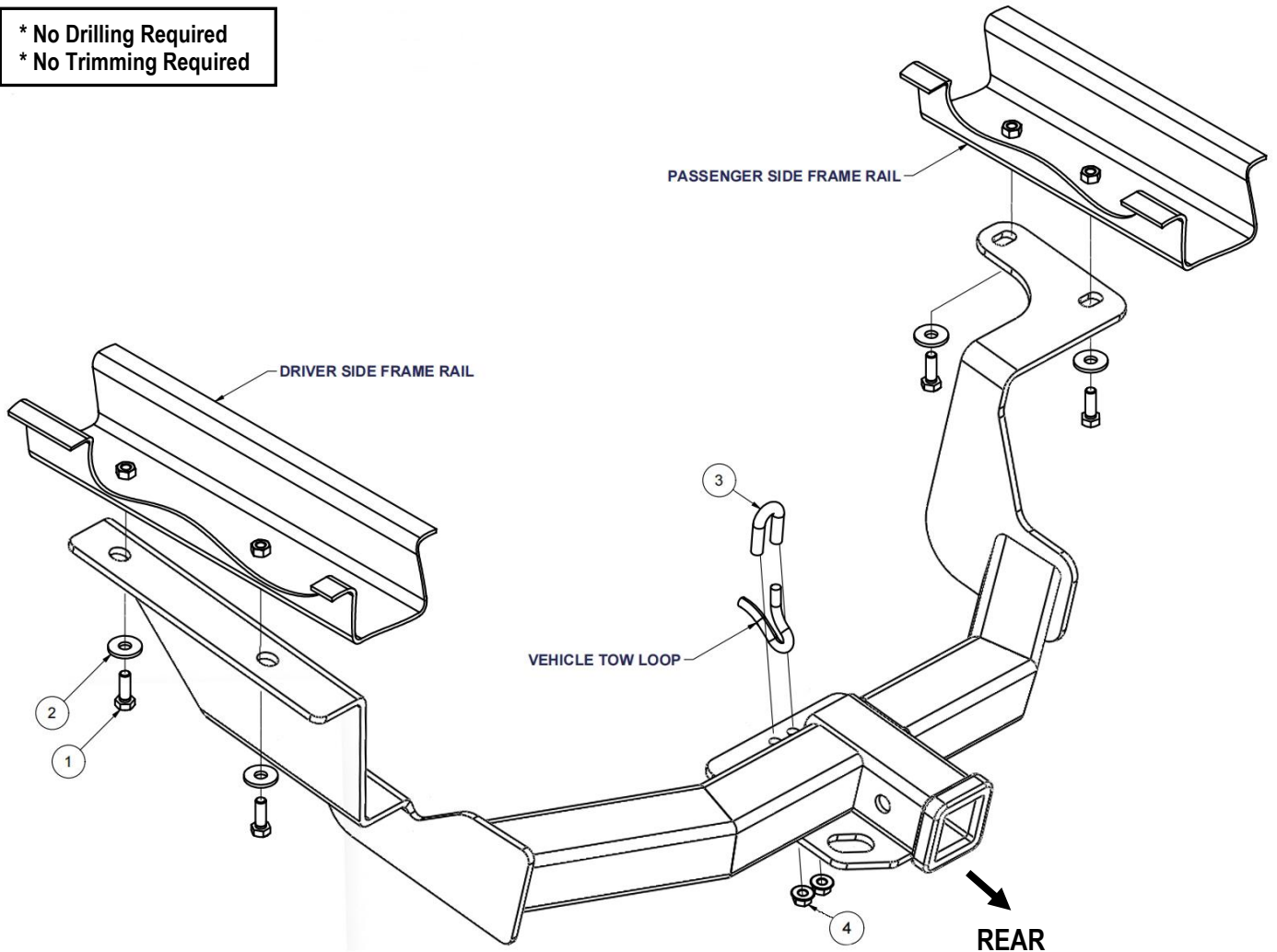


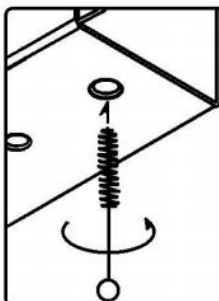
Part#	HT-R32610	Application	For 2007-2011 Honda CR-V					
-------	-----------	-------------	--------------------------	--	--	--	--	--

Hardware List	Item	Part Name	QTY	Description	Item	Part Name	QTY	Description
	1	Hex Bolts	4	M10X1.25-30	3	U-Bolt	1	M10X1.5-60
2	Conical Washers	4	M10	4	Hex Flange Nuts	2	M10X1.5	

Gross Load Capacity When Used As A Weight Carrying Hitch: 3500 LBS. Trailer Weight & 350 LBS. Tongue Weight.
*****DO NOT EXCEED VEHICLE MANUFACTURER'S RECOMMENDED TOWING CAPACITY.*****

* No Drilling Required
 * No Trimming Required





WELDNUT CLEANING

To remove debris from weldnuts in frame, spray lubricant or compressed air into hole. For heavy debris, use a small wire brush. (Be careful not to damage threads).

The instruction here is for your reference only. We strongly recommend the professional installer for best result. We are not responsible for any damage caused by the installation. Thank you for choosing our product!

Part#	HT-R32610	Application	For 2007-2011 Honda CR-V
-------	-----------	-------------	--------------------------

Step	Description
1	Lower exhaust, (2) hangers above muffler.
2	Place u-bolt into position through tow loop. Raise hitch into position, and install flange nuts onto u-bolt.
3	Install remaining fasteners as shown above.
4	Torque all M10 fasteners to 49 lb-ft.
5	Re-install exhaust hangers.

*****Periodically Check The Receiver Hitch To Ensure That All Fasteners ***
Are Tight & All Structural Components Are Sound.**

The instruction here is for your reference only. We strongly recommend the professional installer for best result. We are not responsible for any damage caused by the installation. Thank you for choosing our product!