



# Hitch Installation Instruction

REV.20231101

Part#	HT-R31746	Application	For Lexus GX 460					
-------	-----------	-------------	------------------	--	--	--	--	--

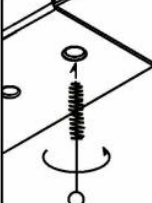
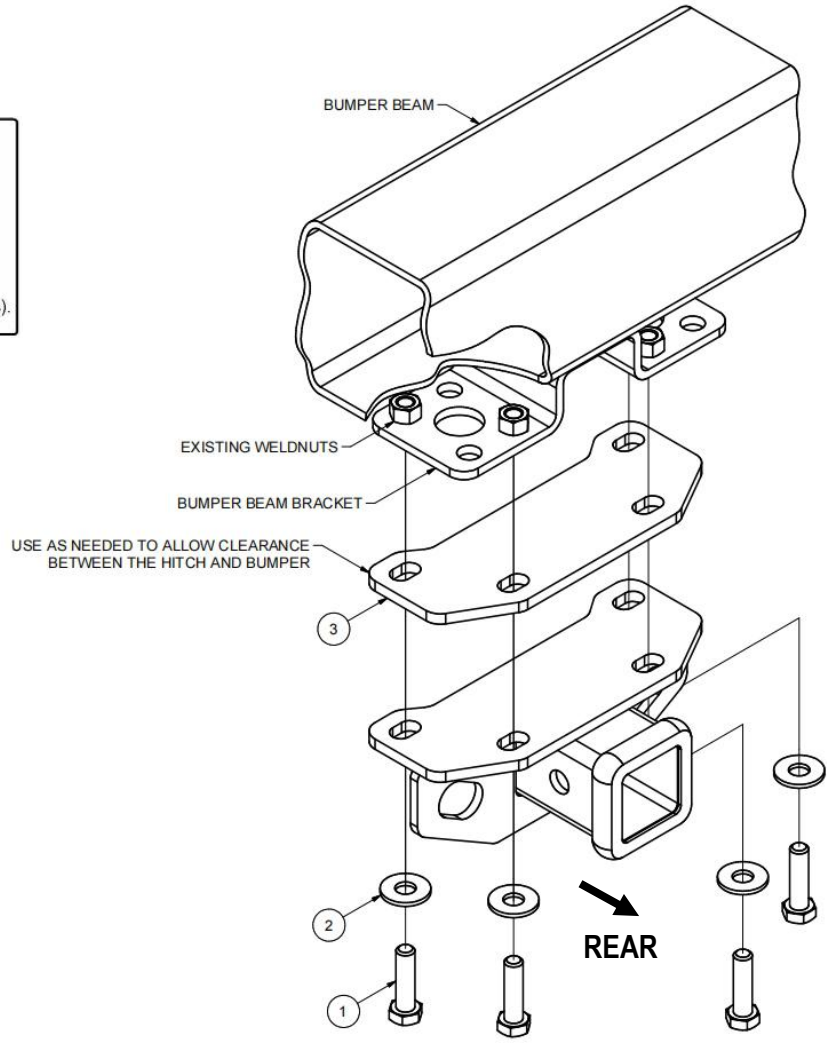
Hardware List	Item	Part Name	QTY	Description	Item	Part Name	QTY	Description
	1	Hex Bolts	4	M12 X1.25-35	3	Top Plate	1	
	2	Conical Washer	4	M12				

Gross Load Capacity When Used As A Weight Carrying Hitch: 5000 LBS. Trailer Weight & 500 LBS. Tongue Weight.  
 Gross Load Capacity When Used As A Weight Distribution Hitch: 5000LBS. Trailer Weight & 500 LBS. Tongue Weight  
**\*\*\*DO NOT EXCEED VEHICLE MANUFACTURER'S RECOMMENDED TOWING CAPACITY.\*\*\***

**\* No Drilling Required**

**WELDNUT CLEANING**

To remove debris from weldnuts in frame, spray lubricant or compressed air into hole. For heavy debris, use a small wire brush. (Be careful not to damage threads).

Step	Description
1	If needed, lower the spare tire and shift it towards the front of the vehicle and raise back up to create additional space for hitch installation.
2	Raise hitch against the bottom of the bumper bracket and align the holes with the weld-nuts. If applicable, insert the provided top plate between the hitch and the bumper bracket and align the holes with the hitch holes and weld nuts.
3	Secure hitch in position using M12X1.25-35mm bolts and 1/2" conical washers. (SEE WELDNUT CLEANING)
4	Tighten all fasteners. <b>Torque all M12 hardware to 56-58 ft-lbs.</b>

\*\*\*Periodically Check The Receiver Hitch To Ensure That All Fasteners \*\*\*  
 Are Tight & All Structural Components Are Sound.

The instruction here is for your reference only. We strongly recommend the professional installer for best result. We are not responsible for any damage caused by the installation. Thank you for choosing our product!