



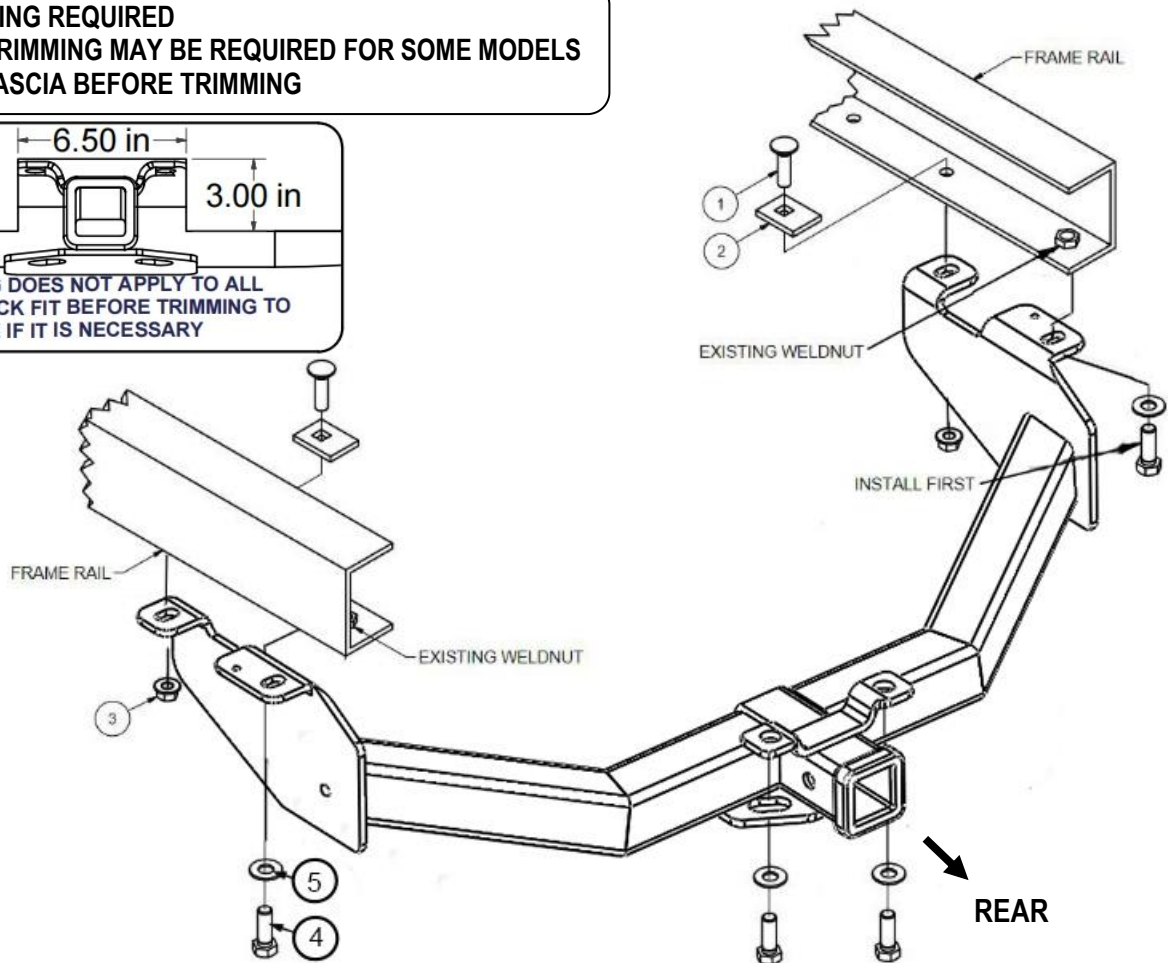
# Hitch Installation Instruction

Part#	HT-R31695	Application	For: 1999-2013 Chevrolet Silverado 1500\2001-2007 Chevrolet Silverado 1500 HD\1999-2013 Chevrolet Silverado 2500\1999-2013 GMC Sierra 1500\2001-2007 GMC Sierra 1500 HD\1999-2004 GMC Sierra 2500 (Except SS Model)
-------	-----------	-------------	---

Hardware List	Item	Part Name	QTY	Description	Item	Part Name	QTY	Description
	1	Carriage Bolts	2	M12*1.75-45	4	Hex Bolts	4	M14*2-40
	2	Spacer	2	Square hole spacer	5	Conical Washer	4	M14
	3	Flange Nut	2	M12*1.75				

Gross Load Capacity When Used As A Weight Carrying Hitch: 6000 LBS. Trailer Weight & 600 LBS. Tongue Weight.  
 Gross Load Capacity When Used As A Weight Distribution Hitch: 10000 LBS. Trailer Weight & 1000 LBS. Tongue Weight.  
**\*\*\*DO NOT EXCEED VEHICLE MANUFACTURER'S RECOMMENDED TOWING CAPACITY.\*\*\***

**\*NO DRILLING REQUIRED**  
**\*FASCIA TRIMMING MAY BE REQUIRED FOR SOME MODELS**  
**\*CHECK FASCIA BEFORE TRIMMING**



Step	Description
1	Lower spare tire and remove the spare tire and exiting M14 hex bolts from each frame rail.
2	Raise and secure hitch to the existing welded nuts on vehicle with hex bolts and washers as shown. (Leave bolts loose.)
3	Secure the rear holes of hitch to frame rail with carriage bolts, spacers and flange nuts as shown.
4	<b>Torque rear M14 bolt first to 126 ft-lbs and M12 fasteners to 86 ft-lbs.</b>
5	Reinstall spare tire removed in step (1).

**\*\*\*Periodically Check The Receiver Hitch To Ensure That All Fasteners \*\*\*  
 Are Tight & All Structural Components Are Sound.**

The instruction here is for your reference only. We strongly recommend the professional installer for best result. We are not responsible for any damage caused by the installation. Thank you for choosing our product!