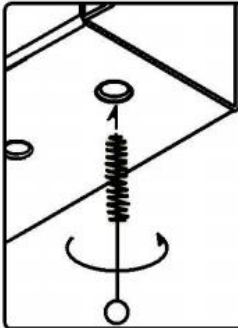


Part#	HT-R31681		Application	For 1996-2005 Toyota Rav4				
Hardware List	Item	Part Name	QTY	Description	Item	Part Name	QTY	Description
	1	Hex Bolts	4	M12X1.25-50	2	Conical Washers	4	M12

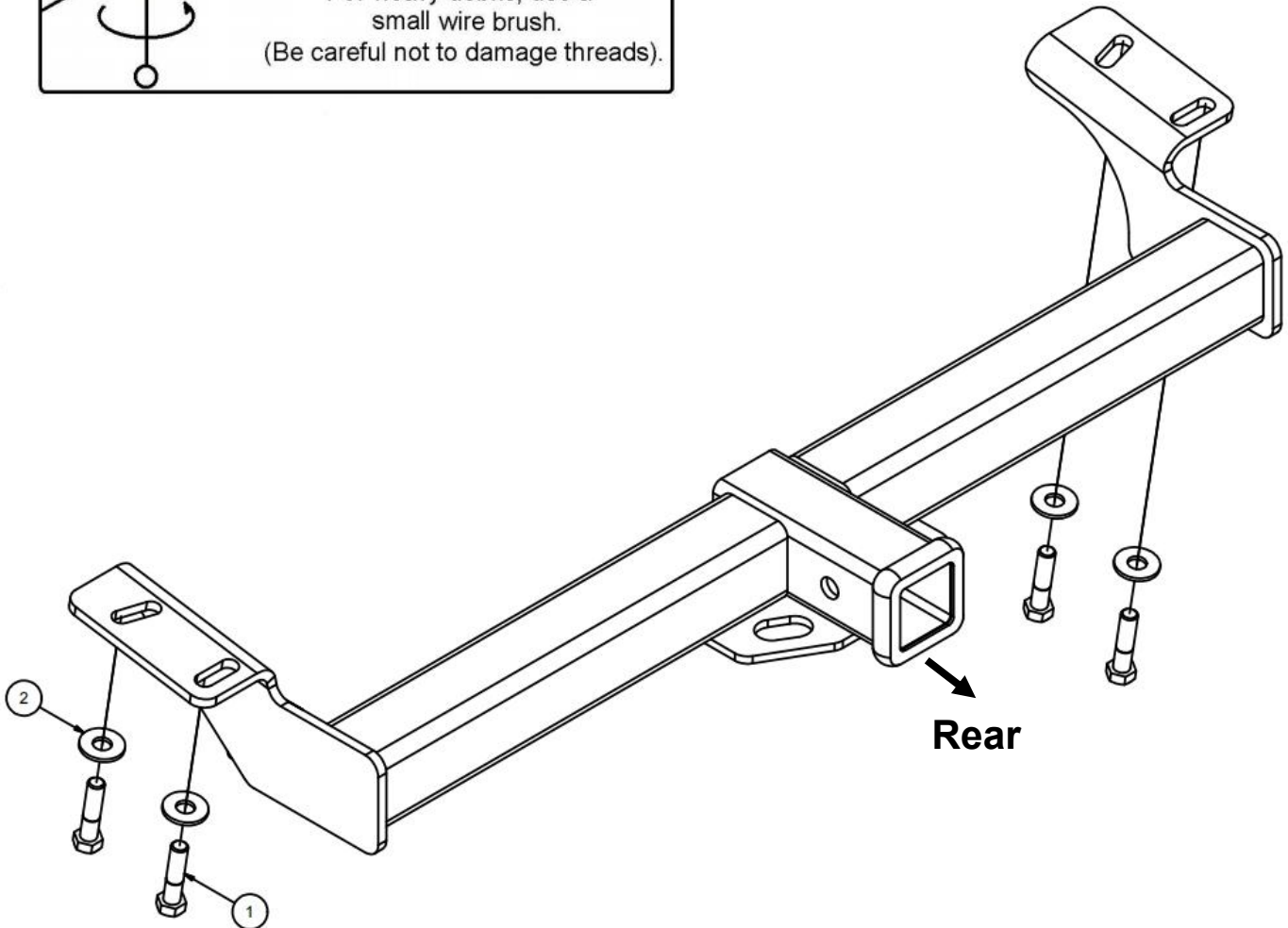
Gross Load Capacity When Used As A Weight Carrying Hitch: 4000 LBS. Trailer Weight & 400 LBS. Tongue Weight.  
**\*\*\*DO NOT EXCEED VEHICLE MANUFACTURER'S RECOMMENDED TOWING CAPACITY.\*\*\***

- \* No Drilling Required
- \* No Trimming Required



**WELDNUT CLEANING**

To remove debris from weldnuts in frame, spray lubricant or compressed air into hole. For heavy debris, use a small wire brush. (Be careful not to damage threads).



The instruction here is for your reference only. We strongly recommend the professional installer for best result. We are not responsible for any damage caused by the installation. Thank you for choosing our product!

Part#	HT-R31681	Application	For 1996-2005 Toyota Rav4
Step	Description		
1	Remove tow hooks if present.		
2	Remove the two rearmost M12 fasteners from the vehicle frame. (both sides)		
3	Raise the hitch into position and loosely reinstall the two M12 fasteners.		
4	Tighten all fasteners. Torque M12 fastener to 86 ft-lbs.		
<b>***Periodically Check The Receiver Hitch To Ensure That All Fasteners ***                  Are Tight &amp; All Structural Components Are Sound.</b>			

The instruction here is for your reference only. We strongly recommend the professional installer for best result. We are not responsible for any damage caused by the installation. Thank you for choosing our product!