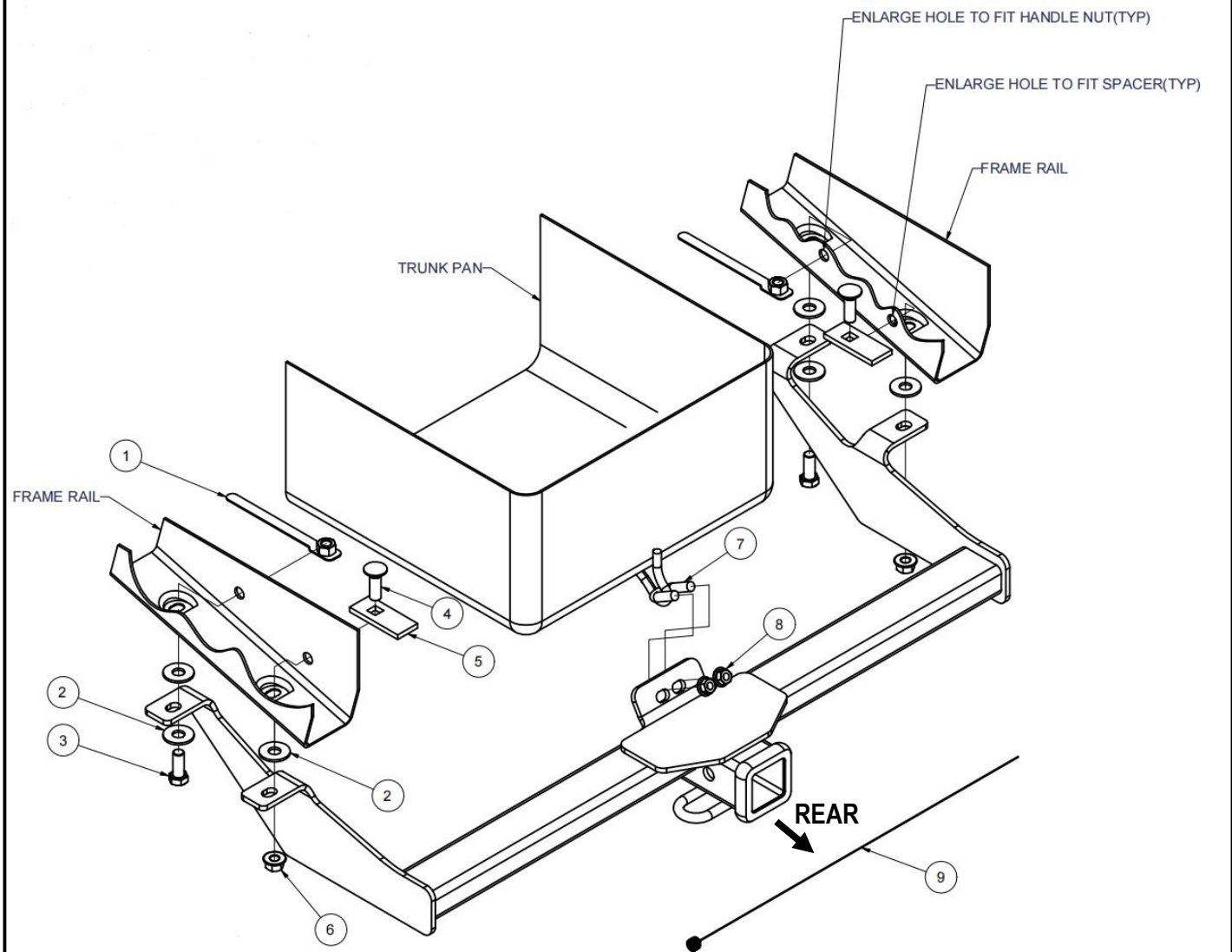


Part#	HT-R31531	Application	For 2003-2011 Honda Element (Excluding SC)				
-------	-----------	-------------	--	--	--	--	--

Hardware List	Item	Part Name	QTY	Description	Item	Part Name	QTY	Description
	1	Handle Nut	2	M12X1.75	6	Hex Flange Nuts	2	M12X1.75
	2	Washers	6	M12	7	U-Bolt	1	M10X1.5-52
	3	Hex Bolts	2	M12X1.75-35	8	Hex Flange Nuts	2	M10X1.5
	4	Carriage Bolts	2	M12X1.75-40	9	Fishwire	1	
	5	Spacers	2	With SQ Hole				

Gross Load Capacity When Used As A Weight Carrying Hitch: 3500 LBS. Trailer Weight & 350 LBS. Tongue Weight.
*****DO NOT EXCEED VEHICLE MANUFACTURER'S RECOMMENDED TOWING CAPACITY.*****

*** No Trimming Required**
*** Drilling (Enlarge Holes) Required**



The instruction here is for your reference only. We strongly recommend the professional installer for best result. We are not responsible for any damage caused by the installation. Thank you for choosing our product!

Part#	HT-R31531	Application	For 2003-2011 Honda Element (Excluding SC)
-------	-----------	-------------	--

Step	Description
1	Enlarge holes in frame rails as shown.
2	Insert handle nut into hole as shown. Bending is required, handle end will stick out of existing frame rail hole.
3	Fishwire spacer through existing frame rail hole as shown.
4	Raise hitch into position and align holes.
5	Secure hitch to frame with remaining hardware.
6	Torque all M10 hardware to 31 lb-ft. and all M12 hardware to 86 lb-ft.
***Periodically Check The Receiver Hitch To Ensure That All Fasteners *** Are Tight & All Structural Components Are Sound.	

The instruction here is for your reference only. We strongly recommend the professional installer for best result. We are not responsible for any damage caused by the installation. Thank you for choosing our product!