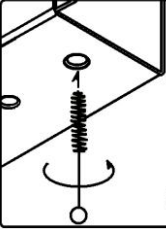


Part#	HT-R31406	Application	For 2004-2007 Nissan TITAN (XE/LE/SE) \2008-2015 Nissan TITAN (PRO-4X/SV/SL/S)					
-------	-----------	-------------	--	--	--	--	--	--

Hardware List	Item	Part Name	QTY	Description	Item	Part Name	QTY	Description
	1	Conical Washers	6	M12	2	Hex Bolts	6	M12X1.25-40

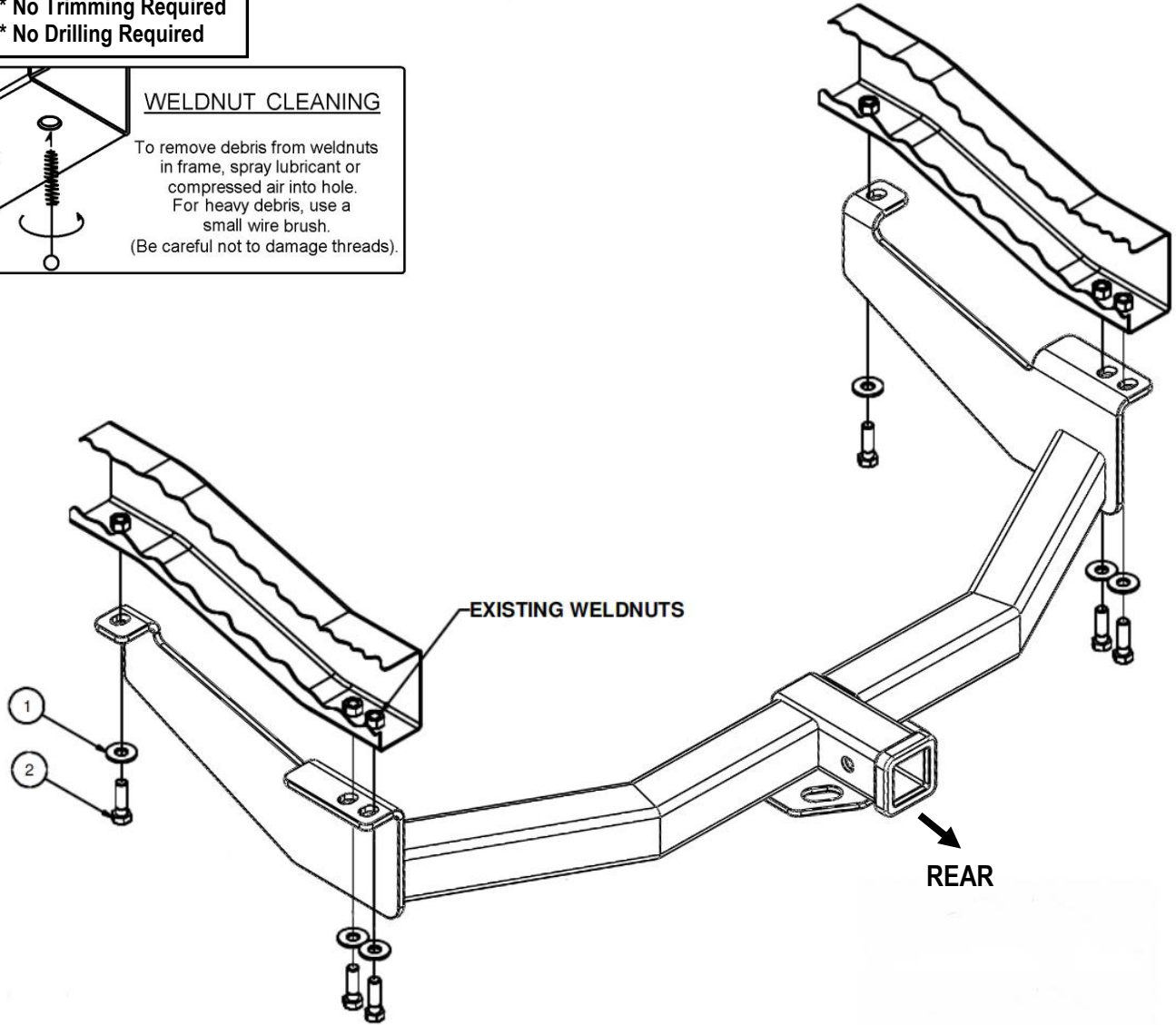
Gross Load Capacity When Used As A Weight Carrying Hitch: 6000 LBS. Trailer Weight & 600 LBS. Tongue Weight.
 Gross Load Capacity When Used As A Weight Distribution Hitch: 10000 LBS. Trailer Weight & 1000 LBS. Tongue Weight.
*****DO NOT EXCEED VEHICLE MANUFACTURER'S RECOMMENDED TOWING CAPACITY.*****

*** No Trimming Required
 * No Drilling Required**



WELDNUT CLEANING

To remove debris from weldnuts in frame, spray lubricant or compressed air into hole. For heavy debris, use a small wire brush. (Be careful not to damage threads).



Step	Description
1	Before installing hitch remove tow hooks, if present on vehicle.
2	Raise hitch into position. Fasten hitch as shown by threading hex bolts and conical washers into existing weld nuts.
3	Torque M12 fasteners to 86 lb.-ft.

*****Periodically Check The Receiver Hitch To Ensure That All Fasteners ***
 Are Tight & All Structural Components Are Sound.**

The instruction here is for your reference only. We strongly recommend the professional installer for best result. We are not responsible for any damage caused by the installation. Thank you for choosing our product!