




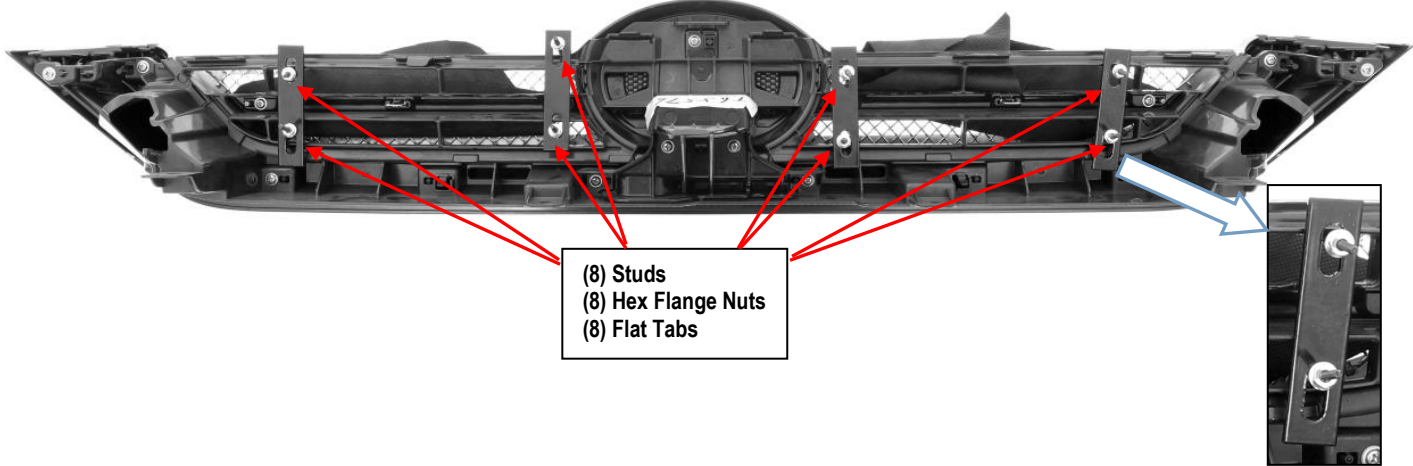

PATENT PRODUCT Grille Installation Instruction

Rev. 20220901

Part#	T75576T&H	Application	For 2020-UP Toyota 4Runner Not For Limited Edition
--------------	-----------	--------------------	--

Parts List	Item	Part Name	QTY	Description	Item	Part Name	QTY	Description
	#1	Mesh Grille	2	Stainless Steel	#3	Hex Flange Nuts	8	#6
	#2	Studs	8	#6x3"-32	#4	Flat Tabs	4	

Install Notes: Overlay Replacement Drill Cut

Step	Description	illustration
1	Identify the grille & hardware with parts list.	
2	Optional: pop hood, remove the black plastic cover (on top of OEM grille) from vehicle. If you are still unable to access the rear, remove the grille shell according to factory manual.	
3	Thread a Stud in each nut welded to the grille. From the rear, place a Tab on each Stud. Now thread a Hex Flange Nut on each Stud.	
		
4	Make sure the insert is centered and tighten the hardware.	
5	Reinstall the plastic shroud with the fasteners removed in Step 2.	
6	Installation completed.	

The instruction here is for your reference only. We strongly recommend the professional installer for best result. We are not responsible for any damage caused by the installation. Thank you for choosing our product!